



N5

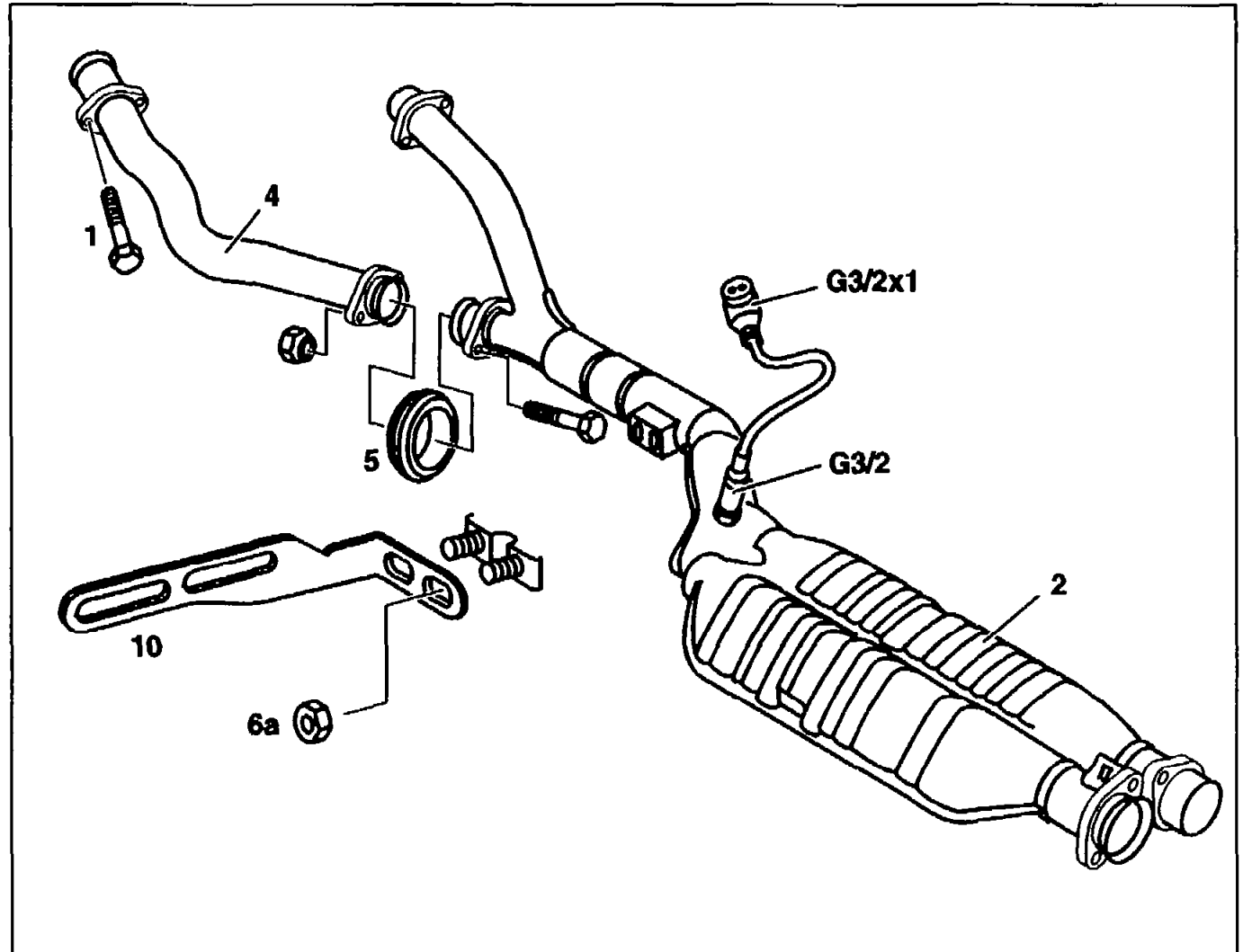
AR49.10-P-5531E

Removing and installing three-way catalytic converter or front exhaust system

4.5.95

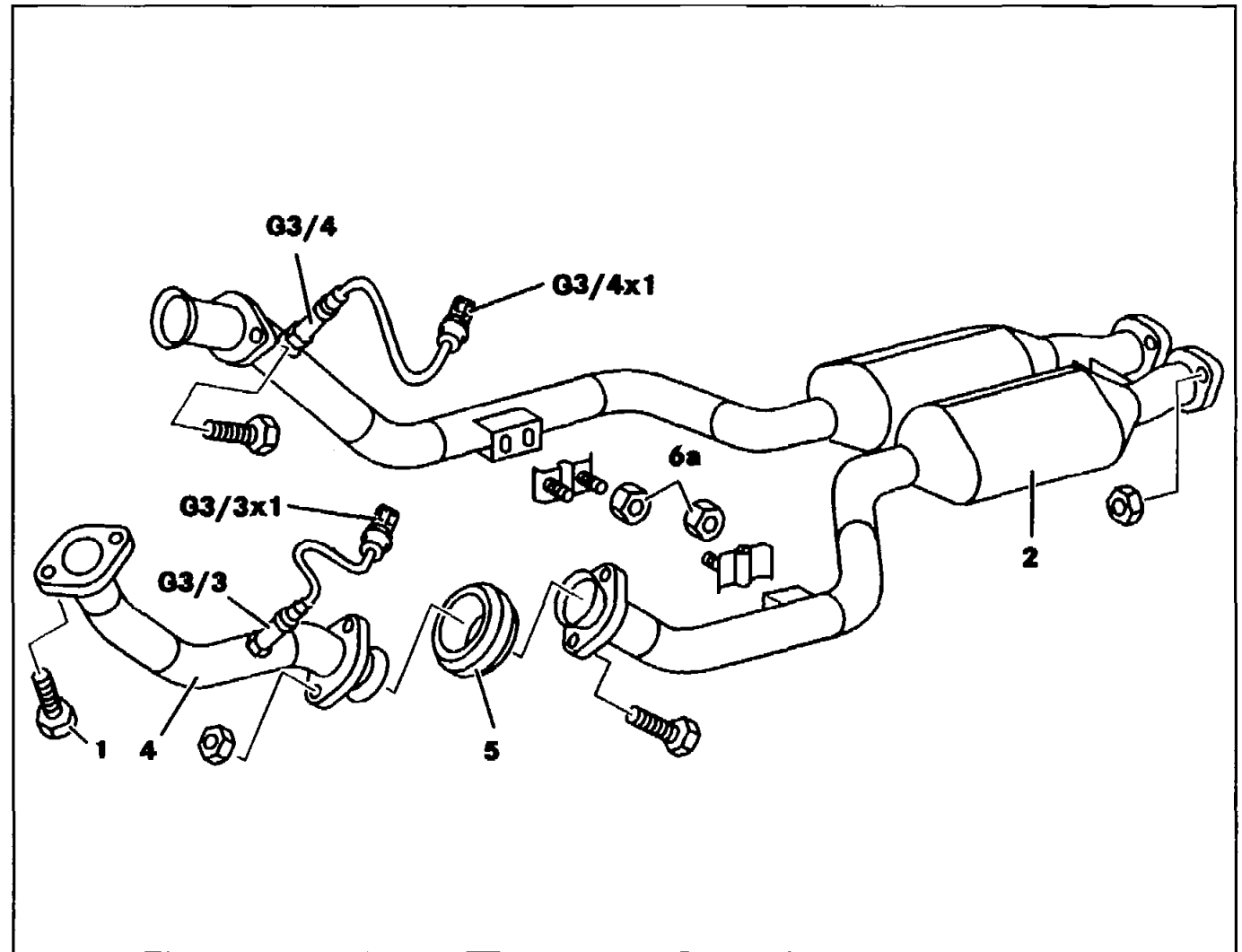
ENGINE 119.97/981/982

Engine 119.97












Engine 119.981/982



P49.10-0233-06

	Removal, installation		
1	Take off bottom engine compartment panel and fit on		



2	Remove exhaust system downstream of flanged connection, install	Model 124.03 Model 129 Model 140	AR49.10-P-7280EA O6 AR49.10-P-7280FA C7 AR49.10-P-7280FB F7
3	Unplug oxygen sensor connectors (G3/2x1 or G3/3x1, G3/4x1)		
4	Unscrew bolts (1) at flanged connection of catalytic converter/exhaust manifold	If bolts do not turn easily or if thread is damaged: ↓ replace rivet nuts in exhaust manifold 	AR49.10-P-5531-01DA F17 BA14.10-P-1002-01B
5	Detach flanged connections at cross pipe (4)		BA49.10-P-1003-01A
6	Unscrew nuts (6a) at the carrier (10) and take off catalytic converter (2)  BT Catalytic converter coating modified	Engine 119.97	BT49.10-P-0001-01A O17
7	Unscrew bolts (1) at flanged connection of cross pipe/exhaust manifold		BA14.10-P-1002-01B
8	Unscrew oxygen sensor (G3/2 or G3/3, G3/4)	 Installation: coat thread of oxygen sensor with hot lubricating paste  	BR00.45-P-1006-06A BA14.00-P-1001-01A 000 589 71 03 00



	Checking		
9	Check whether flanges, sintered seal (5) can be re-used	replace, if necessary	
10	Install in the reverse order		

Nm Oxygen sensor

Number	Designation		Engine 119
BA14.00-P-1001-01A	Oxygen sensor to exhaust pipe/exhaust manifold	Nm	55

Nm Exhaust manifold

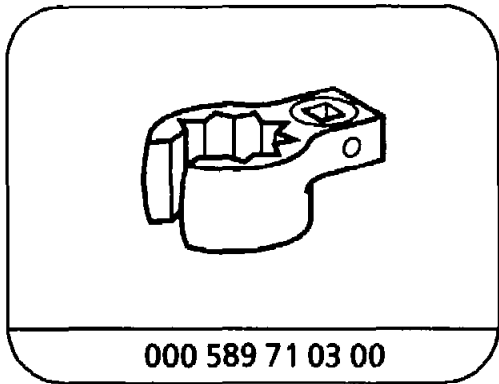
Number	Designation		Engine 119
BA14.10-P-1002-01B	Flanged connection of exhaust manifold or front exhaust pipes	Nm	20

Nm Exhaust system

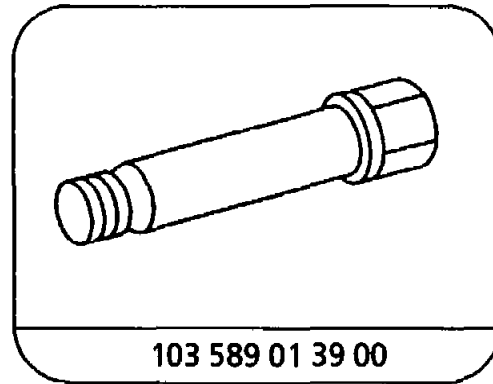
Number	Designation		Engine 119
BA49.10-P-1003-01A	Flanged connection to cross pipe/exhaust system	Nm	25

**Repair product**

Number	Designation	Order number
BR00.45-P-1006-06A	Hot lubricating paste	000 989 76 51



Box wrench socket, Delco R4 and A6



Caulking bolt