

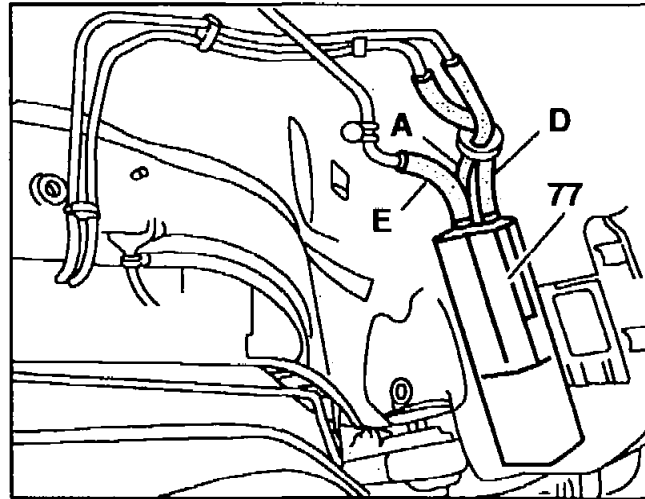


<p><b>P4</b> AR47.30-P-8212FB</p>	<p><b>Removing and installing activated charcoal canister</b></p>	<p><b>4.8.94</b></p>
-----------------------------------	---	----------------------

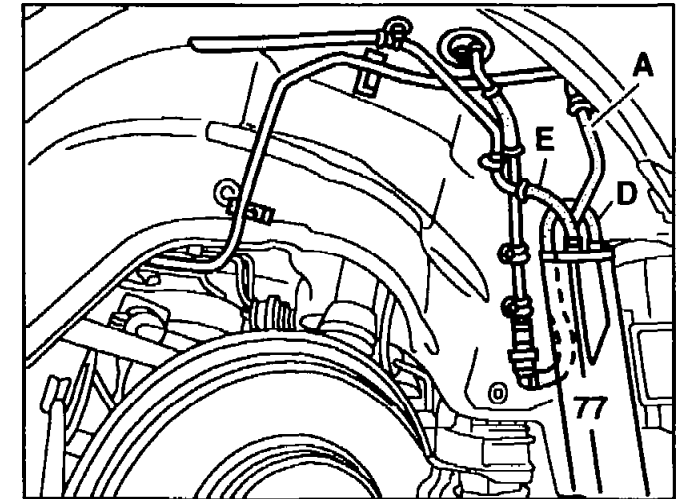
**MODEL 140 with ENGINE 119, 120**

*Left-hand illustration model 140,  
100-liter fuel tank*

*Right-hand illustration model 140,  
90-liter fuel tank*



P47.30-0246-01

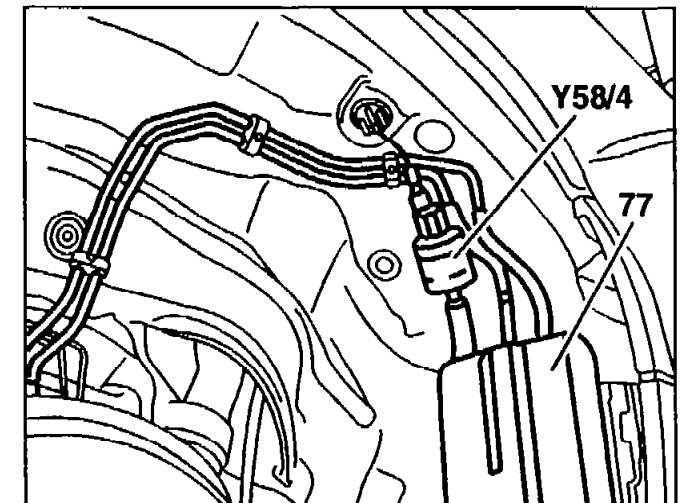


P47.30-0247-01

**Model 140 (USA)**

*Y58/4 Activated charcoal canister shut-off valve*

*77 Activated charcoal canister*



P47.30-0287-01



	<b>Removal, installation</b>		
	Risk of explosion	Observe accident prevention regulations!	
1	Remove rear left inner fender		RA88-130
2	Disconnect pipes at activated charcoal canister (77)  Connection diagram of evaporative emission control system	Pipes (A, D, E)  Engine 119.97  Engine 119.98  Engine 120.980/981  Engine 120.982/983	  AR47.30-P-8212-01EA <b>D16</b>  AR47.30-P-8212-01EB <b>G16</b>  AR47.30-P-8212-01FA <b>K16</b>  AR47.30-P-8212-01FB <b>N16</b>
3 	Remove activated charcoal canister (77)  Activated charcoal canister enlarged	Release upward  Model 140	  BT47.30-P-0001-01A <b>N17</b>
4	Install in the reverse order		