

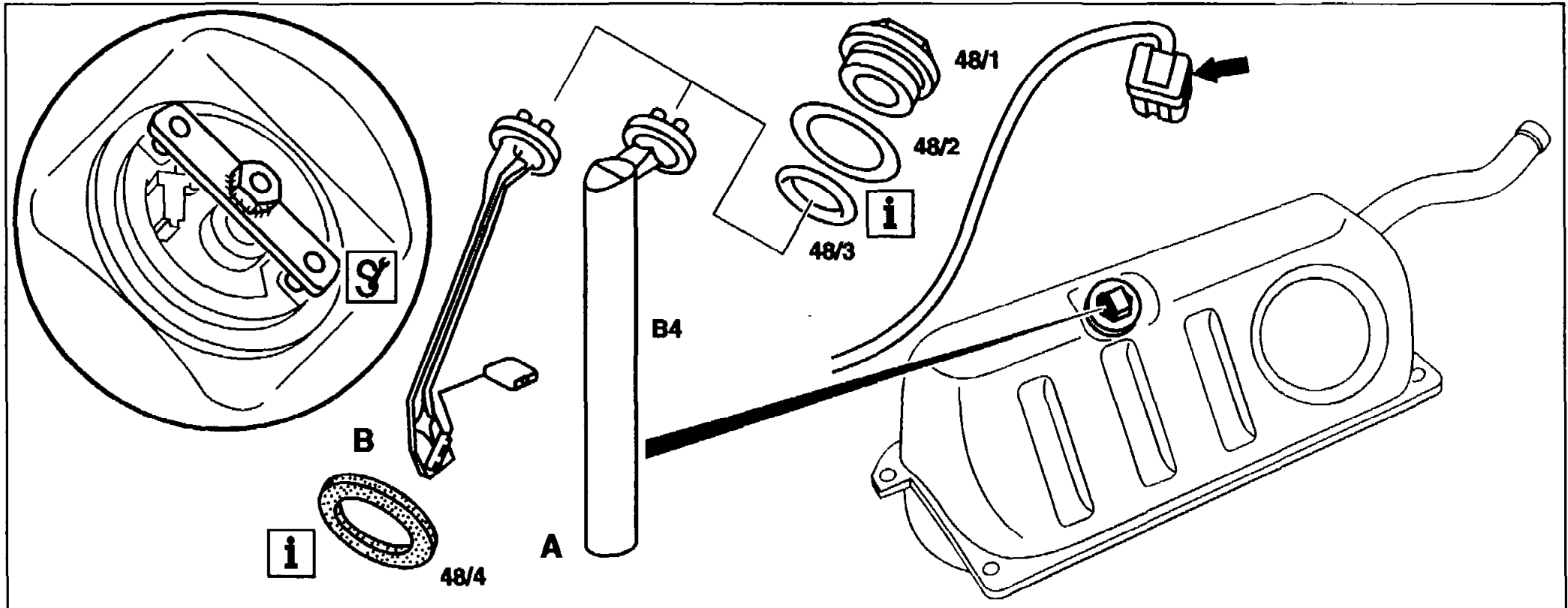
02

AR47.10-P-7000FB

Removing and installing fuel gauge sender

27.7.94

MODEL 140



P47.10-0291-08

48/1 Sealing flange
 48/2 O-ring

48/3 O-ring
 48/4 Seal

A Immersed pipe sender
 B Lever sender
 B4 Fuel gauge sender



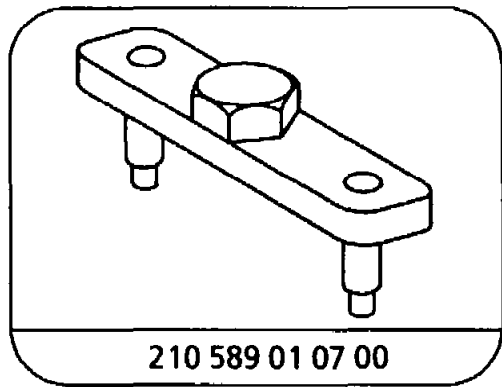
Removal, installation



⚠ Danger!	Risk of explosion from ignition. Risk of poisoning from inhaling and swallowing fuel. Risk of injury as a result of fuel coming into contact with skin and eyes.	No fire, naked flame or smoking. Pour fuels only into suitable and appropriately marked containers. Wear protective clothing when handling fuel.	AS47.00-Z-0001-01A
1	If fuel tank is full, pump out about 8 liters of fuel		AR47.10-P-4001B
2	Remove trim panel for fuel tank in trunk		RA68-480
3	Unplug coupling (arrow) for fuel gauge sender (B4)	Secure electric cable to prevent it slipping off	
4.1 BT	Unbolt sealing flange (48/1) and fuel gauge sender (B4) Lever sender replaces immersed pipe sender	Nm	BA47.10-P-1003-01B BT47.10-P-0001-01A H17
4.2	Open bayonet lock of fuel gauge sender (B4)	Ⓞ	210 589 01 07 00
5	Take out fuel gauge sender (B4)		
6	Install in the reverse order		
7	Replace O-rings (48/2, 48/3, 48/4)	i Oil to facilitate installation	

**Nm** Fuel tank

Number	Designation	Model 140
BA47.10-P-1003-01B	Sealing flange and fuel gauge sender to fuel tank	Nm 40



Pin wrench