



K2

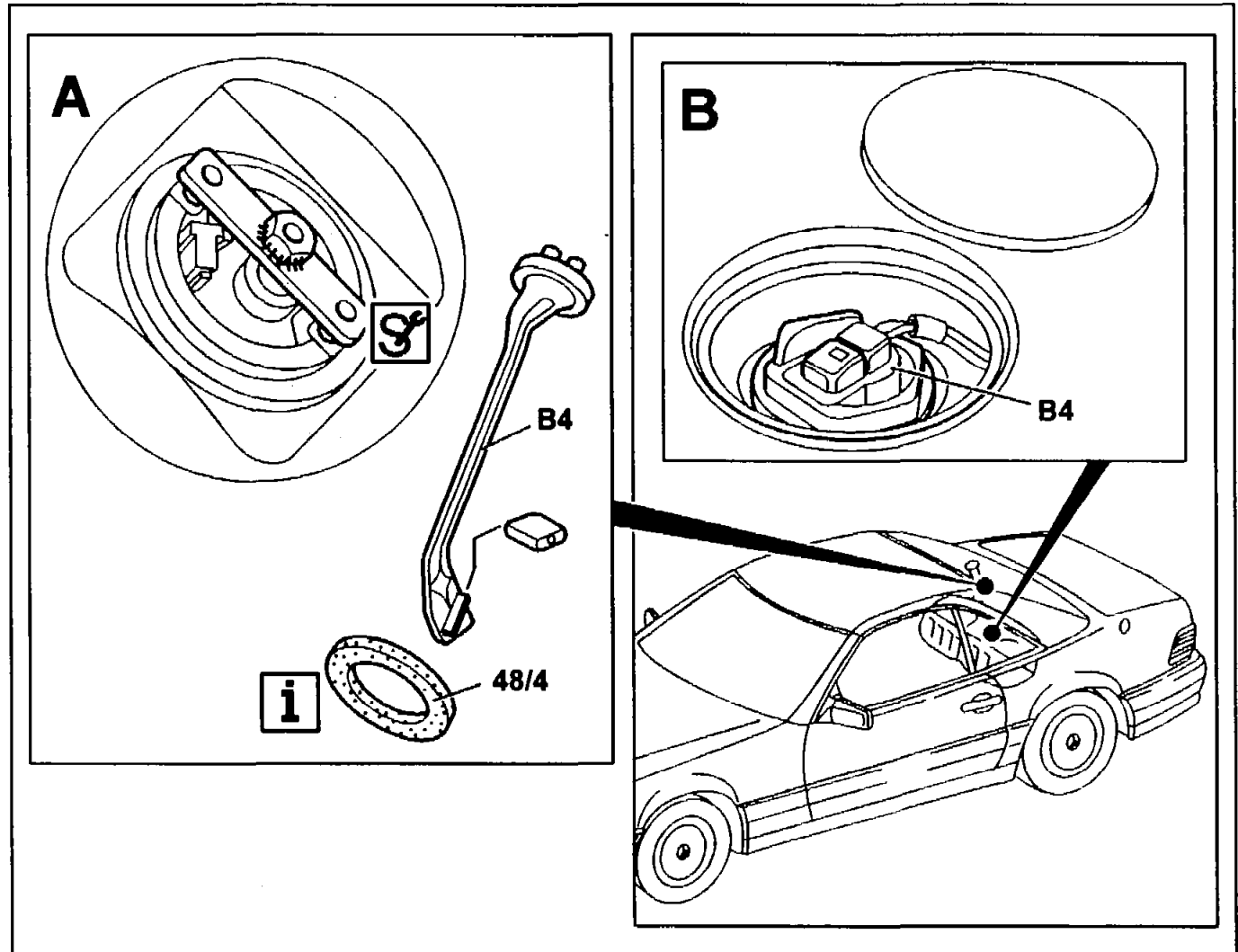
AR47.10-P-7000FA

## Removing and installing fuel gage sender

27.7.94

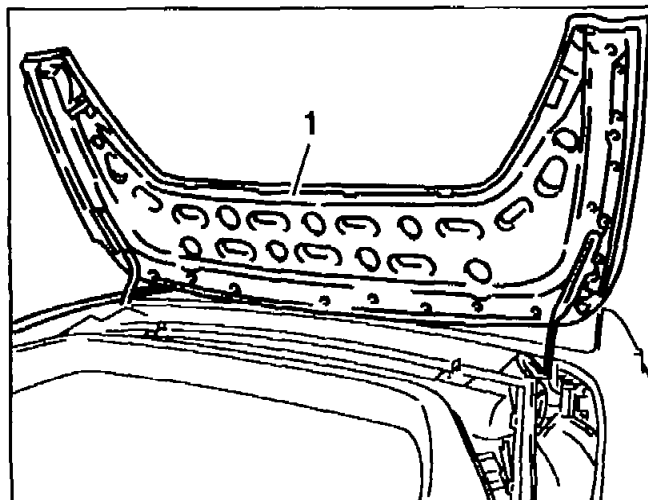
## MODEL 129

- A Lever sensor
- B Immersed tube sensor
- B4 Fuel gage sensor
- 48/4 Gasket

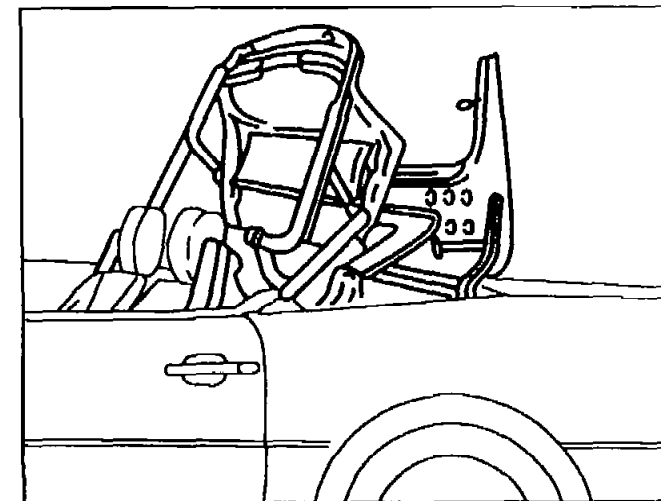




1 Soft top compartment cover



P47.10-0272-01



P47.10-0273-01

Operation no. of operation texts or standard texts and flat rates

Op. no.	Operation text
0047-7000	Removing and installing fuel gage sender (1), replacing according to condition
0047-7004	Removing and installing fuel gage sender (1), replacing according to condition (fuel tank removed)

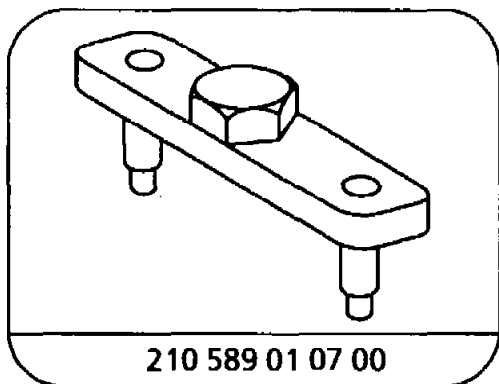
	<b>Removal, installation</b>		
<b>Danger!</b>	<b>Risk of explosion</b> from ignition <b>Risk of poisoning</b> from inhaling and swallowing fuel. <b>Risk of injury</b> as a result of fuel coming into contact with skin and eyes	No fire, naked flame or smoking Pour fuels only into suitable and appropriately marked containers Wear protective clothing when handling fuel	AS47.00-Z-0001-01A
1	If fuel tank is full, pump out about 8 liters of fuel	Except version  (code 491) as of 09/97	AR47.10-P-4001B



		Version  (code 491) as of 09/97	AR47.10-P-4001F
2	Unplug coupling (arrow) for fuel gage sender (B4)	Secure electric cable to prevent it slipping off	
3	Unbolt sealing flange and fuel gage sender (B4) <b>BT</b> Lever sensor replaces immersed tube sensor		BA47.10-P-1003-01B BT47.10-P-0001-01A <b>H17</b>
4	Take off hard top		
5	Close soft top far enough so that soft top is raised fully out of compartment and compartment cover (1) is still open		
6	Take out fuel gage sender (B4)		
7	Install in the reverse order		
8	Replace O-rings	Oil to facilitate installation	

## Fuel tank

Number	Designation	Model 129
BA47.10-P-1003-01B	Sealing flange and fuel gage sender to fuel tank	Nm 40



Pronged wrench