



N3

AR47.20-P-5820F

Removing and installing check valve for fuel pump

3.5.95

ENGINE 119.97, 120.980/981

- 52 Fuel delivery hose
- 53 Fuel suction hose
- 54a Cap nut
- 62 Copper seal
- 62a Copper seal
- 63 Check valve

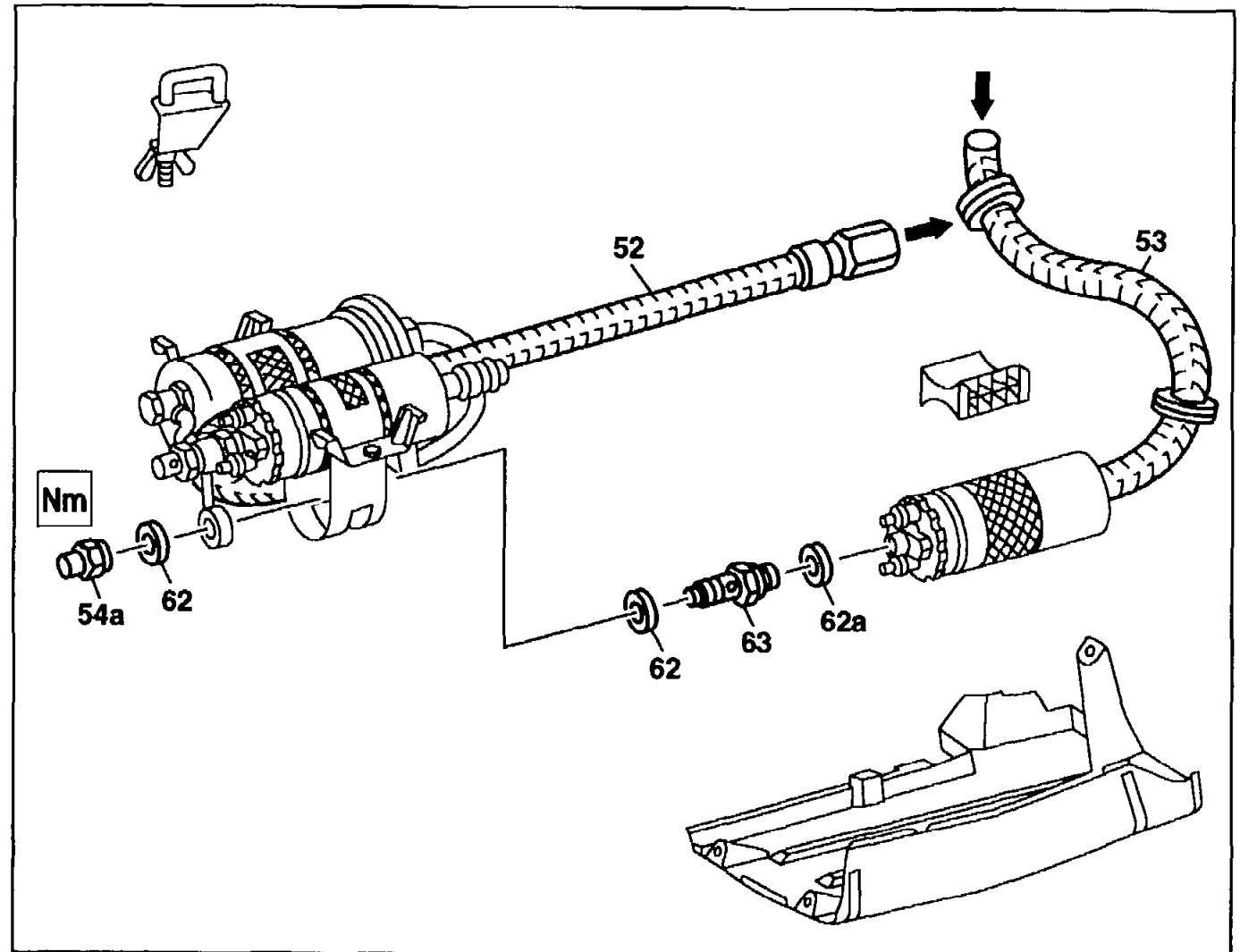





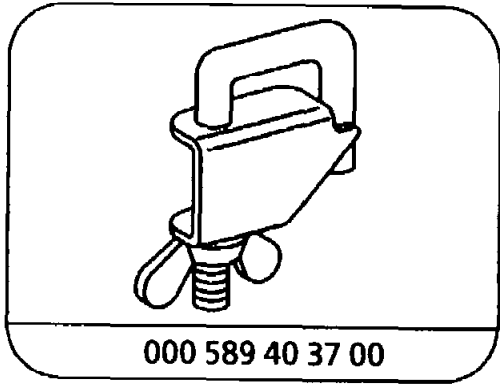


Fig. item, etc.	Work instructions		
	Risk of explosion	Pay attention to accident prevention regulations!	
53, 52  BT	Fuel suction hose, fuel delivery hose Screw spindle pump replaces double fuel pump unit	 pinch off	000 589 40 37 00 BT47.20-P-0001-01A J17
54a, 63	Cap nut, check valve	replace copper seals (62, 62a)  	BA47.20-P-1002-01A BA47.20-P-1003-01A

 Fuel pump

Number	Designation	Engine
		104, 119, 120
BA47.20-P-1002-01A	Cap nut of fuel pipe to fuel pump	Nm 27
BA47.20-P-1003-01A	Check valve to fuel pump	Nm 27



000 589 40 37 00

Clamp