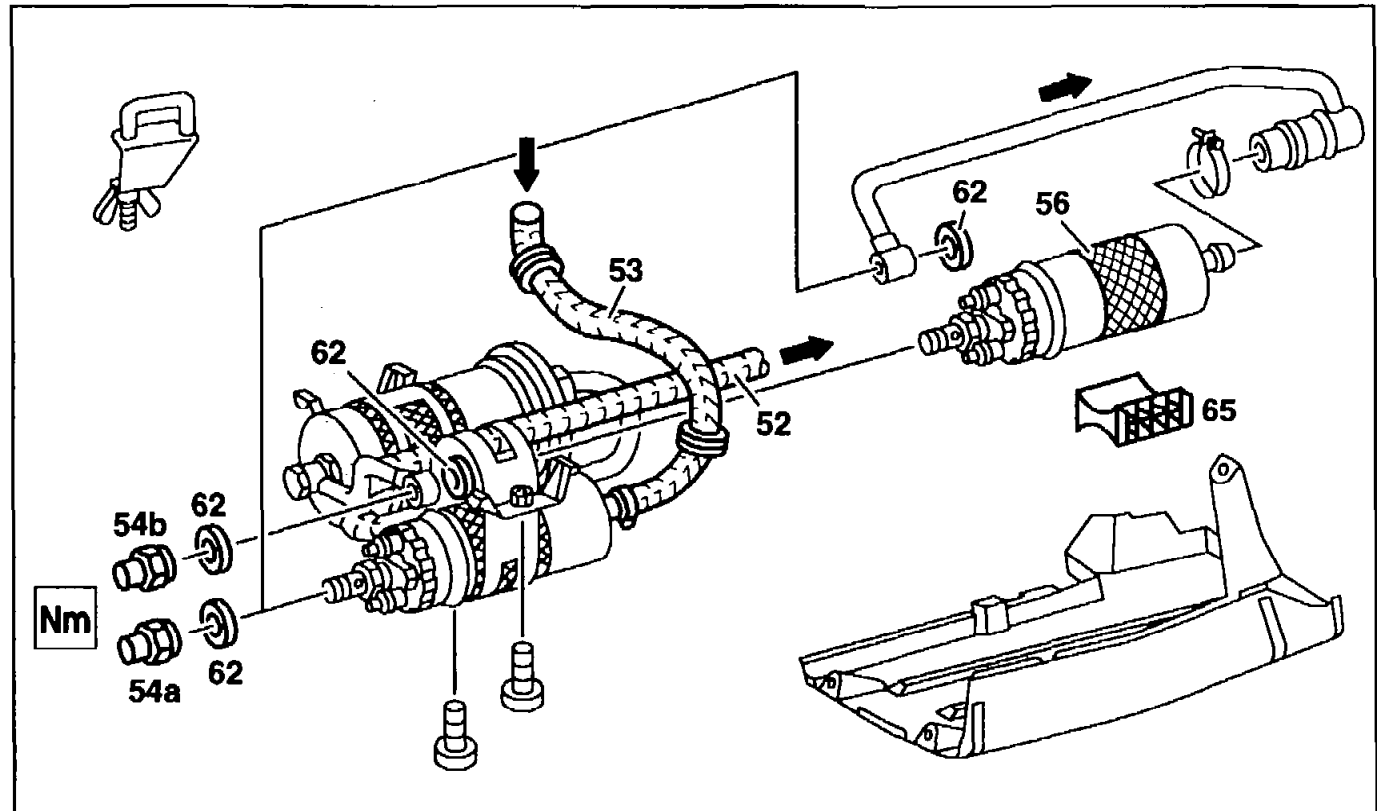


<p>K3 AR47.20-P-5713F</p>	<p>Removing and installing fuel pumps</p>	<p>13.6.94</p>
---------------------------	---	----------------

ENGINE 119.97, 120.980/981

(Fuel pump positioning: in front of rear axle)

- 52 Fuel delivery hose
- 53 Fuel suction hose
- 54a Cap nut
- 54b Cap nut
- 56 Plastic sleeve
- 62 Copper seal
- 65 Spacer element



P47.20-0227-05

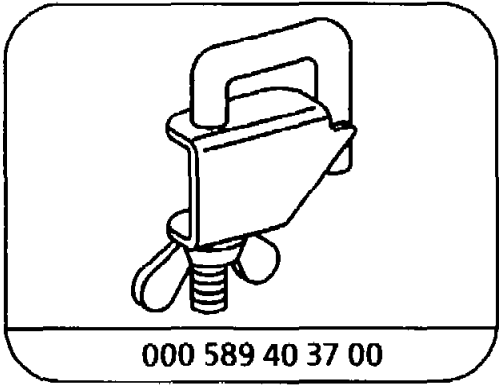
Fig. item, etc.	Work instructions		
<p>STOP</p>	<p>Risk of explosion</p>	<p>Pay attention to accident prevention regulations!</p>	



GF	Fuel pump survey	Engine 119, 120	GF47.20-P-7000-01A E18
52, 53	Fuel suction hose, fuel delivery hose	pinch off 	000 589 40 37 00
BT	Screw spindle pump replaces double fuel pump unit		BT47.20-P-0001-01A J17
54a, 54b	Cap nut	Replace copper seals (62)	BA47.20-P-1002-01A
56	Plastic sleeve	Examine, replace if necessary. The plastic sleeve must project on both sides of the bracket as contact corrosion may occur if direct contact exists between fuel pump and bracket.	
65	Spacer element	Pay attention to installation position	

Fuel pump

Number	Designation	Engine 104, 119, 120
BA47.20-P-1002-01A	Cap nut of fuel pipe to fuel pump	27



Clamp