



F3

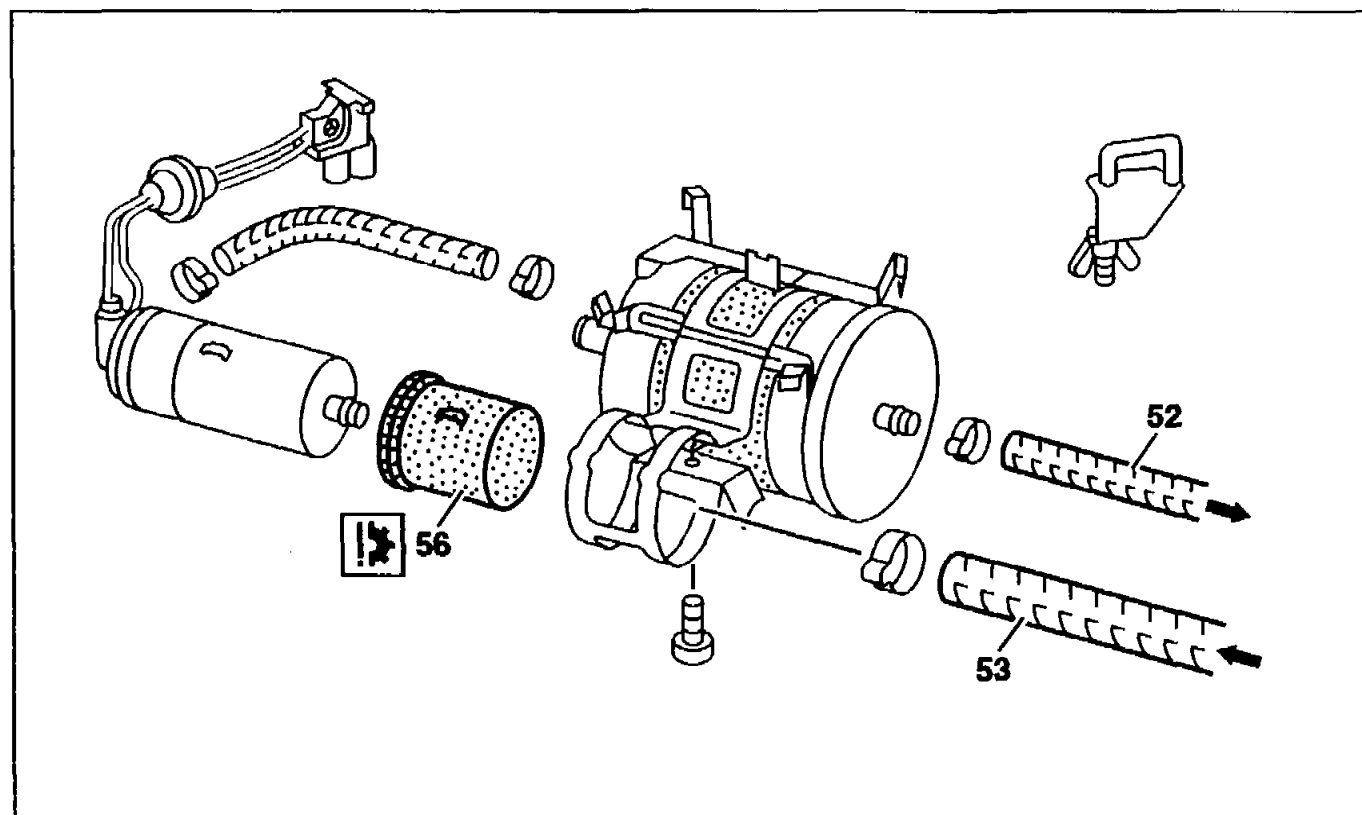
AR47.20-P-5713B

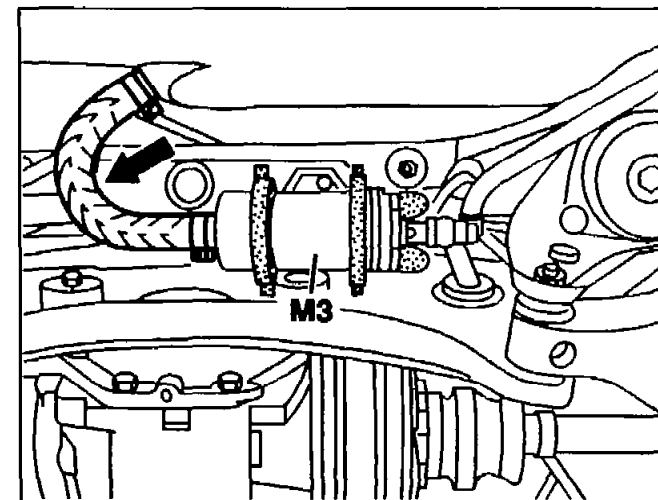
Removing and installing fuel pumps

16.12.94

ENGINE 104.945 /995, 111.921 /942 /943 /945 /946 /947 /970 /973 /974, 119.981 /982 /985, 120.982 /983

- 52 Fuel pressure hose
- 53 Fuel suction hose
- 56 Plastic sleeve



Model 210 T-model**M3 Fuel pump**

P47.20-0247-01

| Fig. item, etc. | Work instructions | | |
|------------------|---|--|-------------------------------|
| ⚠ Danger! | Risk of explosion from ignition. Risk of poisoning from inhaling and swallowing fuel. Risk of injury as a result of fuel coming into contact with skin and eyes. | No fire, naked flame or smoking. Pour fuels only into suitable and appropriately marked containers. Wear protective clothing when handling fuel. | AS47.00-Z-0001-01A |
| Arrow | Model 210 T-model | Do not pinch fuel suction hose at elbow | |
| ⓘ | Plastic sleeve (56) | check, replace if necessary. The plastic sleeve must project at both sides of the bracket as contact corrosion may occur if there is direct contact between fuel pump and the bracket. | |
| GF | Fuel pump survey | | GF47.20-P-0001-01A B18 |



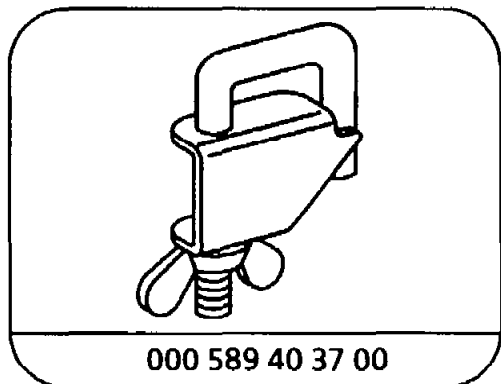
| | | | |
|--------------|---------------------------------------|---|--|
| 52, 53 | Fuel suction hose, fuel delivery hose | pinch off | 000 589 40 37 00 |
| 54a, 54b, 59 | Cap nut or banjo bolt | replace copper sealing rings (62) | BA47.20-P-1001-01A BA47.20-P-1002-01A BA47.20-P-1001-01B BA47.20-P-1004-01B |

 Fuel pump

| Number | Designation | Engine 104, 119, 120 |
|--------------------|--|----------------------------|
| BA47.20-P-1001-01A | Banjo bolt of fuel pipe to fuel pump or fuel filter | Nm 27 |
| BA47.20-P-1002-01A | Cap nut of fuel pipe to fuel pump | Nm 27 |

**Nm** Fuel pump

| Number | Designation | Engine 111 |
|--------------------|---|---------------|
| BA47.20-P-1001-01B | Banjo bolt of fuel pipe to fuel pump or fuel filter Nm | 27 |
| BA47.20-P-1004-01B | Cap nut of fuel pipe to fuel pump Nm | 27 |



Clamp