

F1

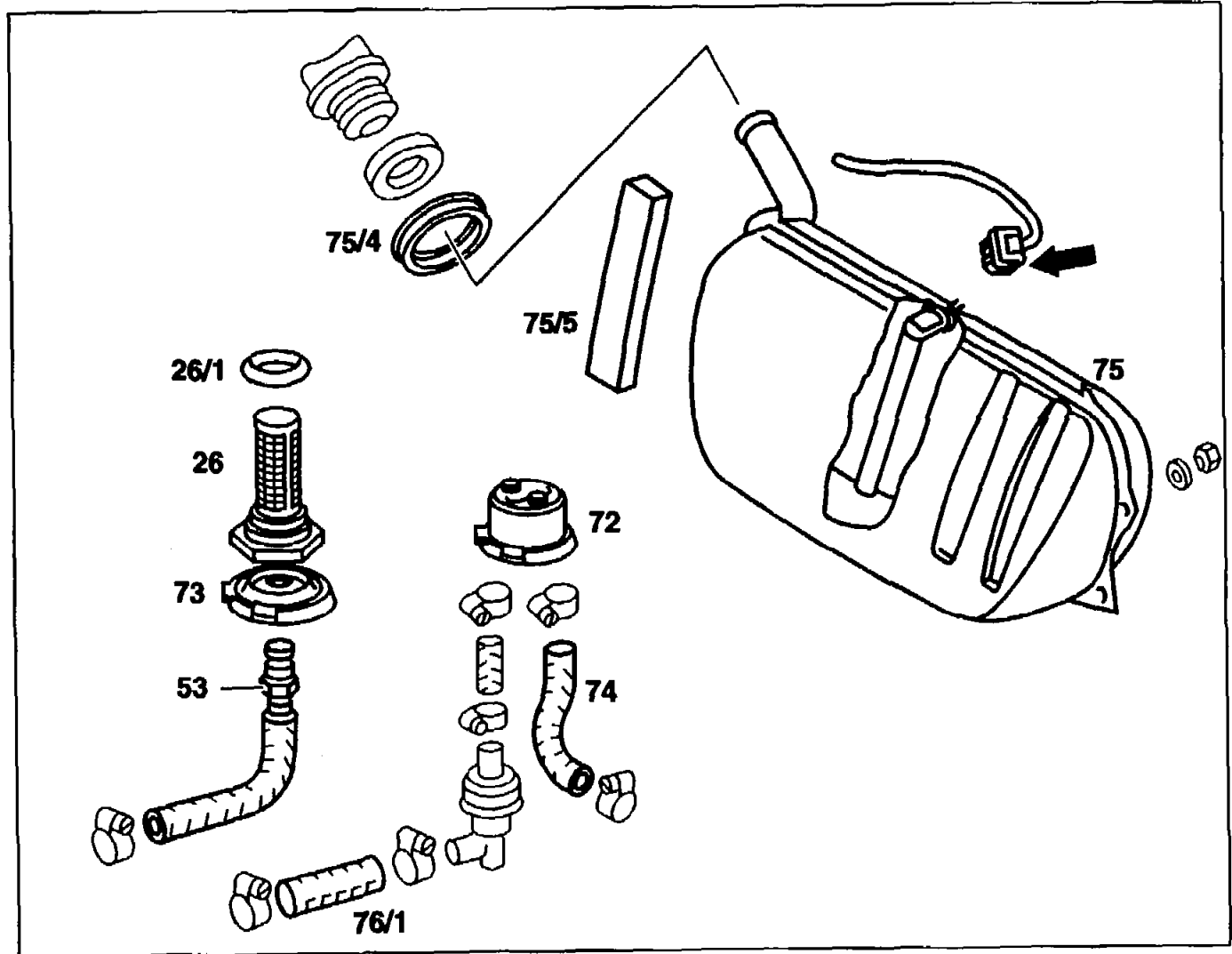
AR47.10-P-4100EA

Removing and installing fuel tank

10.8.94

MODEL 124.034/036

- 26 Fuel strainer
- 26/1 O-ring
- 53 Fuel hose at suction end with connection fitting
- 72 Cup seal
- 73 Cup seal
- 74 Fuel return hose
- 75 Fuel tank
- 75/4 Cup seal
- 75/5 Sound-deadening strip
- 76/1 Vent pipe





	Removal, installation		
	Risk of explosion	Pay attention to accident prevention regulations!	
1	Empty fuel tank (75)	Pump out fuel carefully so that no fuel remains in the tank 	BF47.10-P-1001-01A
2	Remove fuel tank trim and also left and right side trim of trunk		
3	Take off fuel hose at suction end (53), fuel return hose (74) and vent pipe (76/1)	Collect remaining fuel, seal connections 	BA47.10-P-1004-01B 000 589 71 03 00
4	Unscrew nuts of fuel tank (75)		
5	Take out fuel tank (75)	Check whether cup seals (72, 73, 75/4) can be re-used and are correctly fitted	
6	Examine sound deadening strip (75/5)	replace, if necessary. Stick on sound-deadening strip (self-adhesive)	
7	Remove fuel strainer (26)	Clean and check whether strainer can be re-used The splash pot in the fuel tank is prevented from turning by 2 bolts. It is attached with the fuel strainer (26)	

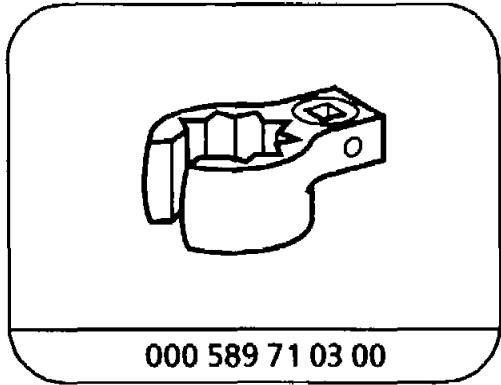
		Nm	BA47.10-P-1001-01B
8	Replace O-ring (26/1)	Oil to facilitate installation	
9	Install in the reverse order		

Nm Fuel tank

Number	Designation		Model 124.034/ 036/06
BA47.10-P-1001-01B	Fuel strainer in fuel tank	Nm	40
BA47.10-P-1004-01B	Fuel hose with connection fitting to fuel strainer	Nm	30

 Fuel tank

Number	Designation	Model 124.034/ 036		
BF47.10-P-1001-01A	Tank capacity	90		
	<table border="0"> <tr> <td>Total capacity</td> <td>liters</td> </tr> <tr> <td>Reserve capacity</td> <td>liters</td> </tr> </table>		Total capacity	liters
Total capacity	liters			
Reserve capacity	liters			



000 589 71 03 00

Box wrench socket