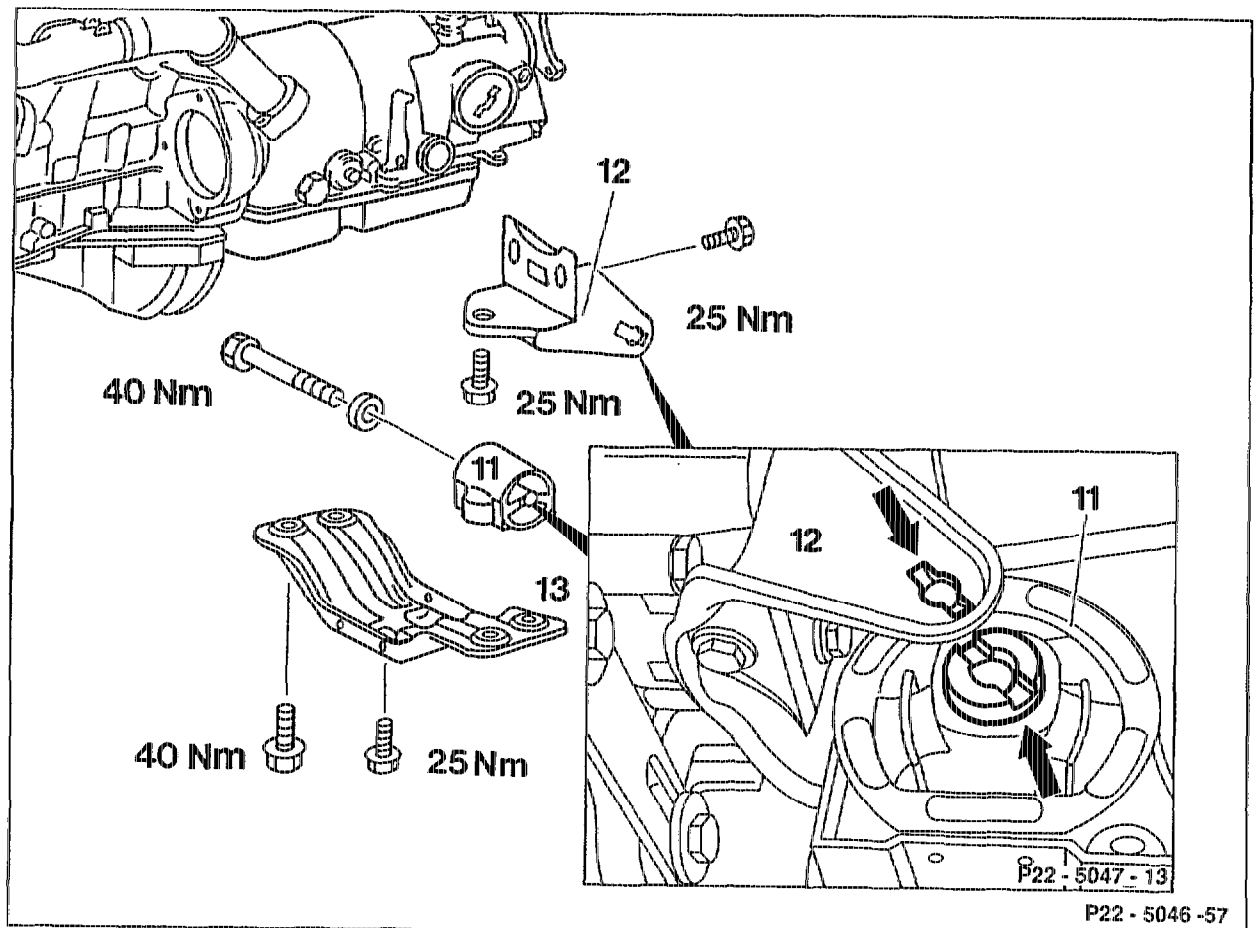


## 22-2120 Removing and installing rear engine mount

Preceding work:  
Open hood, raise to vertical position (01-0080).

Operation no. of operation texts and work units or standard texts  
and flat rates  
22-1160, 1168

### A. Models 124, 140



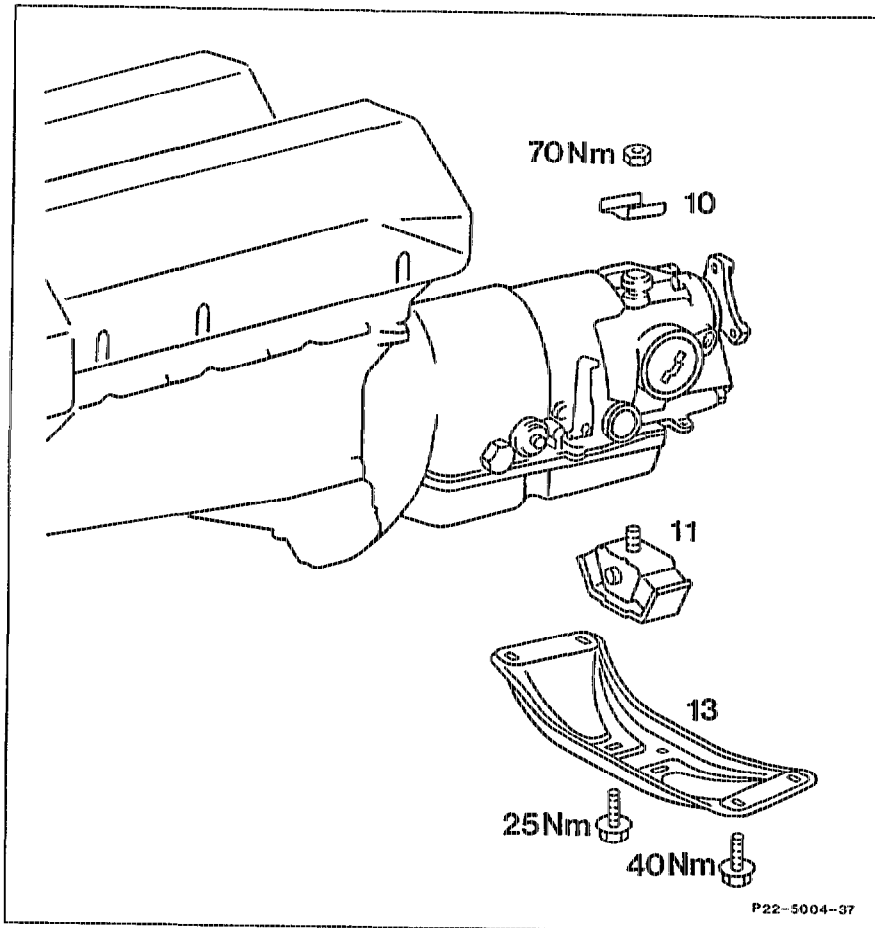
Transmission .....	support.
Cable straps of electric cable of kickdown at engine carrier (13) .....	detach, attach.
Engine carrier (13) .....	remove, install (M8: 25 Nm; M10: 40 Nm).
Engine mount (11) .....	remove, install (40 Nm).

#### Note

The installation position is fixed by a slot (arrow) on the engine mount (11) and by a recess (arrow) on the mounting plat (12).

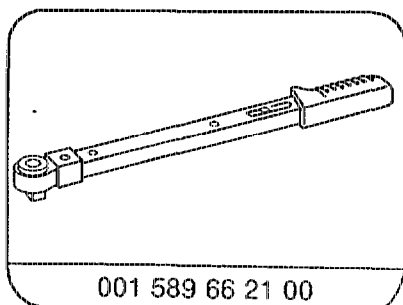
## B. Model 129

Operation no. of operation texts and work units or standard texts  
and flat rates  
22-1160, 1168



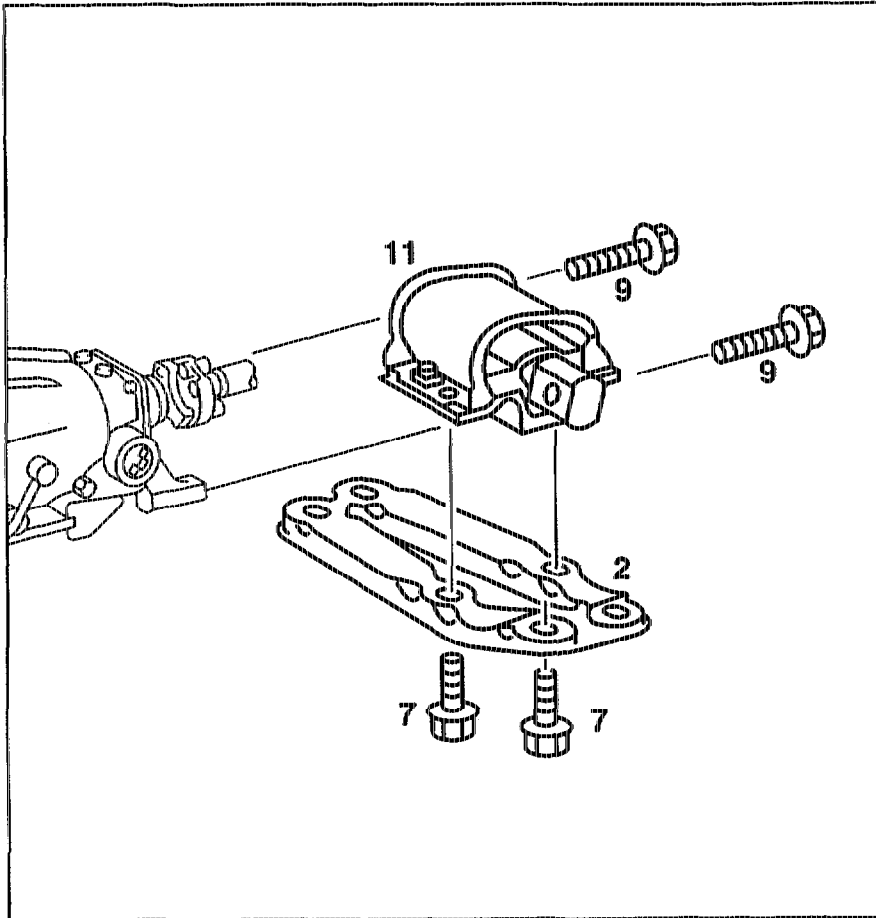
Transmission .....	support.
Cable straps of wiring of kickdown switch and oxygen sensor at engine carrier (13) .....	detach, attach.
Engine carrier (13) .....	remove, install (M8: 25 Nm; M10: 40 Nm).
Engine mount (11) .....	remove, install (70 Nm).
Backing plate (10) .....	note.

### Special tool



# C. Model 210

Operation no. of operation texts and work units or standard texts  
and flat rates  
22-1160, 1168



P22.10-0217-37

Transmission .....	support.	
Engine mount (11) .....	remove, install	(M8 25 Nm) (M10 40 Nm)