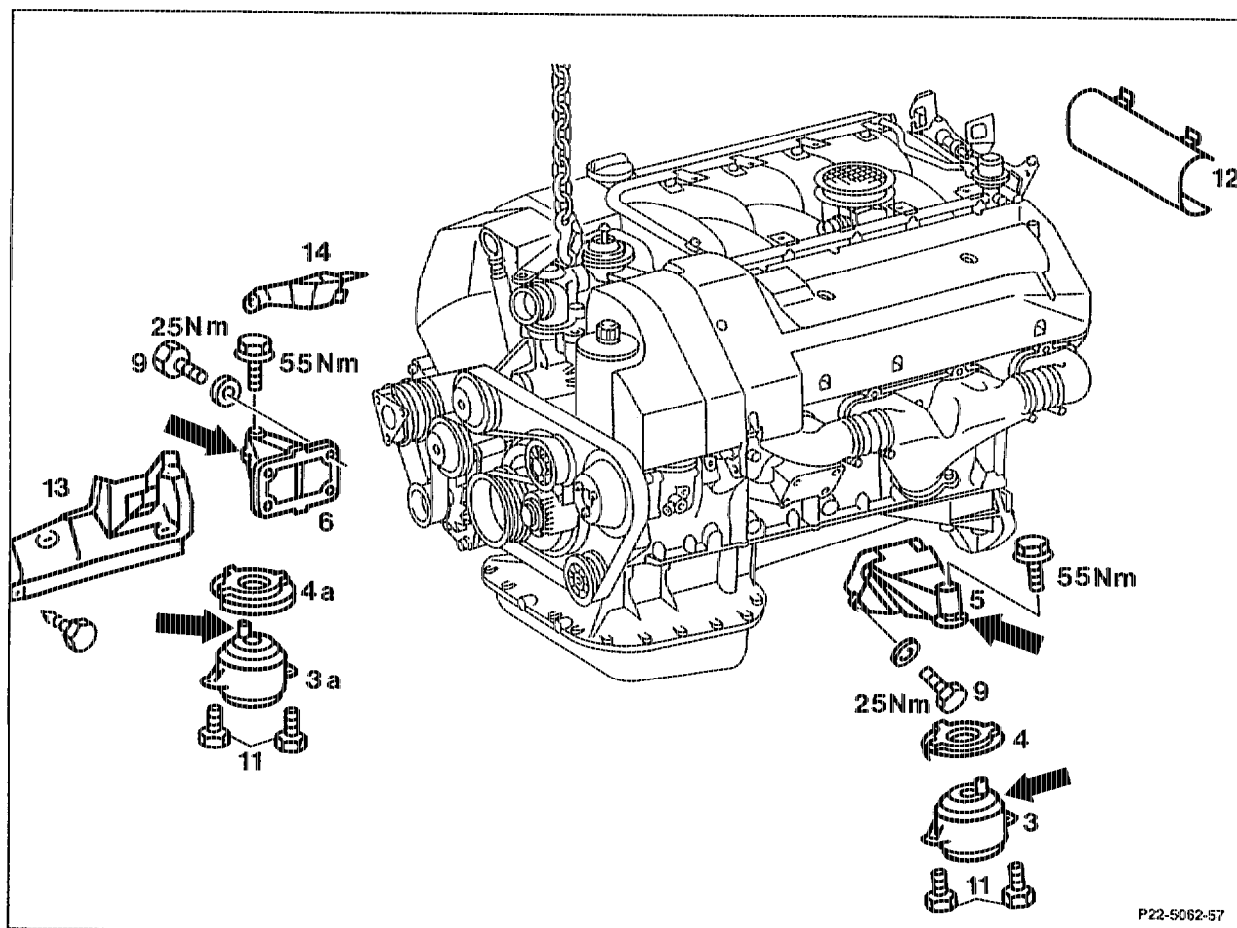


22-2110 Removing and installing front engine mounts

Preceding work:
Exhaust system removed (49-0045), (49-0170)

Operation no. of operation texts and work units or standard texts
and flat rates
22-1260-1700

A. Model 124



Ground cable at battery	disconnect, connect.
Fan shroud at radiator	remove, place over fan, install.
Cover (12) of engine wiring harness at component partition panel	detach, attach.
Engine mount bolts (11) at bottom	unscrew, screw on (25 Nm).
Engine at front lifting eye	raise.
Right engine mount (3): shields (13) and (14) ...	remove, install.
Bolts (9) of engine carriers (5) and (6)	unscrew, screw on (M8: 25 Nm; M10: 40 Nm).
Engine carriers (5) and (6), engine mounts (3) and (3a) together with shields (4) and (4a)	remove, install.

Engine mounts (3) and (3a) at engine carriers (5) and (6) unbolt, bolt on (55 Nm).

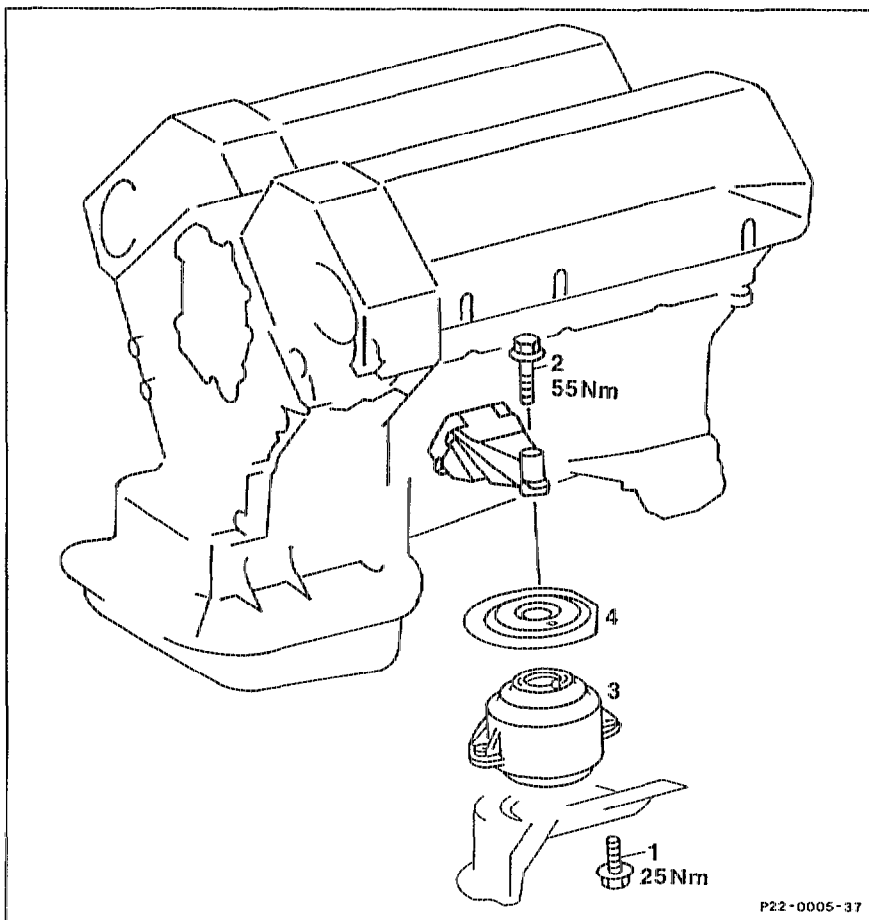
Installation note

The anti-twist locks (arrows) in the engine mounts (3) and (3a) must engage in the openings in the shields (4) and (4a) and in the retaining slots in the engine carriers (5) and (6).

B. Model 129

Preceding work:
Intake air scoops removed (09-0015).

Operation no. of operation texts and work units or standard texts and flat rates
22-1260-1700



Ground cable at battery disconnect, connect.
Fan shroud ring remove, place over fan, attach.

Installation note

Ensure the 4 engaging points are correctly located.

Bottom engine compartment panel remove, install (Maintenance Manual 6190).
 Bolts (1) unscrew, screw on (25 Nm).
 Engine at front lifting eye raise, lower.



When raising, pay attention to accelerator control at rear and coolant hoses.

Bolts (2) unscrew, tighten (55 Nm).
 Engine mount (3) with shield (4) remove, install (step 9).

Note

If vehicle fitted with AC, remove drag link, install (46-5500).

Installation note

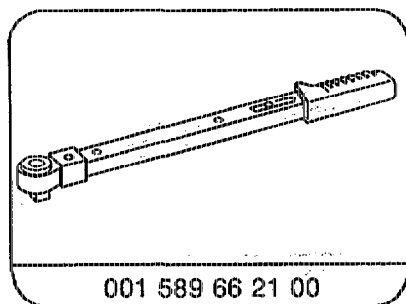
The anti-twist lock in the engine mount (3) must engage in the opening in the shield (4) and in the retaining slot in the engine carrier.

Shields (4) on left and right are identical.

Tightening torques in Nm

Hexagon bolts for engine mounts to frame cross member	25
Hexagon bolts for engine mounts to engine carrier	55

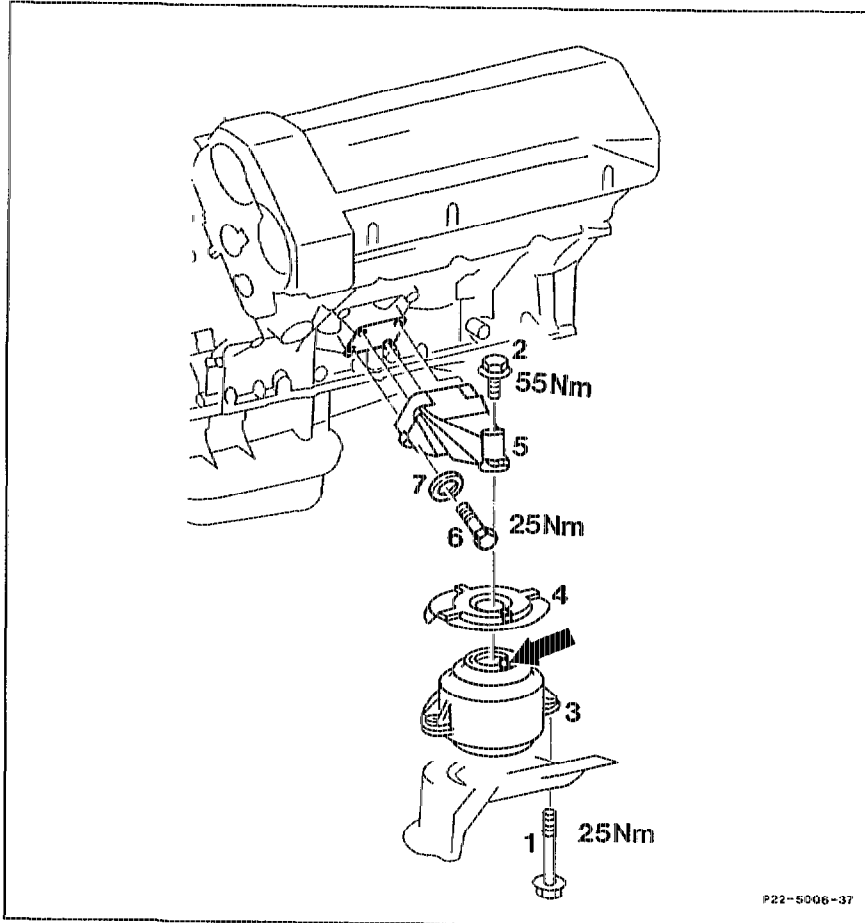
Special tool



C. Model 140

Preceding work:
 Intake air scoops removed (09-0015).
 Bottom engine compartment panel removed
 (Maintenance Manual 6190).

Operation no. of operation texts and work units or standard texts
 and flat rates
 22-1260-1700



Ground cable at battery	disconnect, connect.
Fan shroud ring	remove, place over fan, attach.

Installation note

Ensure the 4 engaging points are correctly located.

Bolts (1)	unscrew, screw on (25 Nm).
Engine at front lifting eye	raise about 5 mm, lower.
Bolts (6) of engine carrier	unscrew, screw on (25 Nm).

Engine at front lifting eye raise about 40 mm, lower.



When raising, pay attention to accelerator control at rear and to coolant hoses.

Engine mount (3) with shield (4) and engine carrier (5) remove downward, install.

Engine mount (3) at engine carrier (5) unbolt, bolt on (55 Nm).

Shield (4) at engine mount (3) take off, install.

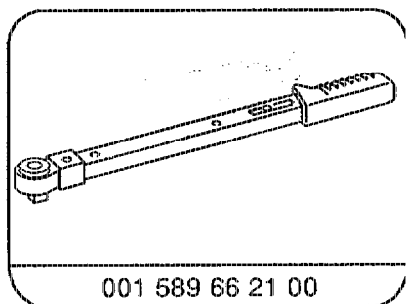
Installation note

The anti-twist lock (arrow) in the engine mount (3) must engage in the opening in the shield (4) and in the retaining slot in the engine carrier.

Tightening torques in Nm

Hexagon bolts for engine mount to frame cross member	25
Hexagon bolts for engine mount to engine carrier	55
Hexagon bolts for engine carrier to crankcase	25

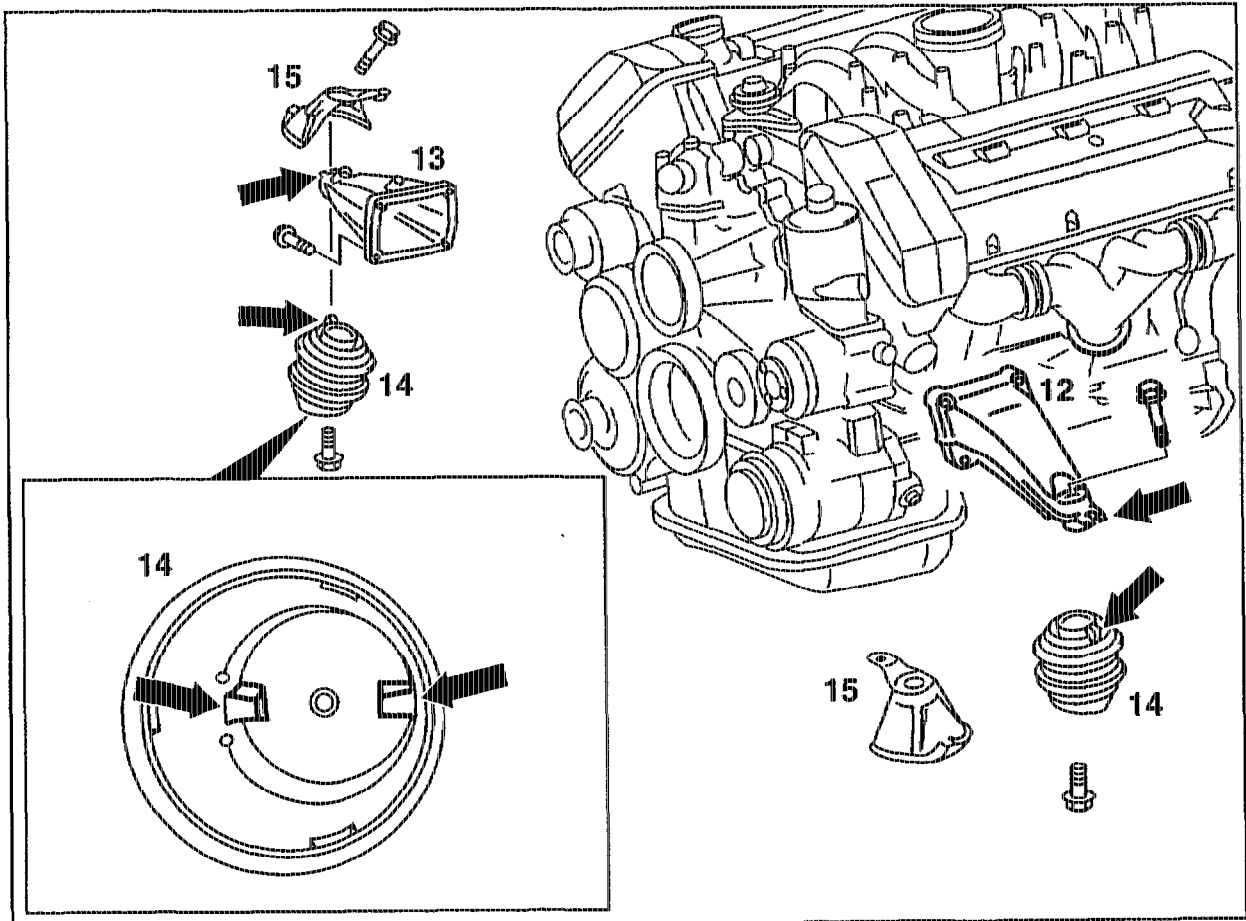
Special tool



D. Model 210

Preceding work:
Bottom engine compartment panel removed
(Maintenance Manual 6190).

Operation no. of operation texts and work units or standard texts
and flat rates
22-1260-1700



P22.10-0216-57

Fan shroud take off, place over fan, fit on.

Engine mount (14) at bottom unbolt, bolt on (30 Nm).

Engine raise about 5 mm at front lifting eye, lower.

Note

The installation position of the engine mounts (14) to the front suspension carrier is fixed by recesses (arrows) in the engine mounts (14) and raised faces in the front suspension carrier.

Engine mount on right: engine mount (14) complete with engine carrier (13) remove; unbolt engine mount (14) from engine carrier (13), install.

Engine mount on left: engine mount (14) at
engine carrier (12) at atop unbolt, bolt on.

Note

The anti-twist lock (arrow) in the engine mounts (14) must be inserted into the opening in the shield (15) and into the retaining slot in the engine carrier (12 or 13) (arrow).

The shields (15) are bolted to the engine carriers (12 or 13) with the top bolt.

Tightening torques in Nm

Hexagon bolts for engine mount to front suspension carrier	30
Hexagon bolts for engine mount to engine carrier	55
Hexagon bolts for engine carrier to crankcase	40

Special tool

