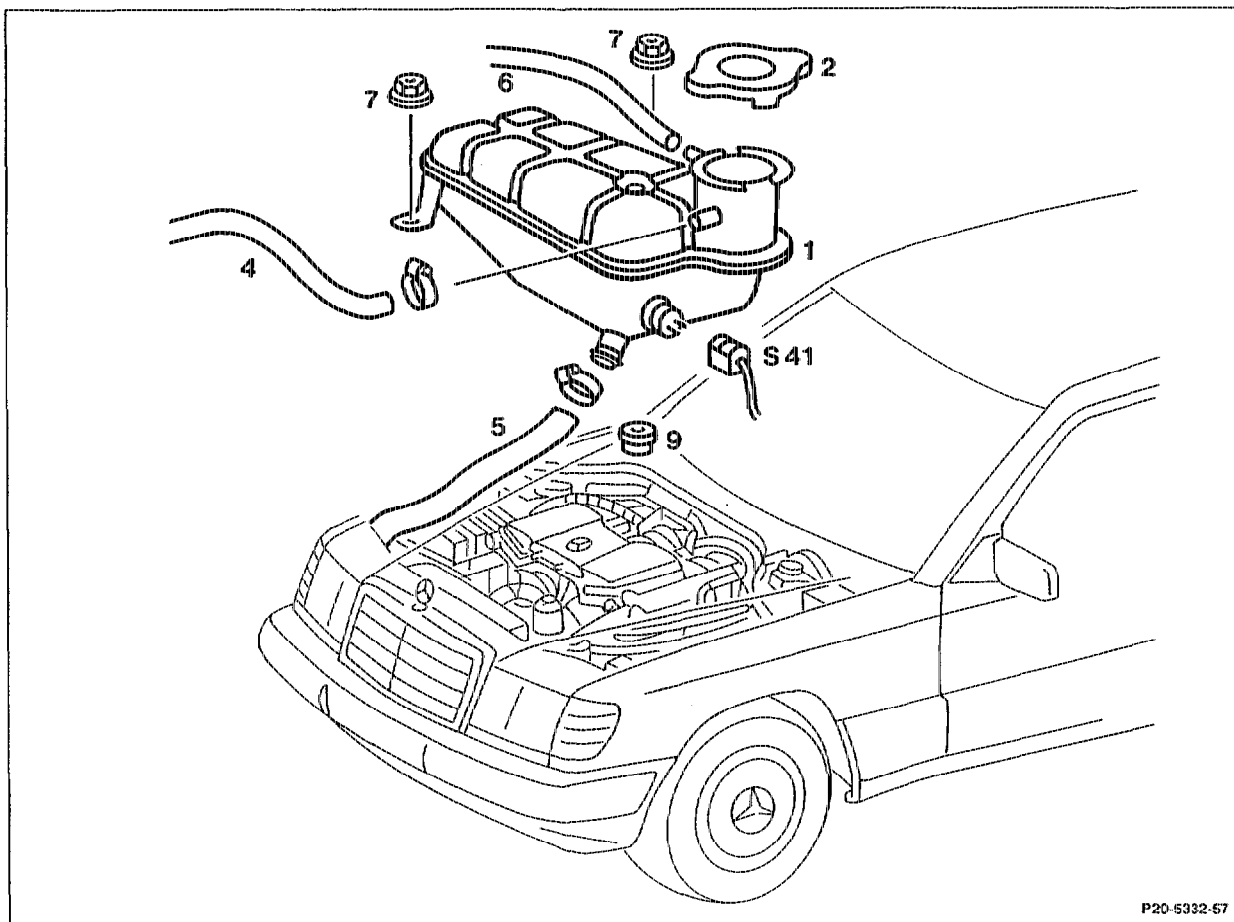


20-4500 Removing and installing expansion reservoir

Operation no. of operation texts and work units or standard texts
and flat rates
20-4950

A. Model 124



P20-5332-57

Cap (2) on expansion reservoir (1) open (release pressure).



Do not open cap (2) unless coolant temperature is below 90 °C. Risk of scalding!

Coolant drain (until expansion reservoir is empty),
pour in (20-0100).

Connector of plug connection (S41) of
coolant level indicator unplug, plug in.

Coolant hoses (4), (5)	detach, attach.
Line (6) to overflow reservoir	detach, attach.
Nuts (7)	unscrew, screw on.
Expansion reservoir (1)	remove, install.



Pay attention to rubber pad (9) of expansion reservoir (1).

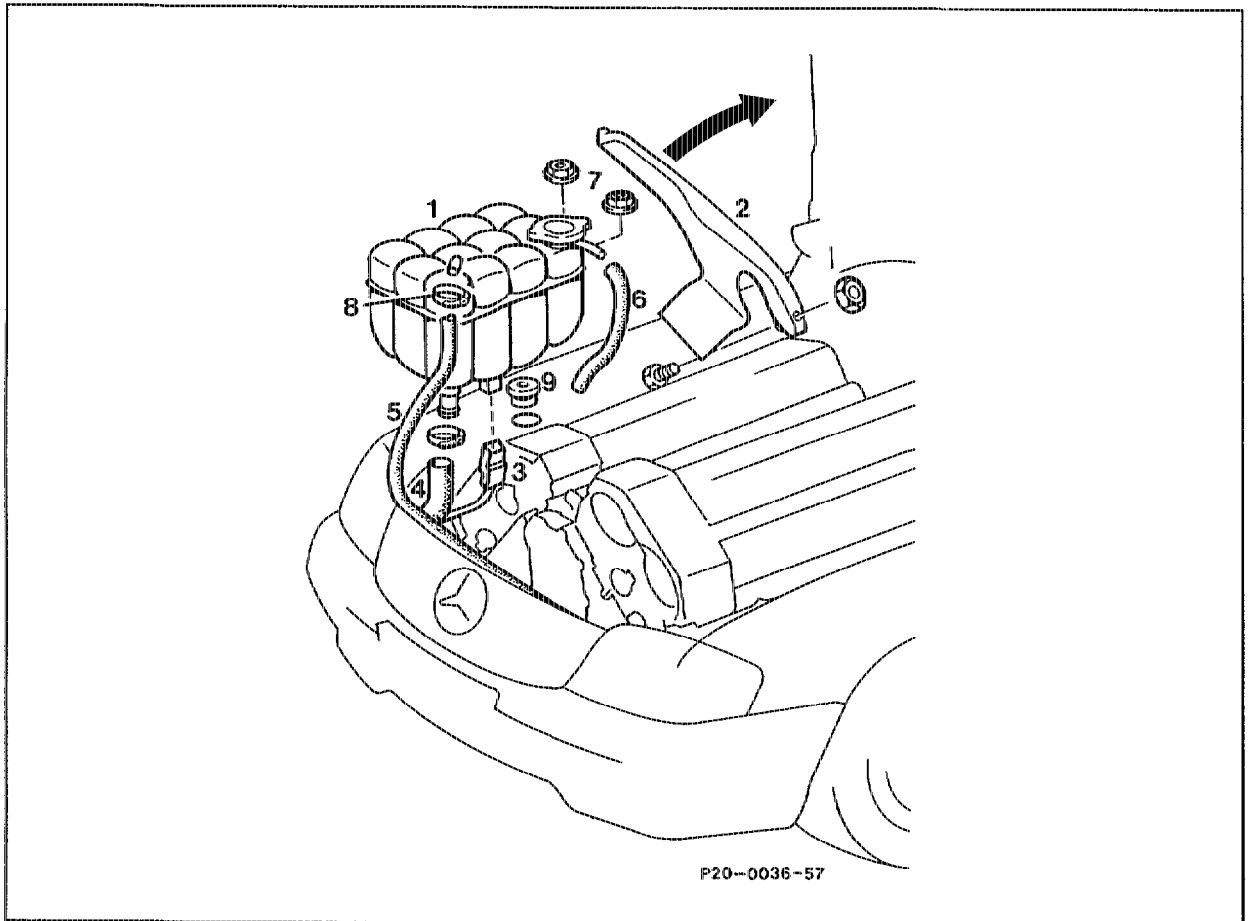
Note

As of vehicle ident end no. 124.034 1B 786 454 and 124.036 1B 783 119, respectively, an expansion reservoir 124 500 15 49 with integrated vent valve has been installed. This prevents air getting into the cooling circuit when the coolant level drops.

Detach coolant hose (4) for filling.

B. Model 129

Operation no. of operation texts and work units or standard texts
and flat rates
20-4950



P20--0036-57

Cap of expansion tank (1)	open (release pressure).
Coolant	drain (until expansion reservoir is empty), pour in (20-0100).
Cover (2)	unbolt, lift off, install.
Connector (3) of coolant level indicator switch ...	unplug, plug in.
Coolant hoses (4), (5), (6)	detach, attach.
Nuts (7)	unscrew, screw on.
Expansion reservoir (1)	remove, install.



Pay attention to rubber pad (9) of expansion reservoir (1).

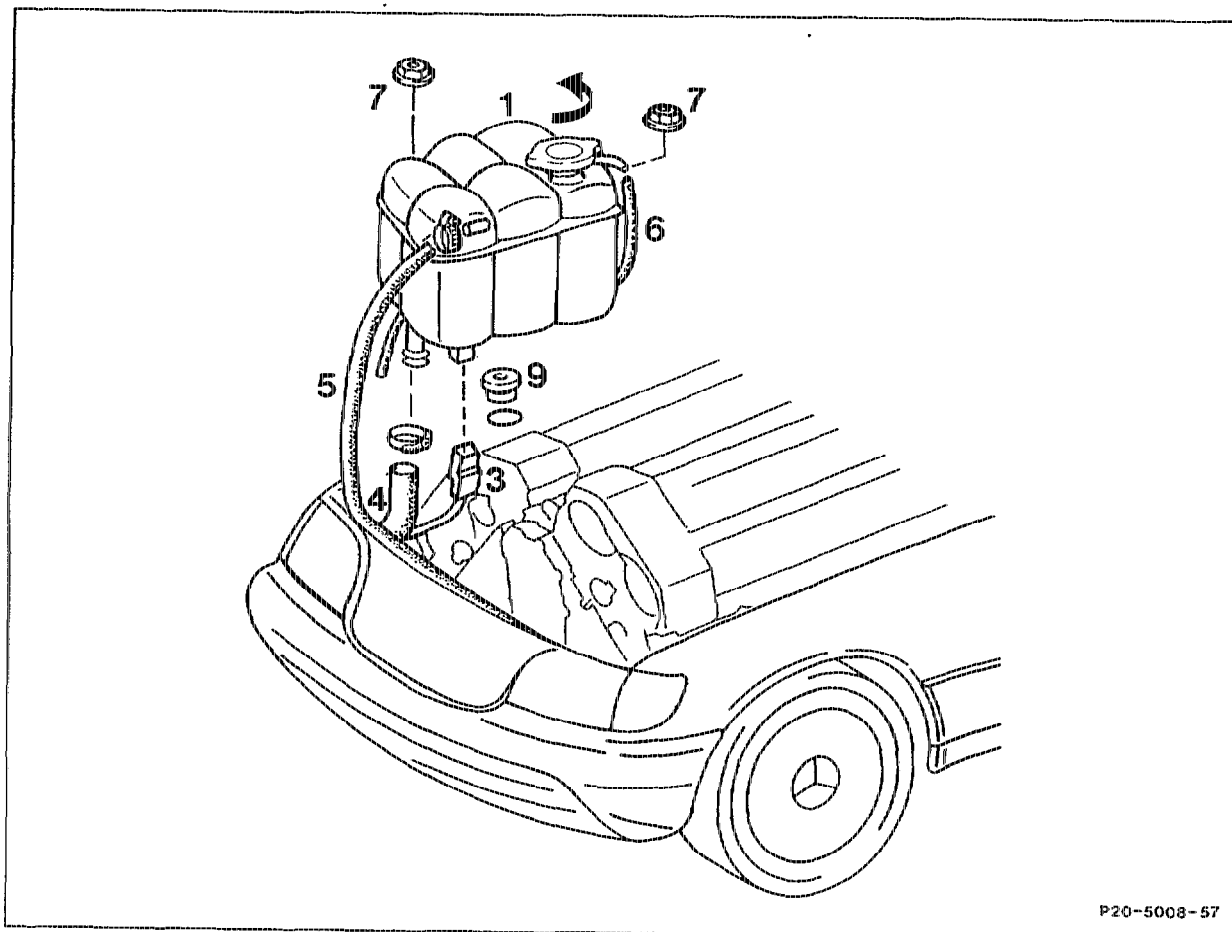
Note

As of vehicle ident end no. 001 950 an expansion tank with the identification 129 500 03 49 (was 129 500 01 49) has been installed. Identification on top side of reservoir. This reservoir has a modified vent connection to ensure improved ventilation of the system. When performing repairs, install this reservoir.

As of vehicle ident end no. 022 921 an expansion reservoir with a ventilation line to the heating system has been installed.

C. Model 140

Operation no. of operation texts and work units or standard texts
and flat rates
20-4950



P20-5008-57

Cap of expansion reservoir (1)	open (release pressure).
Coolant	drain (until expansion reservoir is empty), pour in (20-0100).
Connector (3) of coolant level indicator switch ...	unplug, plug in.
Coolant hoses (4), (5), (6)	detach, attach.
Nuts (7)	unscrew, screw on.
Expansion reservoir (1)	remove, install.



Pay attention to rubber pad (9) of expansion reservoir (1).