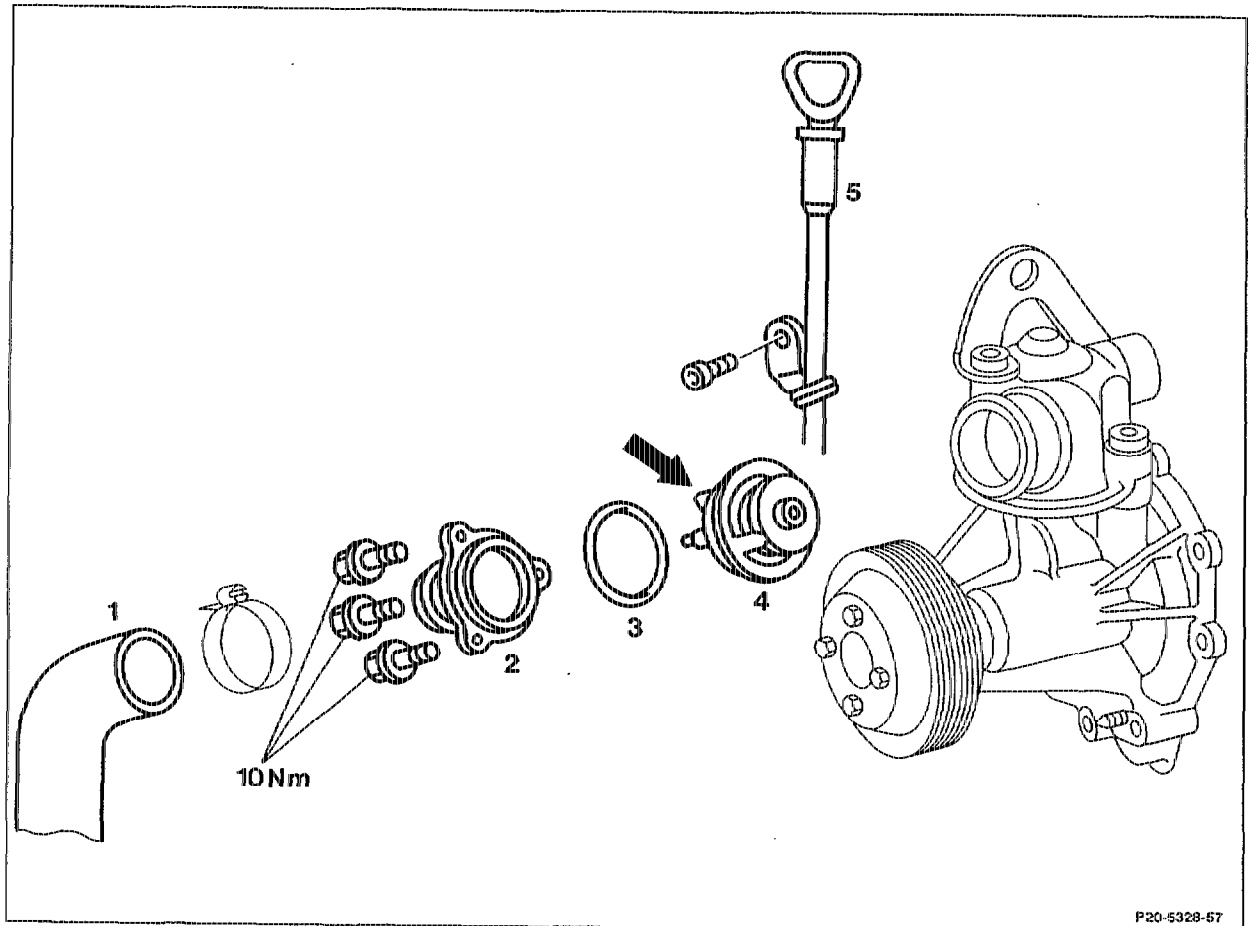


20-1100 Removing and installing coolant thermostat

Operation no. of operation texts and work units or standard texts
and flat rates
20-2460-2482



P20-5328-57

Coolant at radiator	drain (20-0100).
Model 129: dipstick guide tube from cylinder head	unscrew, screw on.
Coolant hose (1) at thermostat housing	detach, attach.
Coolant thermostat housing cap (2)	detach, attach (10 Nm).

Coolant thermostat (4)	remove.
O-ring (3)	replace.
Coolant thermostat	install.

Installation note

The ball valve (arrow) must be at the highest point.

Coolant	pour in (20-0100).
Leaks	check.