

18-2150 Removing and installing oil pressure relief valve (oil pump)

Preceding work:

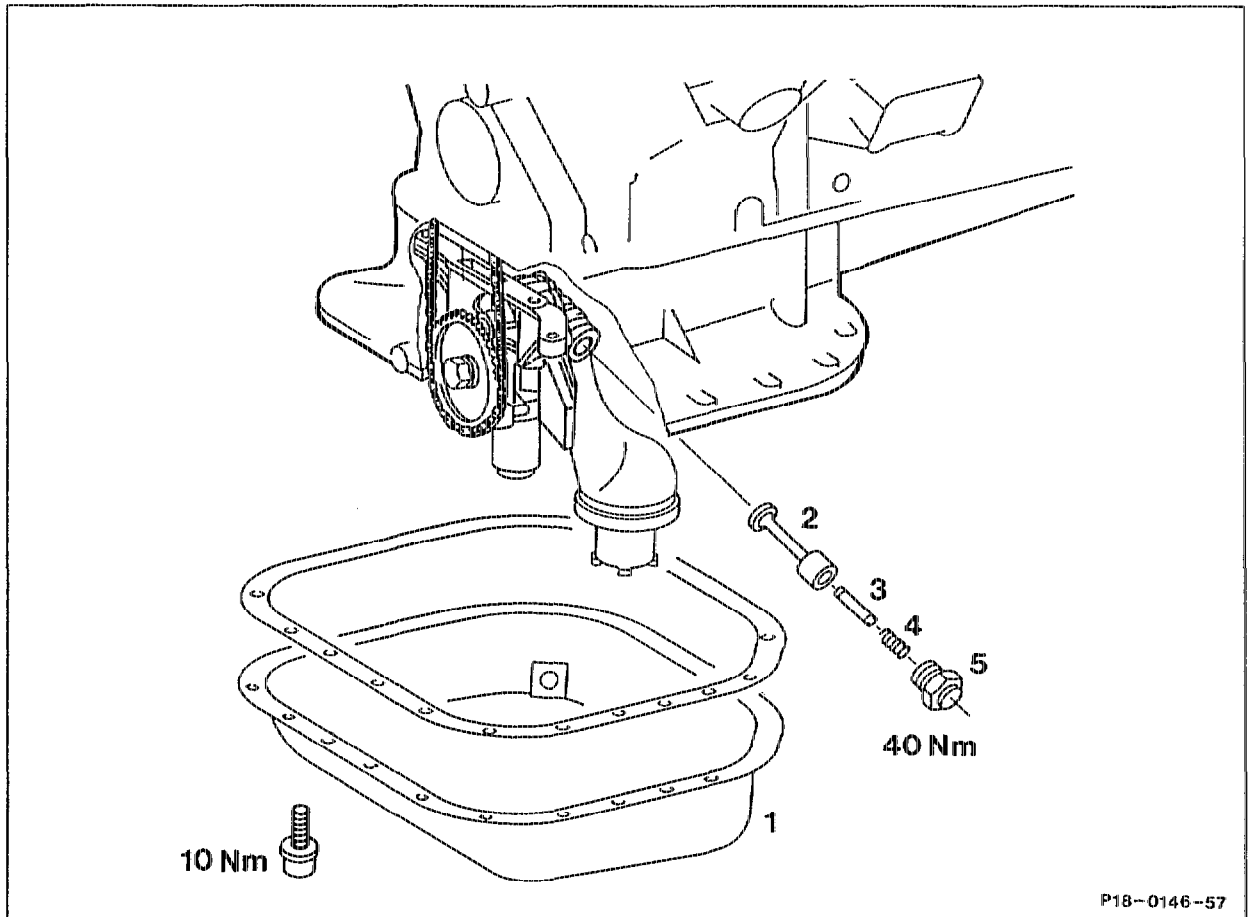
Bottom engine compartment panel removed
(Maintenance Manual 6190).

Extract or drain engine oil (18-0020).

Model 140. Oil sump removed (01-3100).

Operation no. of operation texts and work units or standard texts
and flat rates

18-5042



Bottom part of oil sump (1) unbolt, seal, bolt on (10 Nm).

Screwplug (5) of oil pressure relief valve unscrew, screw on (40 Nm).

Spring (4), guide pin (3), control plunger (2) remove, install.



Screwplug (5) is pressurised by spring (4).

Special tools

