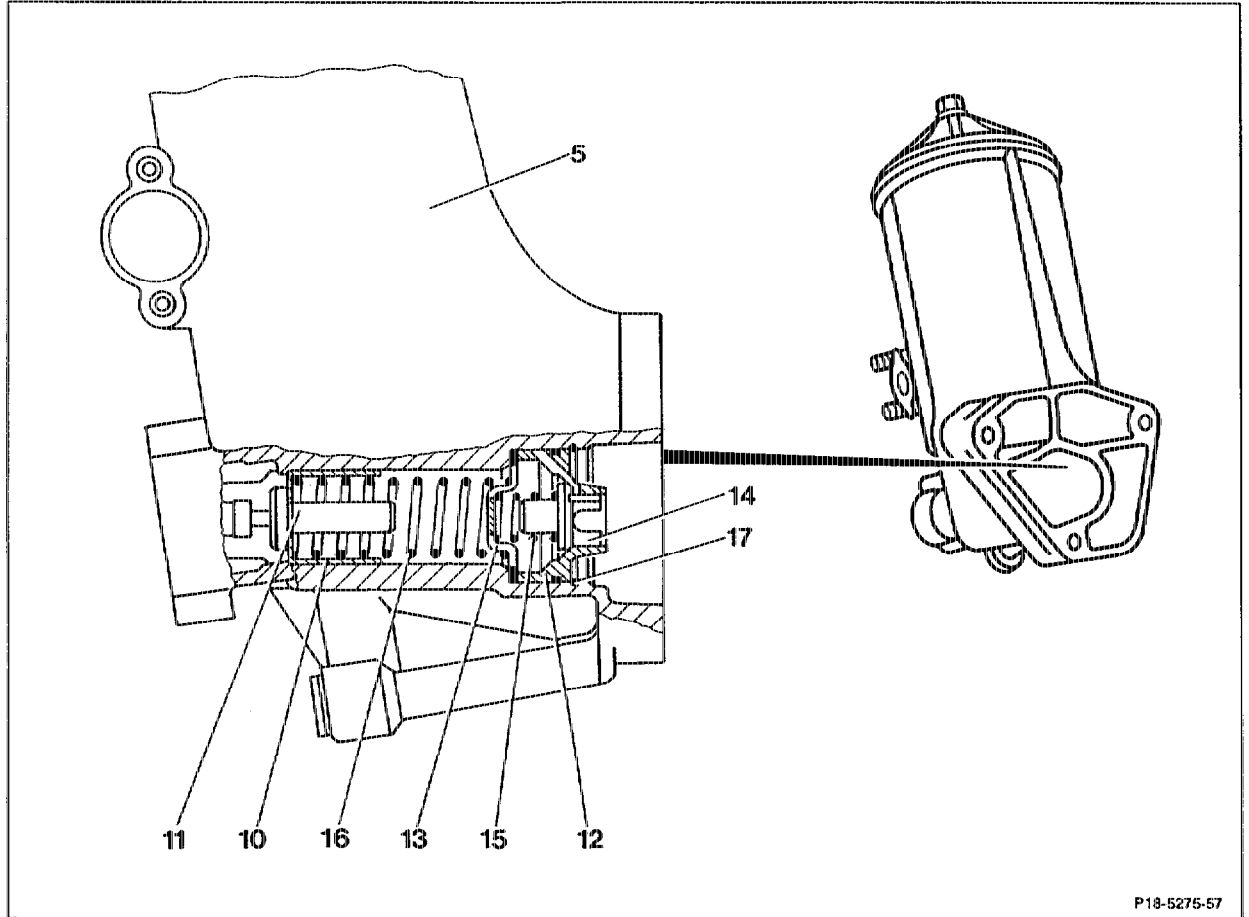


## 18-1120 Removing and installing oil return check valve in oil filter

Preceding work:  
Oil filter removed (18-1100).



P18-5275-57

- |  |  |
|--|--|
| Circlip (17) .....   | prise out with a screwdriver, install. |
| Valve seat (12), valve cone (14) and<br>compression spring (15) .....  | remove.                                |
| Valve seat (12) with extended guide with<br>valve cone (14) and compression spring (15)<br>(2nd version) ..... | install.                               |



Standard set oil return check valve with  
improved sealing properties:

Engine no.: 119.970 12 029 923  
119.971 12 015 069  
119.972 12 002 097  
119.974 12 006 973  
119.975 12 007 964