

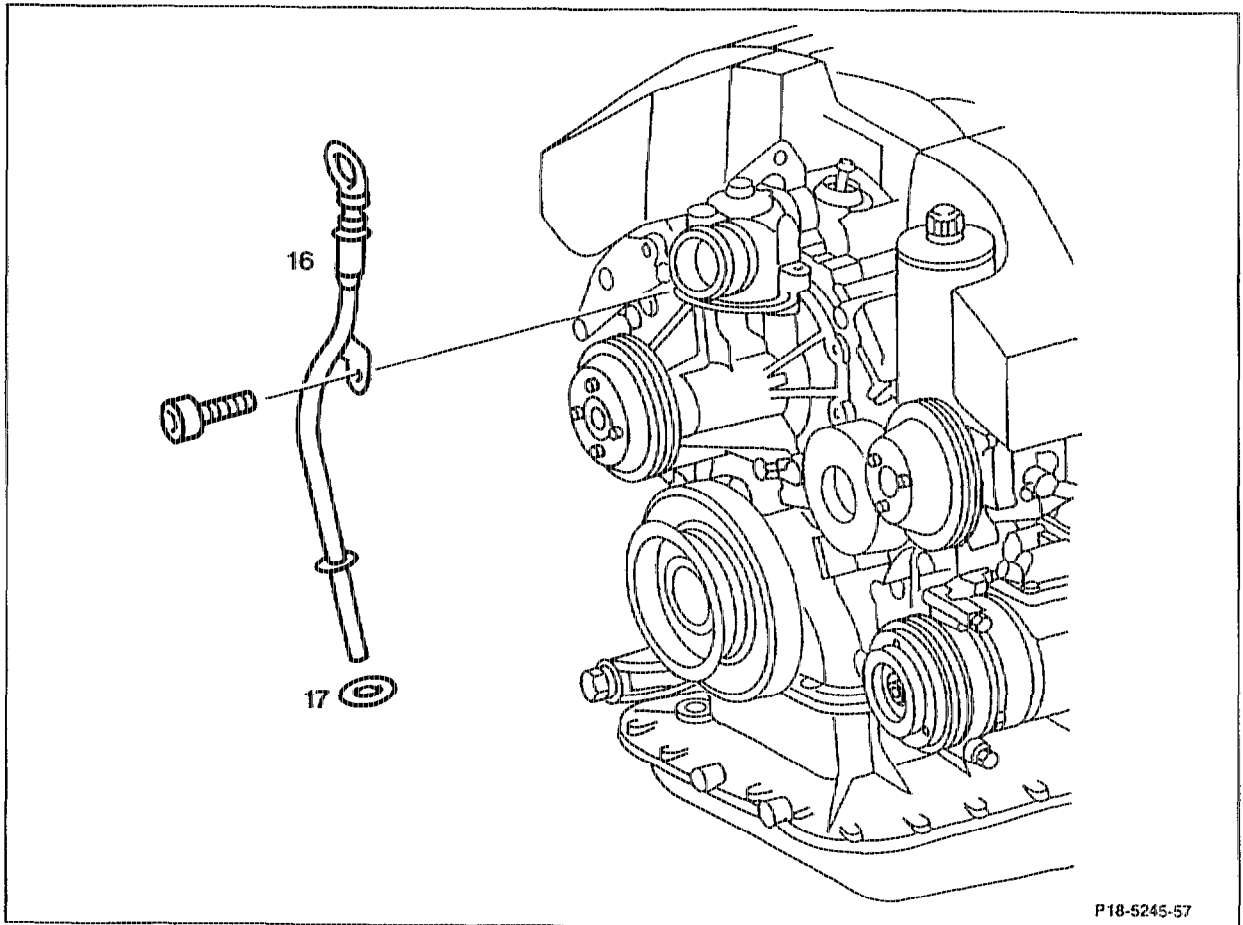
18-0023 Removing and installing dipstick guide tube

Preceding work:

Viscous fan coupling support removed (20-3140).

Engine 119.975: Coolant thermostat removed (20-1100).

Engine 119.975/985



P18-5245-57

Dipstick guide tube (16) to cylinder head	unbolt, bolt on.
Dipstick guide tube (16)	pull off upward, insert.
O-ring (17)	replace.
Leaks	check with engine running.