

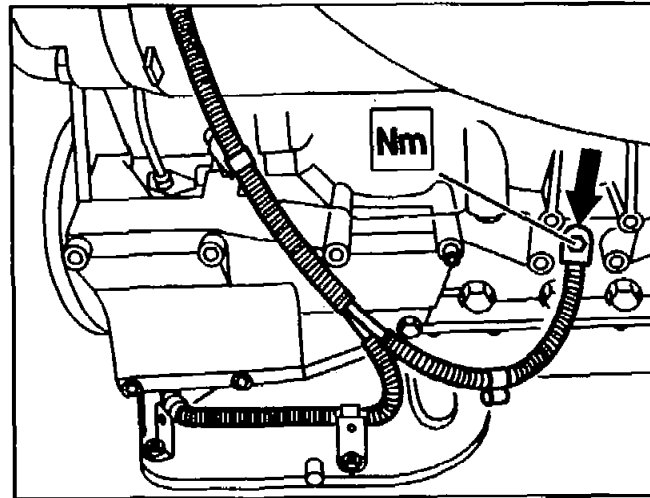
G5

AR15.12-P-2184E

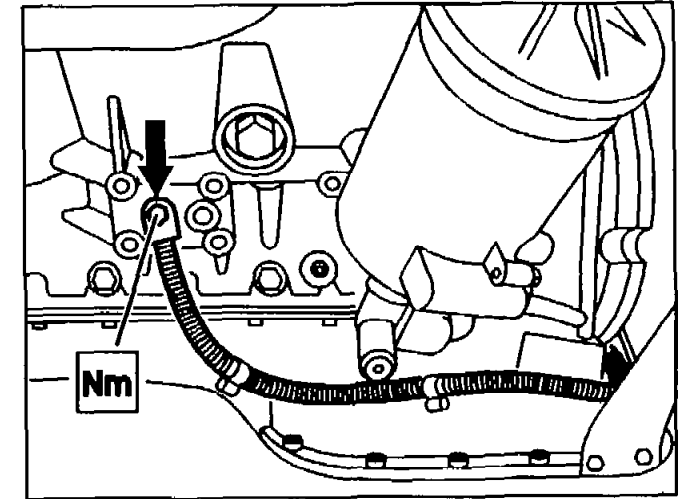
Removing and installing knock sensors

11.8.94

ENGINE 119.97



P15.12-0242-01



P15.12-0243-01

Fig. item, etc.	Work instructions		
i	Remove engine support, install	see Repair Instructions Engine 119.960/970/971/972/974/975 Mechanicals II Op. no. 22-2500	
i	Coupling	unplug at ignition control module	
i	Knock sensors	The cables of the two knock sensors are combined in a protective sleeve (corrugated sleeve). They can only be replaced as a unit.	



Arrows	Bolts	Nm	BA15.10-P-1001-02A
--------	-------	----	--------------------

Nm Knock sensors

Number	Designation	Engine
BA15.10-P-1001-02A	Knock sensor to cylinder block	112, 113, 119, 120
		Nm 20