



E5

AR15.12-P-2143E

Removing and installing, adjusting camshaft position sensor

14.9.94

**ENGINE 119.97**

- 9 Screw
- 10 Shim
- 11 O-ring
- L5/1 Camshaft position sensor
- Arrow Camshaft position sensor coupling

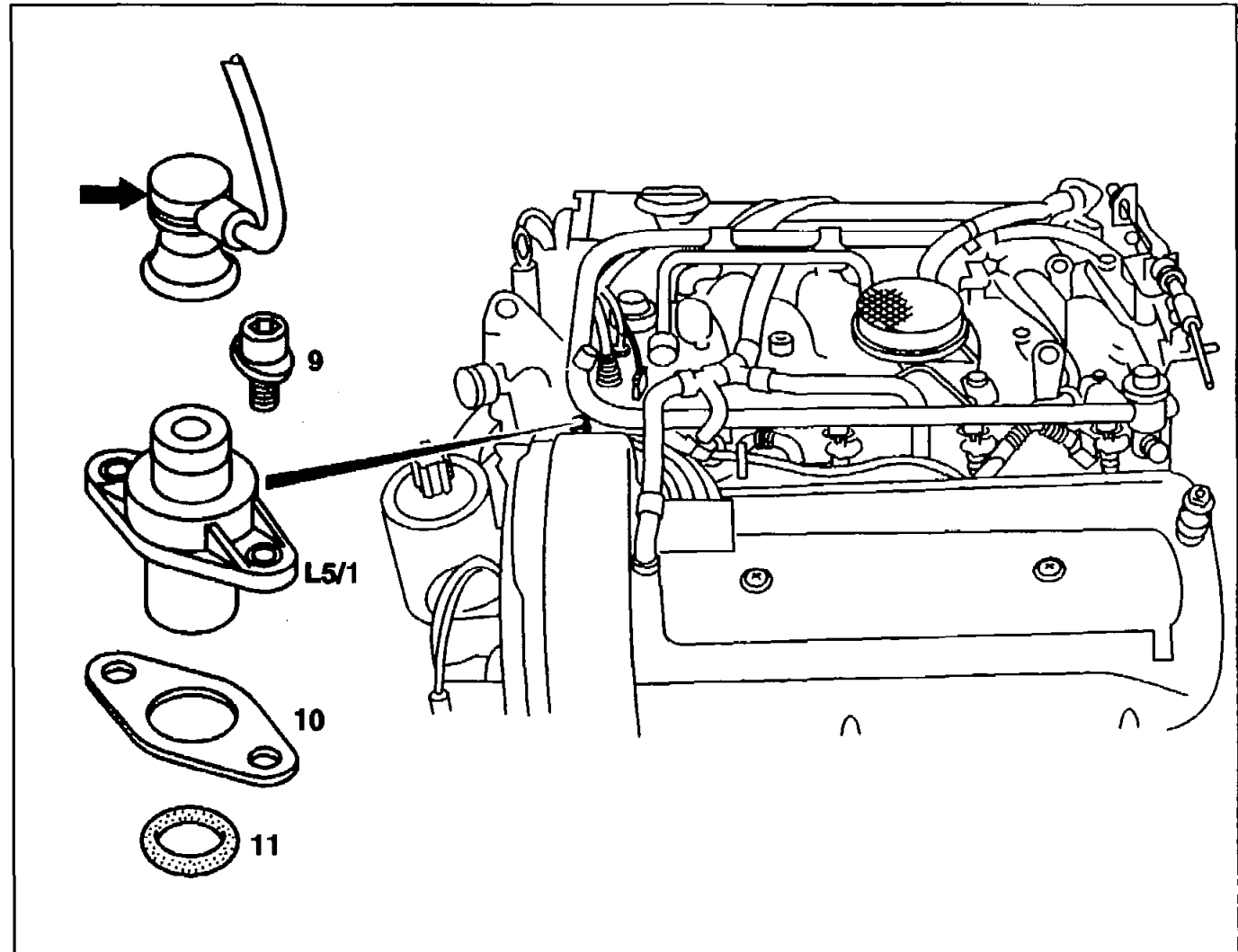



Fig. item, etc.	Work instructions		
	Cover of coolant thermostat housing	remove	
11	O-ring	replace	
L5/1	Camshaft position sensor	remove: ↓ check clearance of camshaft position sensor/camshaft sprocket segment, adjust	AR15.12-P-2143-01A <b>L16</b>