



A5

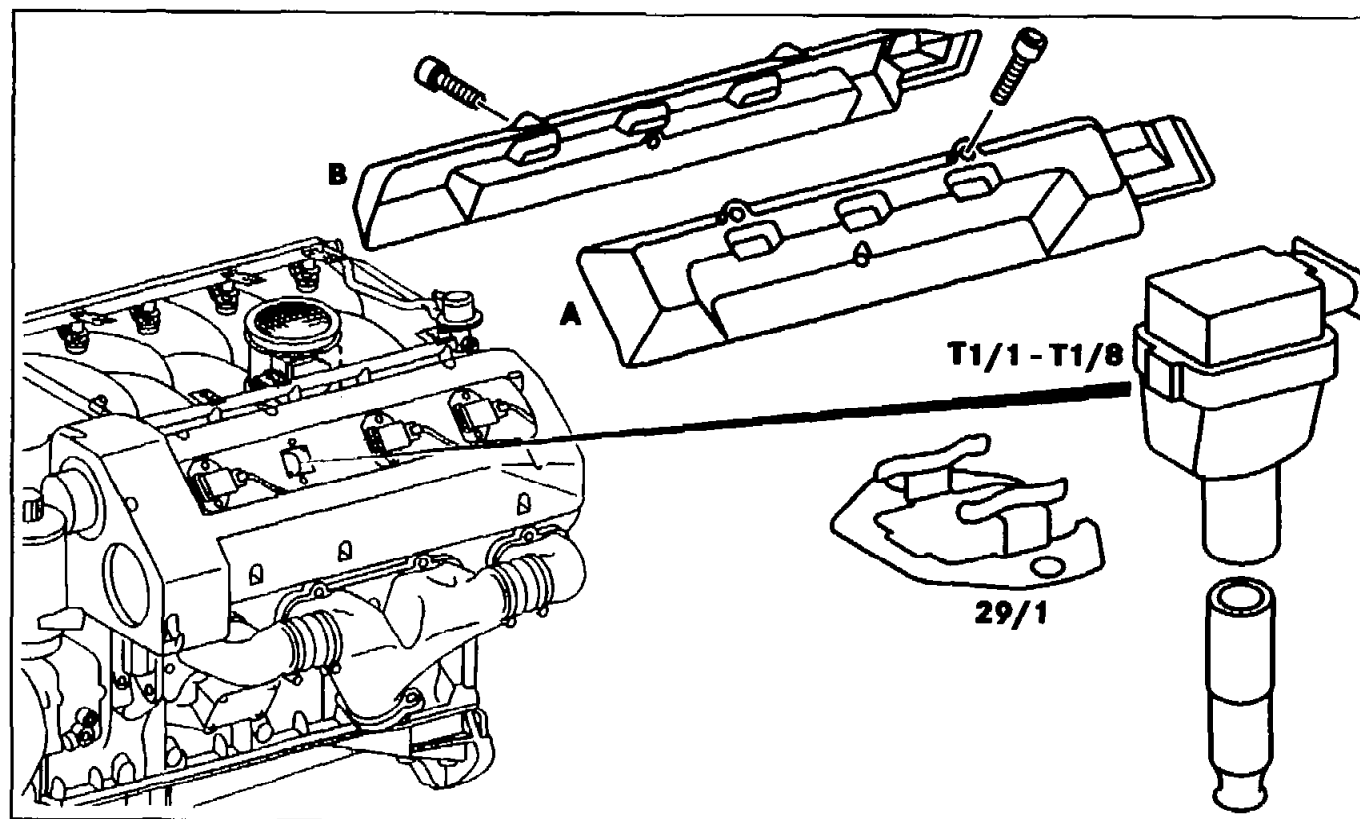
AR15.12-P-2003EA

## Removing and installing ignition coils

17.3.95

**ENGINE 119.981/982/985**

- 29/1 Fastening element  
T1/1-T1/4 Ignition coils  
(right bank of cylinders)  
T1/5-T1/8 Ignition coils  
(left bank of cylinders)  
A, B Covers



P15.12-0253-05

Fig. item, etc.

Work instructions

⚠ <b>Danger!</b>	<b>Hazard from contact with parts conducting high voltages</b>	<b>Do not touch parts conducting high voltages. Persons who wear electronic implants (e.g. heart pacemakers) must not carry out any work on the ignition system.</b>	<b>AS15.10-Z-0001-01A</b>
ⓘ	<b>Notes on avoiding damage to the ignition system</b>	<b>Engine 104, 111, 112, 113, 119, 120 with ME-SFI fuel injection and ignition system</b>  <b>Engine 103, 104, 119 with CFI fuel injection system</b>  <b>Engine 104, 119, 120 with LH-SFI fuel injection system</b>	<b>AH15.10-P-0002-01D    <b>A17</b></b>  <b>AH15.10-P-0002-01E    <b>B17</b></b>  <b>AH15.10-P-0002-01F    <b>C17</b></b>
<b>A, B</b>	<b>Covers</b>		
<b>29/1</b>	<b>Fastening element</b>	<b>pay attention to installation position</b>	
<b>T1/1-T1/8</b>	<b>Ignition coils</b>	<b>pay attention to routing of cables</b>	