

O4

AR15.12-P-2003E

Removing and installing ignition coils

11.8.94

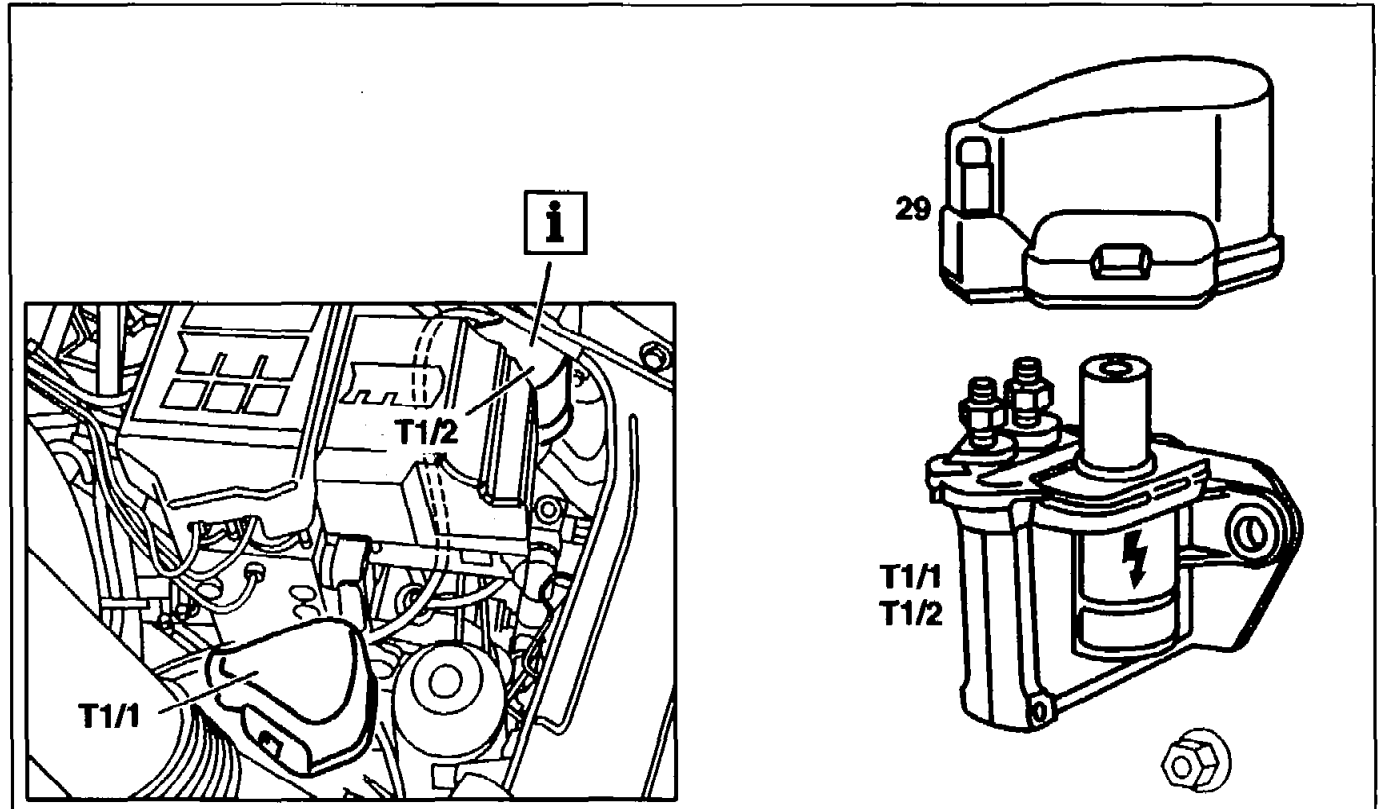
**ENGINE 119.97**

**Model 129 illustrated**

29 Cover

T1/1 Ignition coil 1 (right bank of cylinders)




T1/2 Ignition coil 1 (left bank of cylinders)



P15.12-0240-05

Fig. item, etc.

Work instructions

 <b>Danger!</b>	<b>Hazard from contact with parts conducting high voltages</b>	<b>Do not touch parts conducting high voltages. Persons who wear electronic implants (e.g. heart pacemakers) must not carry out any work on the ignition system.</b>	<b>AS15.10-Z-0001-01A</b>
	<b>Notes on avoiding damage to the ignition system</b>	<b>Engine 104, 111, 112, 113, 119, 120 with ME-SFI fuel injection and ignition system</b> <b>Engine 103, 104, 119 with CFI fuel injection system</b> <b>Engine 104, 119, 120 with LH-SFI fuel injection system</b>	<b>AH15.10-P-0002-01D     <b>A17</b></b> <b>AH15.10-P-0002-01E     <b>B17</b></b> <b>AH15.10-P-0002-01F     <b>C17</b></b>
	<b>Ignition coil (T1/2)</b>	<b>Model 124</b> <b>Remove left intake scoop</b> <b>Remove left alarm system horn</b> <b>Model 140</b> <b>Remove left headlamp, see Repair Instructions Electrical System II Model 140 Op. no. 82-4730</b>	<b>AR09.10-P-8221EA     <b>J1</b></b>
<b>29</b>	<b>Cover of ignition coils</b>	<b>take off</b>	
<b>T1/1, T1/2</b>	<b>Ignition coils</b>	<b>terminal 1: M5 connection thread</b> <b>terminal 15: M6 connection thread</b>	