

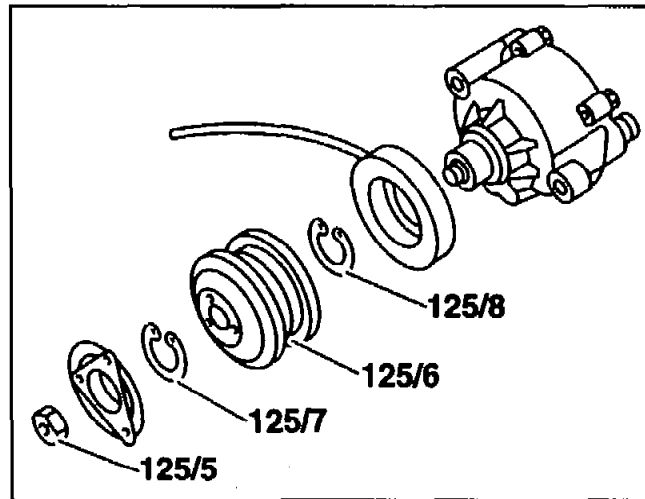


E4 AR14.30-P-7264D	Removing and installing electromagnetic coupling	22.6.94
-----------------------	--	---------

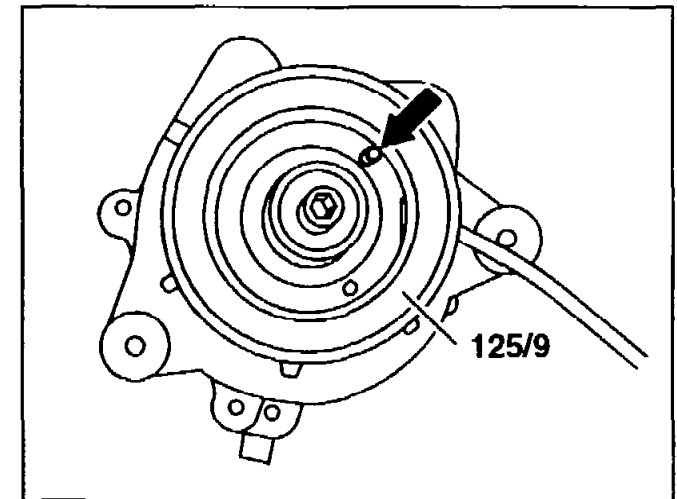
ENGINE 104.941/942/944/992/994, 119.97, 120.98
ENGINE 104.943/991

(USA)

- 125/5 Nut
- 125/6 Belt pulley
- 125/7 Circlip
- 125/8 Circlip
- 125/9 Electro-solenoid
- Arrow Locking pin



P14.30-2003-01



P14.30-0224-01

Fig. item, etc.	Work instructions		
125/6	Remove air pump belt pulley, install	Engine 104 Engine 119, 120	AR14.30-P-7252D AR14.30-P-7252F C4
125/9	Solenoid	engage in locking pin (arrow) when installing	