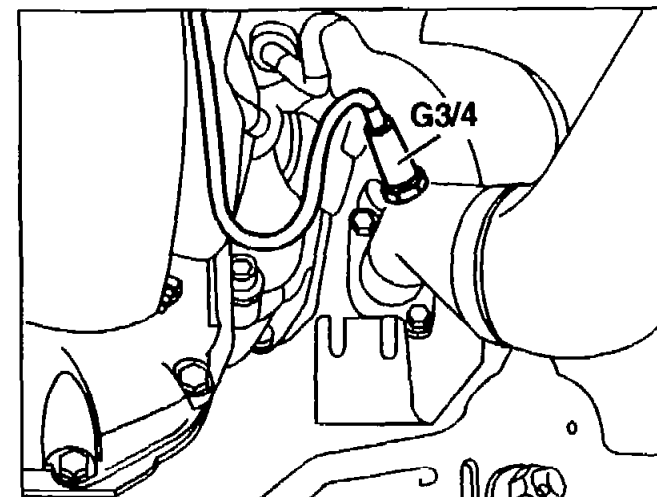


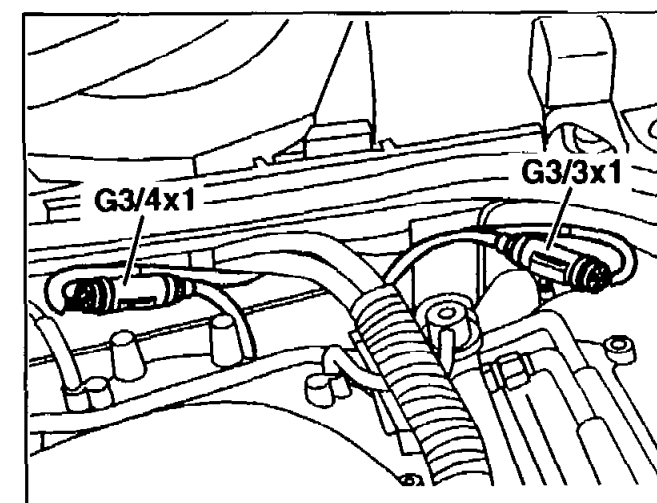
**M2**

AR14.00-P-5303EB

**Removing and installing oxygen sensor****8.9.95****ENGINE 119.985****G3/4** Right O<sub>2</sub> sensor

P14.00-0221-01

■ G3/3x1 Left O<sub>2</sub> sensor connector  
G3/4x1 Right O<sub>2</sub> sensor connector



P14.00-0222-01



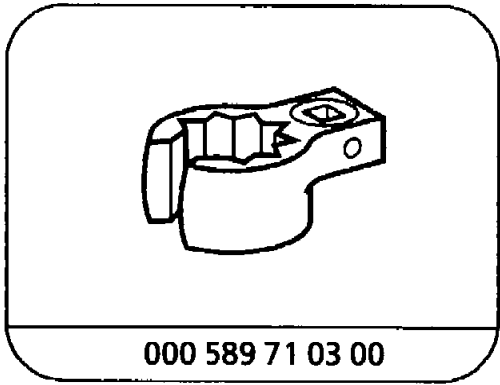
Fig. item, etc	Work instructions		
G3/3x1, G3/4x1	O <sub>2</sub> sensor connector		
G3/3, G3/4	O <sub>2</sub> sensor	<b>i</b> Installation: Apply hot lubricant paste to thread of lambda sensor <b>Nm</b> 	BR00.45-Z-1006-06A  BA14.00-P-1001-01A  000 589 71 03 00

**Nm** Lambda sensor

Number	Designation	Engines 104, 111, 112, 113, 119, 120, 166
BA14.00-P-1001-01A	Lambda sensor on exhaust pipe / exhaust manifold	Nm 55

**Repair materials**

Number	Designation	Order no.
BR00.45-Z-1006-06A	Hot lubricant paste	000 989 76 51



Box wrench socket, Delco R4 and A6