



H2

AR14.00-P-5303E

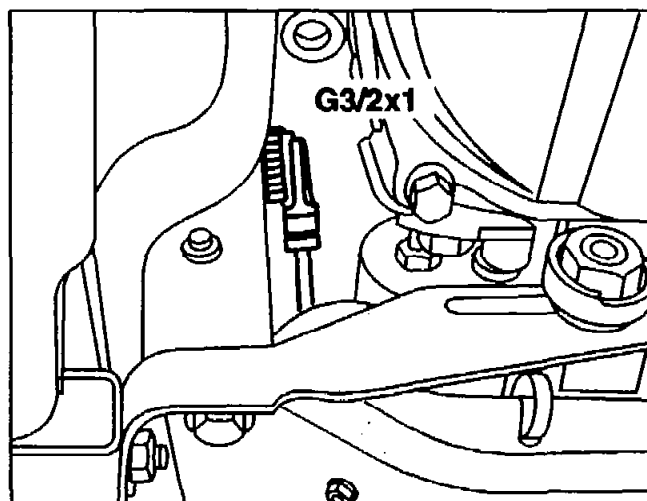
Removing and installing oxygen sensor

20.7.94

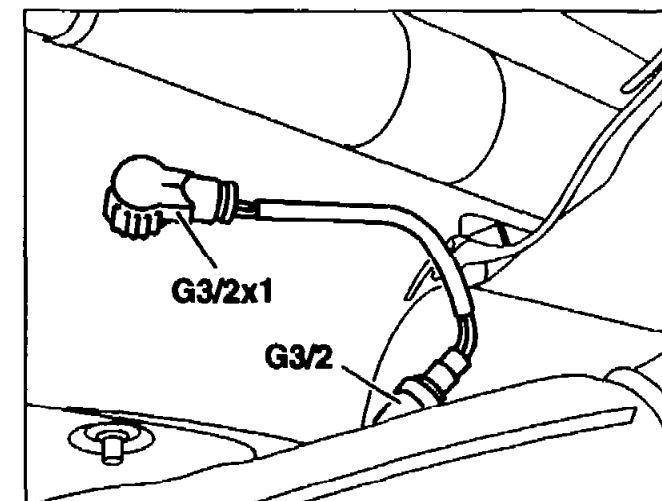
ENGINE 119.97

G3/2 O₂ sensor, upstream catalytic converter

G3/2x1 O₂ sensor connector



P14.00-0211-01



P14.00-0212-01

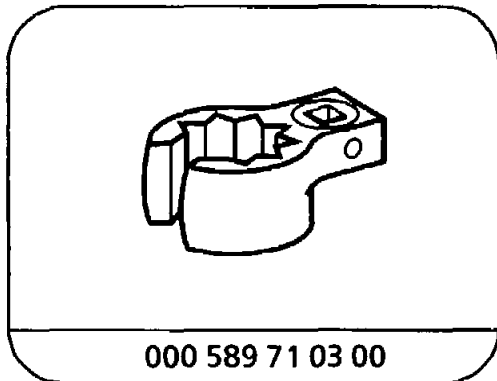
Fig. item, etc.	Work instructions		
G3/2	O ₂ -sensor	<p>i Installation: Apply hot lubricant paste to thread of lambda sensor</p> <p>Nm</p> <p>♂</p>	<p>BR00.45-Z-1006-06A</p> <p>BA14.00-P-1001-01A</p> <p>000 589 71 03 00</p>

**Nm** Lambda sensor

Number	Designation	Engines 104, 111, 112, 113, 119, 120, 166
BA14.00-P-1001-01A	Lambda sensor on exhaust pipe / exhaust manifold	Nm 55

Repair materials

Number	Designation	Order no.
BR00.45-Z-1006-06A	Hot lubricant paste	000 989 76 51



Box wrench socket, Delco R4 and A6