

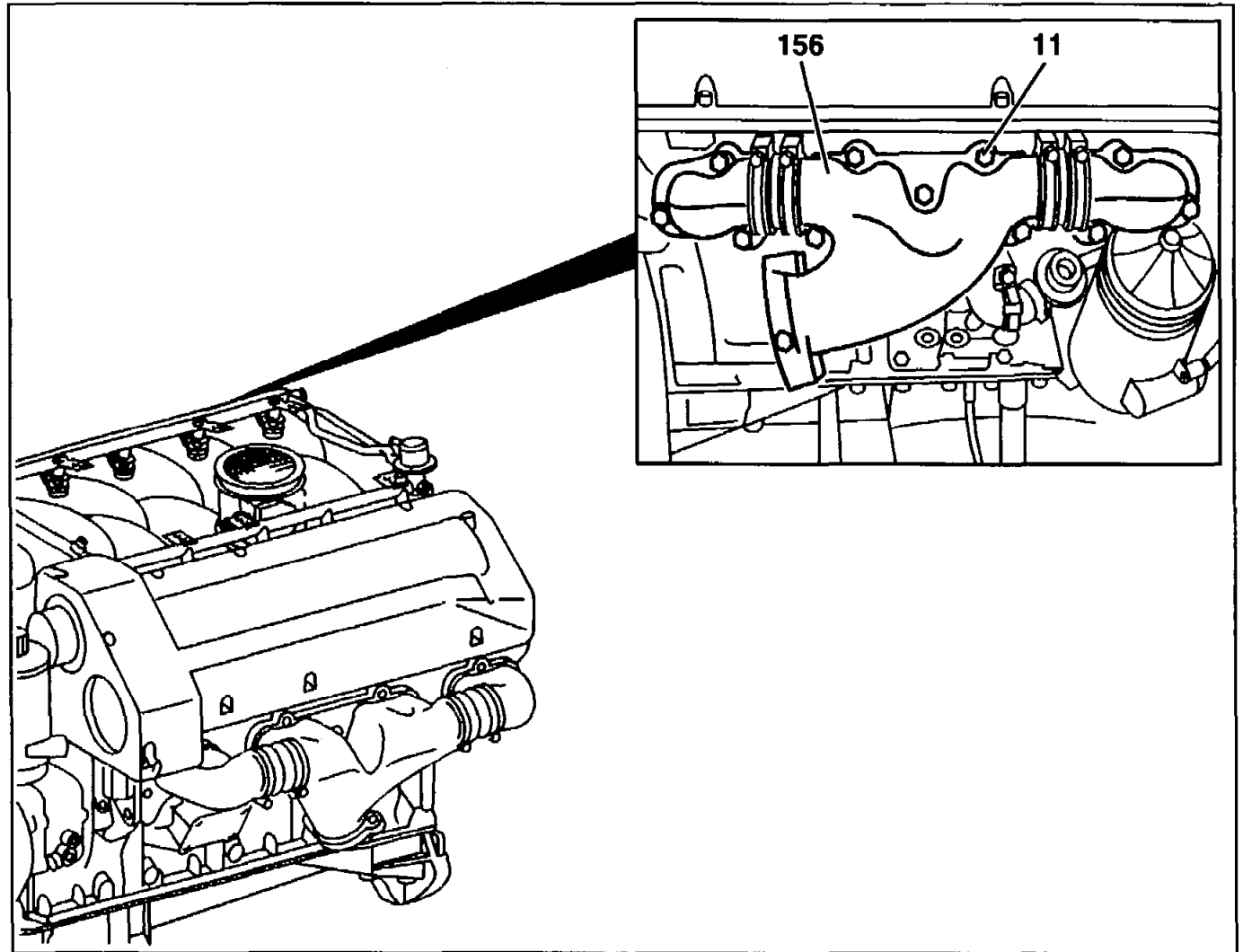
K3

AR14.10-P-4005EA





Removing and installing right exhaust manifold

8.9.95

ENGINE 119.985





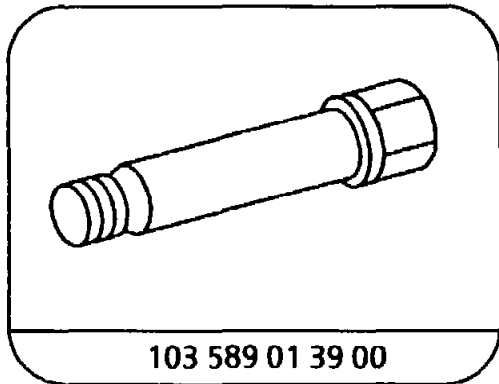
 	removing and installing		
1	removing and installing air filter		
2	Remove fan shroud		
3	Removing and installing bottom engine compartment paneling		
4	Removing and installing complete exhaust system		AR49.10-P-7000EA
5	Remove front right engine mount from below	refer to Repair Instructions, engines 119.960/970/971/972/974/975 Mechanical II Work no. 22-2110	
6	Remove self-locking screws (11)	 Replace	BA14.10-P-1003-01B
7	Lift engine at oil sump with telescopic jack (pit lift or stacker)		
8	Remove exhaust manifold (156) from above	If necessary after checking: ↓ Replace riveted nuts in exhaust manifold	AR49.10-P-5531-01DA K16
9	Replace gaskets	 Clean sealing surfaces. Fit new gasket on locating pins with metal side to cylinder head. If gasket is not held by locating pins, apply spots of sealing compound	BR00.45-Z-1012-01A
10	Install in the reverse order		

**Nm** Exhaust manifold

Number	Designation	Engine 119
BA14.10-P-1003-01B	Exhaust manifold screw	Nm 30

Repair materials

Number	Designation	Order no.
BR00.45-Z-1012-01A	Exhaust sealing compound	001 989 25 20



Stop screw