



G3

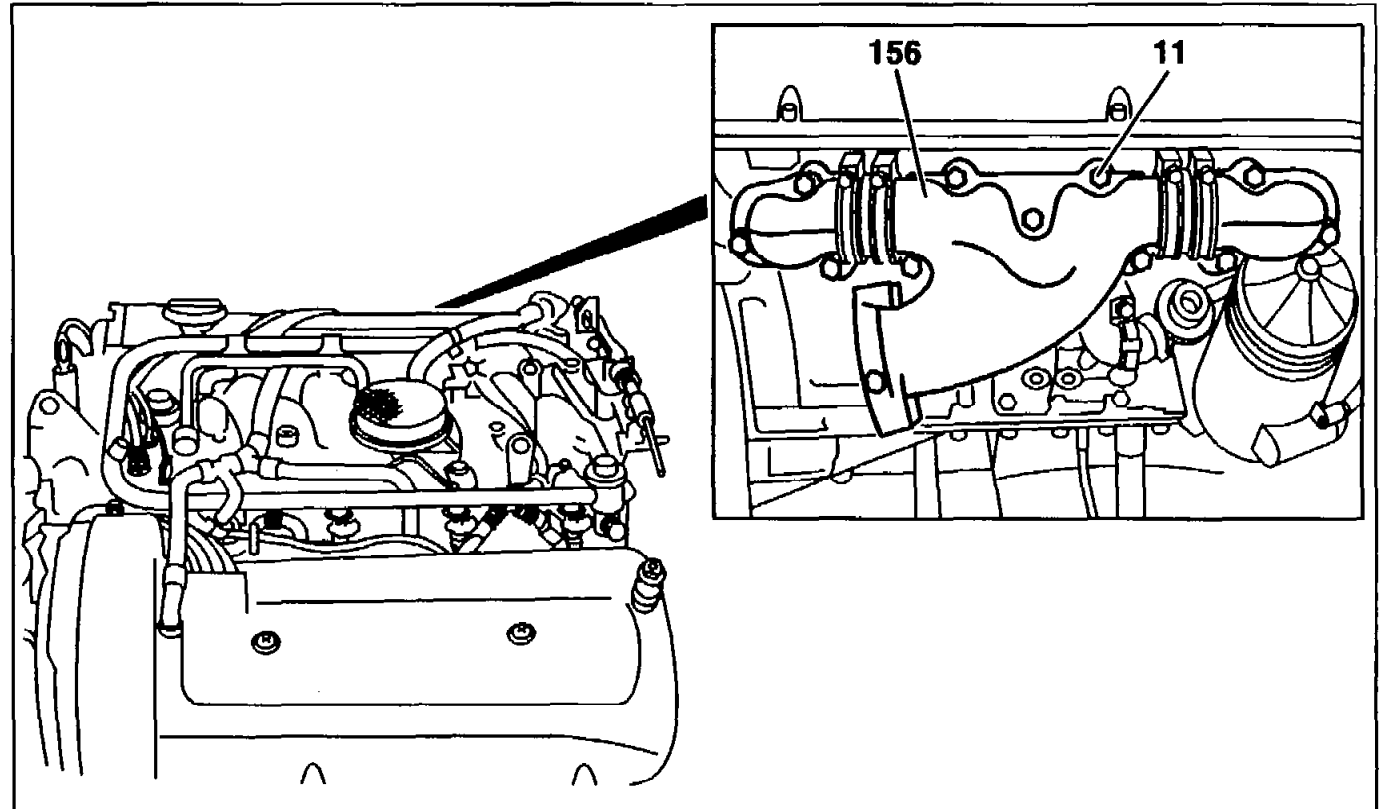
AR14.10-P-4005E

Removing and installing right exhaust manifold

21.7.94

ENGINE 119.97 /981 /982



Showing engine 119.97



P14.10-0210-05

	<p>removing and installing</p>		
<p>1</p>	<p>Removing and installing bottom engine compartment paneling</p>		



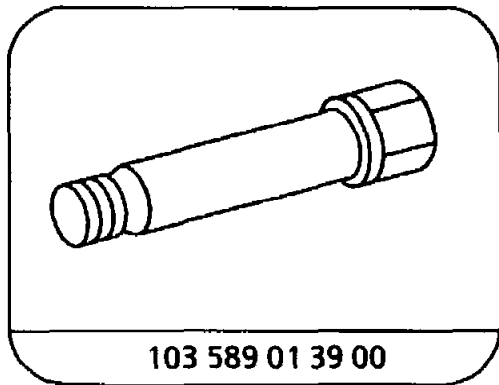
2	Removing and installing complete exhaust system		AR49.10-P-7000E
3	Remove self-locking screws (11) BT	Exhaust manifold screws modified	 Replace Engine 119.97 BA14.10-P-1003-01B BT14.10-P-0002-01A <b>H17</b>
4	Remove front right engine mount from below	refer to Repair Instructions, engines 119.960/970/971/972/974/975 Mechanical II Work no. 22-2110	
5	Lift engine at oil sump with telescopic jack (pit lift or stacker)		
6	Remove exhaust manifold (156) from above BT BT	Exhaust manifold material modified Exhaust manifold modified	If necessary after checking: ↓  Replace riveted nuts in exhaust manifold Engine 119.97 Model 140 RHS with engine 119.97 AR49.10-P-5531-01DA <b>K16</b> BT14.10-P-0003-01A <b>K17</b> BT14.10-P-0001-01B <b>M17</b>
7	Replace gaskets	 Clean sealing surfaces. Fit new gasket on locating pins with metal side to cylinder head. If gasket is not held by locating pins, apply spots of sealing compound	BR00.45-Z-1012-01A
8	Install in the reverse order		

**Nm Exhaust manifold**

Number	Designation	Engine 119
BA14.10-P-1003-01B	Exhaust manifold screw	Nm 30

**Repair materials**

Number	Designation	Order no.
BR00.45-Z-1012-01A	Exhaust sealing compound	001 989 25 20



Stop screw