



P2

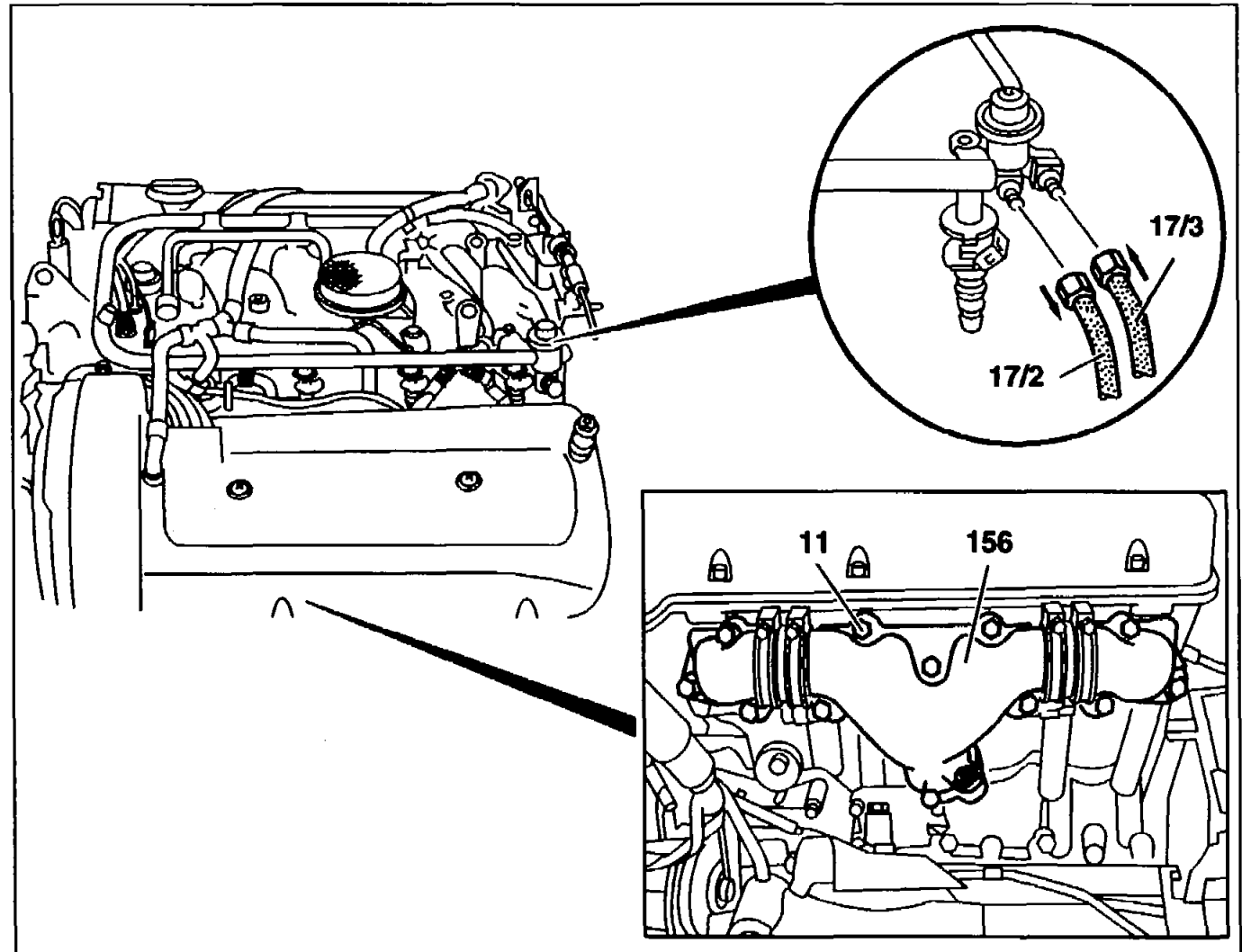
AR14.10-P-3930E











Removing and installing left exhaust manifold




20.7.94

ENGINE 119.97 /981 /982

Showing engine 119.97



	<p>removing and installing</p>		
<p>1</p>	<p>Removing and installing bottom engine compartment paneling</p>		
<p>2</p>	<p>Remove transverse pipe between exhaust manifold and exhaust system</p>	<p> Nm</p> <p> Nm</p>	<p>BA14.10-P-1002-01B</p> <p>BA49.10-P-1003-01A</p>
<p>3</p>	<p>Remove fan shroud</p>		
<p>4</p>	<p>Remove front left engine mount from below</p>	<p>refer to Repair Instruction, engines 119.960/970/971/972/974/975 Mechanical II Work no. 22-2110</p>	
<p>5</p> <p> BT</p>	<p>Remove self-locking screws (11)</p> <p>Exhaust manifold screws modified</p>	<p> Replace</p> <p>Engine 119.97</p>	<p>BA14.10-P-1003-01B</p> <p>BT14.10-P-0002-01A H17</p>
<p></p>	<p>Risk of explosion</p>	<p>Engine 119.97</p> <p>Observe accident prevention regulations!</p>	
<p>6</p>	<p>Relieve fuel pressure via service valve on fuel distributor</p>	<p>Engine 119.97</p> <p> Refer to DMNL Engine, volume 2 index 3.1</p> <p> S</p> <p> S</p>	<p>103 589 00 21 00</p> <p>119 589 04 63 00</p>
<p>7</p>	<p>Unscrew fuel supply (17/3) and return line (17/2)</p>	<p>Engine 119.97</p> <p> Collect fuel</p>	

8	Lift engine at oil sump with telescopic jack (pit lift or stacker)		
9	Remove exhaust manifold (156) from above	If necessary after checking: ↓ Replace riveted nuts in exhaust manifold	AR49.10-P-5531-01DA K16
 BT	Exhaust manifold material modified	Engine 119.97	BT14.10-P-0003-01A K17
 BT	Exhaust manifold modified	Model 140 RHS with engine 119.97	BT14.10-P-0001-01B M17
10	Replace gaskets	 Clean sealing surfaces. Fit new gasket on locating pins with metal side to cylinder head. If gasket is not held by locating pins, apply spots of sealing compound	BR00.45-Z-1012-01A
11	Install in the reverse order		

 Exhaust manifold

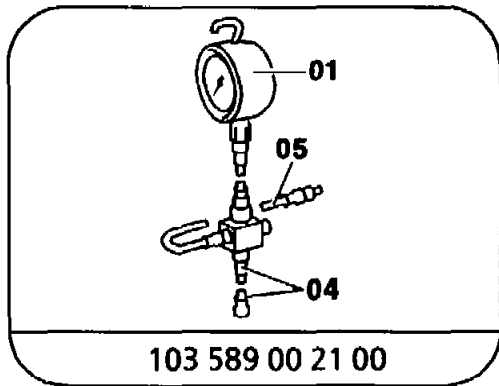
Number	Designation		Engine 119
BA14.10-P-1002-01B	Exhaust manifold flange connection / front exhaust pipe	Nm	20
BA14.10-P-1003-01B	Exhaust manifold screw	Nm	30

**Nm Exhaust system**

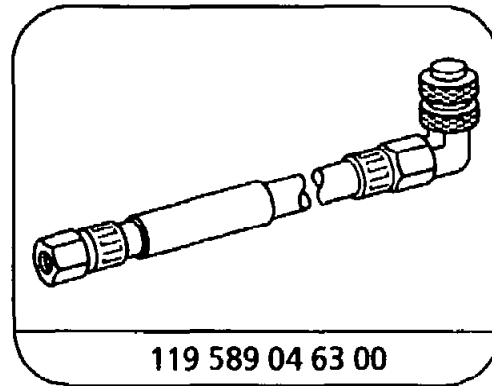
Number	Designation	Engine 119
BA49.10-P-1003-01A	Flange connection screw on transverse pipe/exhaust system	Nm 25

Repair materials

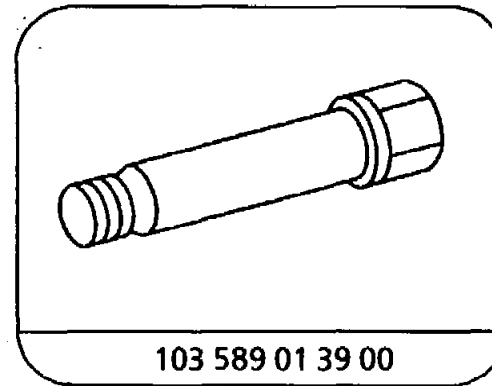
Number	Designation	Order no.
BR00.45-Z-1012-01A	Exhaust sealing compound	001 989 25 20



Tester



Pressure hose



Stop screw