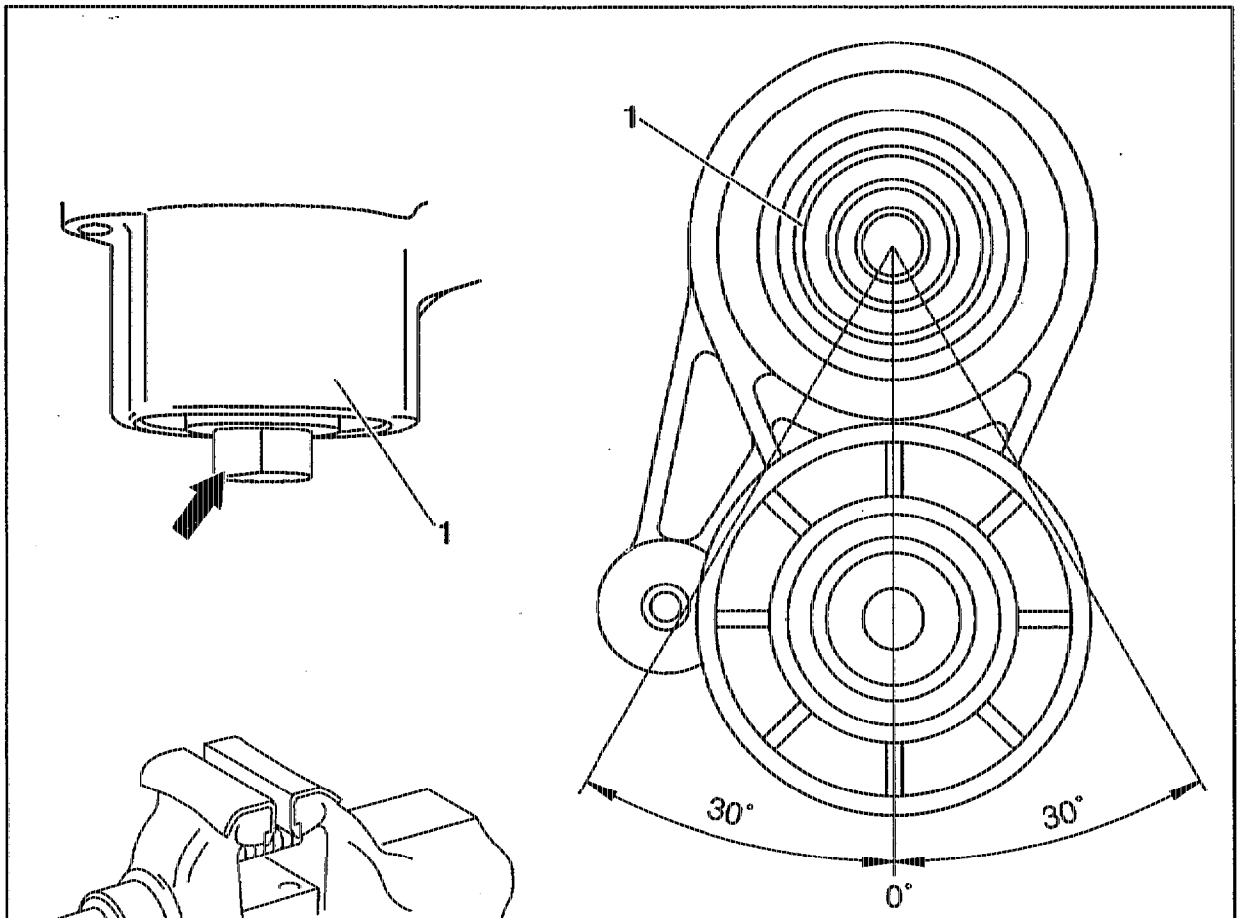


13-3452 Inspecting tensioning device (1st version)

Preceding work:
Tensioning device removed (13-3450).



P13-5131-57

Tensioning device (1)	fix in place at flats (arrow) (eg. vice).
Tensioning device (1)	turn about 30° to both sides.

Note

The tensioning device (1) must move back into its initial position after being turned.