

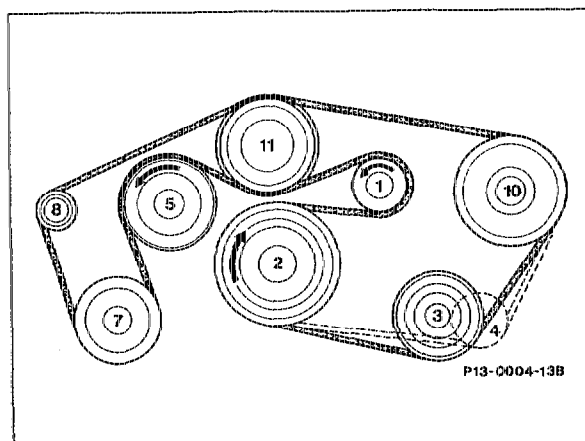
13-3440 Poly V-belts, running diagrams, dimensions

Engine 119.960, model 129.066

Running diagram with air pump

Belt length 2523 mm 6 grooves

- 1 Tensioning pulley
- 2 Crankshaft
- 3 AC compressor
- 4 Bottom guide pulley
- 5 Fan
- 7 Air pump
- 8 Alternator
- 10 Power steering pump
- 11 Coolant pump

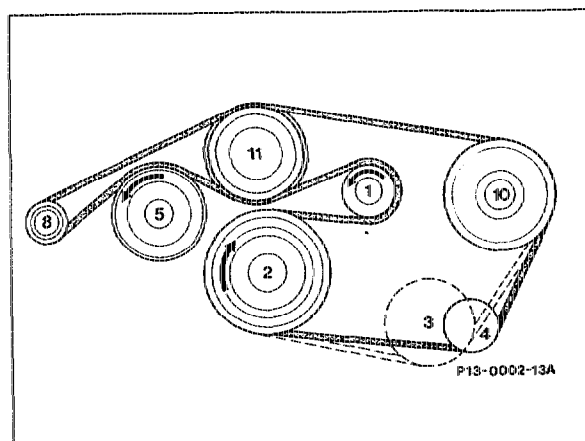


Engine 119.960, model 129.066

Running diagram without air pump

Belt length 2176 mm 6 grooves

- 1 Tensioning pulley
- 2 Crankshaft
- 3 AC compressor
- 4 Guide pulley
- 5 Fan
- 8 Alternator
- 9 Top guide pulley
- 10 Power steering pump
- 11 Coolant pump



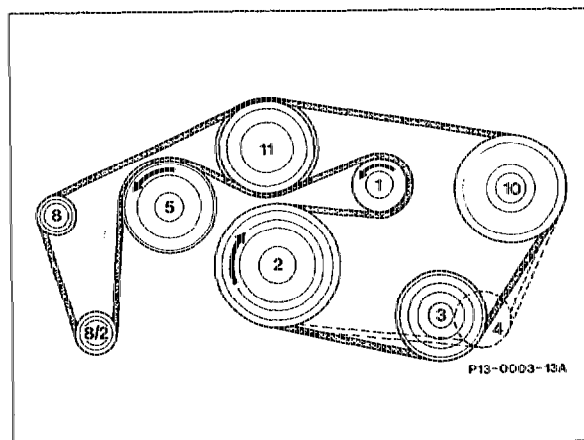
Engine 119.960, model 129.066

Running diagram without air pump

with 2nd alternator

Belt length 2449 mm 6 grooves

- 1 Tensioning pulley
- 2 Crankshaft
- 3 AC compressor
- 4 Guide pulley
- 5 Fan
- 7 Air pump
- 8 Alternator
- 8/2 2nd alternator
- 10 Power steering pump
- 11 Coolant pump



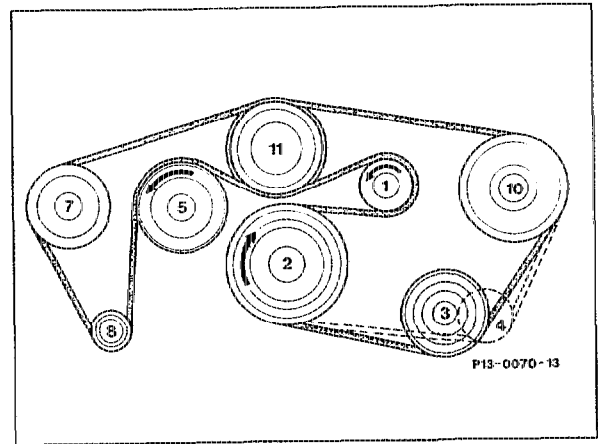
Engine 119.970 Model 140.050/051
 119.971 Model 140.042/043
 119.974 Model 124.036
 119.975 Model 124.034

Running diagram with air pump

Belt length 2460 ¹⁾ mm 8 grooves

- 1 Tensioning pulley
- 2 Crankshaft
- 3 AC compressor
- 4 Bottom guide pulley
- 5 Fan
- 7 Air pump
- 8 Alternator
- 10 Power steering pump
- 11 Coolant pump

¹⁾ Belt pulleys dia. 88.5 mm, up to 08/1991
 Belt pulleys dia. 104 mm, as of 09/1991:
 Belt length 2465 mm

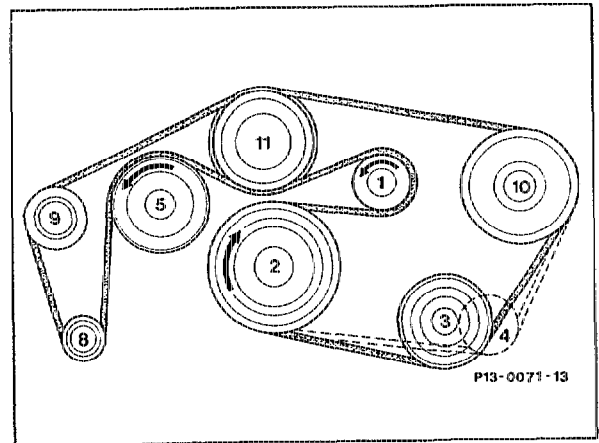


Engine 119.970 Model 140.050/051
 119.971 Model 140.042/043
 119.974 Model 124.036
 119.975 Model 124.034

Running diagram without air pump

Belt length 2460 mm 8 grooves

- 1 Tensioning pulley
- 2 Crankshaft
- 3 AC compressor
- 4 Bottom guide pulley
- 5 Fan
- 8 Alternator
- 9 Top guide pulley
- 10 Power steering pump
- 11 Coolant pump

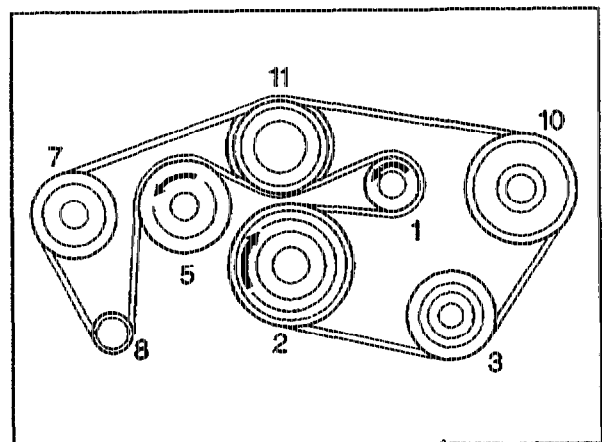


Engine 119.970 Model 140.050/051/070
 119.971 Model 140.042/043/063
 119.972 Model 129.067
 119.974 Model 124.036
 119.975 Model 124.034

Running diagram with air pump

Belt length 2535 mm 6 grooves

- 1 Tensioning pulley
- 2 Crankshaft
- 3 AC compressor
- 5 Fan
- 7 Air pump
- 8 120 A alternator
- 10 Power steering pump
- 11 Coolant pump

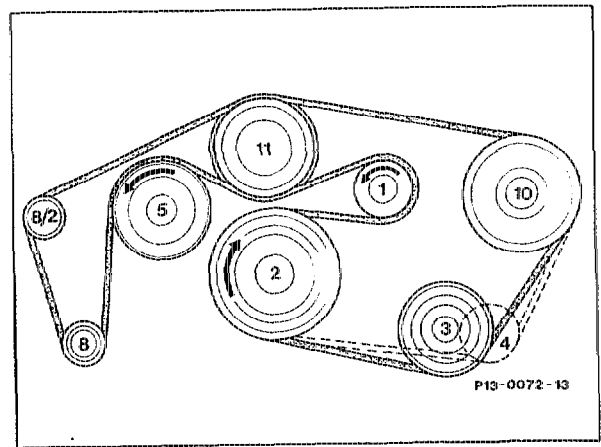


Engine 119.970 Model 140.050/051
 119.971 Model 140.042/043

Running diagram without air pump
 with 2nd alternator

Belt length 2465 mm 8 grooves

- 1 Tensioning pulley
- 2 Crankshaft
- 3 AC compressor
- 4 Bottom guide pulley
- 5 Fan
- 8 Alternator
- 8/2 2nd alternator
- 10 Power steering pump
- 11 Coolant pump



Engine 119.980 Model 140.050/051/070
 119.981 Model 140.042/043/063
 119.982 Model 129.067
 119.985 Model 210.072/272

Belt length without A/C compressor

2425 mm 6 grooves

Belt length with A/C compressor

2510 mm 6 grooves

- 1 Tensioning pulley
- 2 Crankshaft
- 3 A/C compressor
- 5 Fan
- 8 Generator
- 9 Top guide pulley
- 10 Power steering pump
- 11 Coolant pump

