

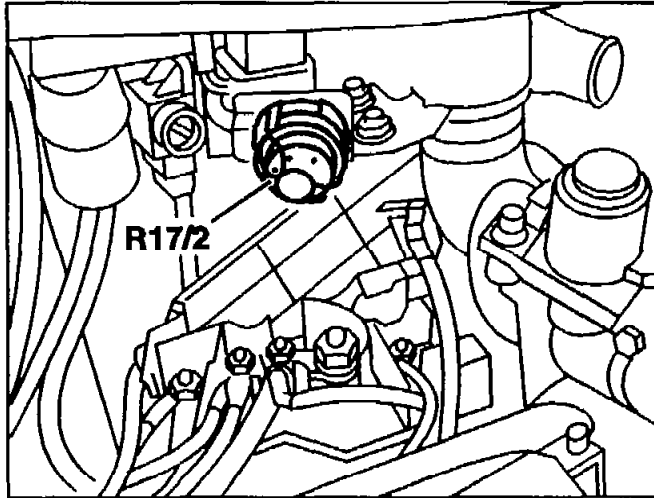
D1

AR07.41-P-1459E

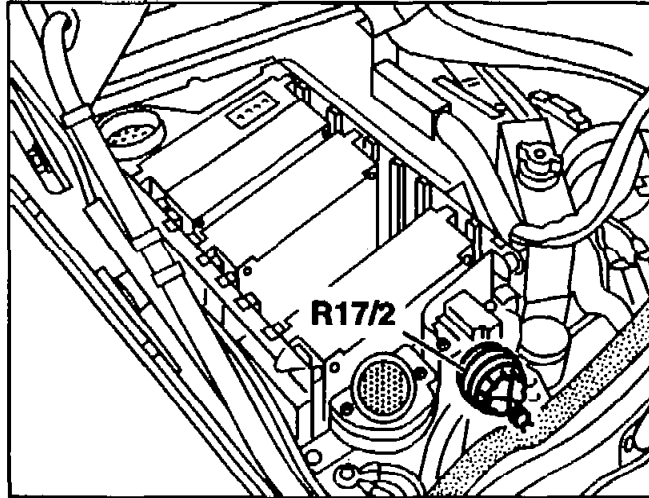
Removing and installing LH-SFI variable reference resistor

13.7.94

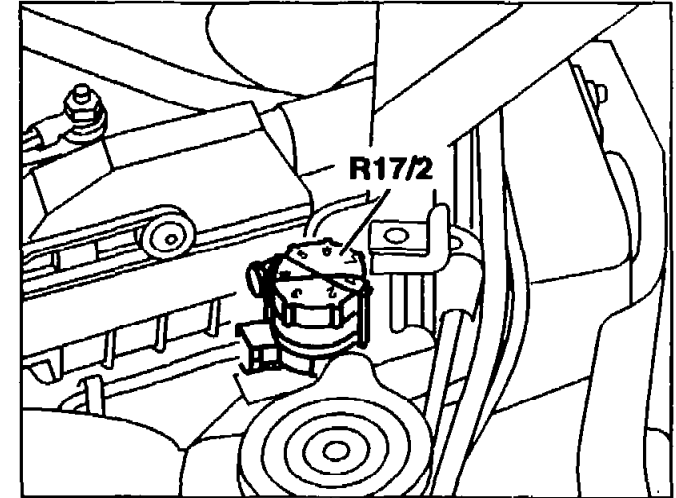
**ENGINE 119.97 in MODEL 124.03, 129, 140**



P07.41-0205-01



P07.41-0206-01






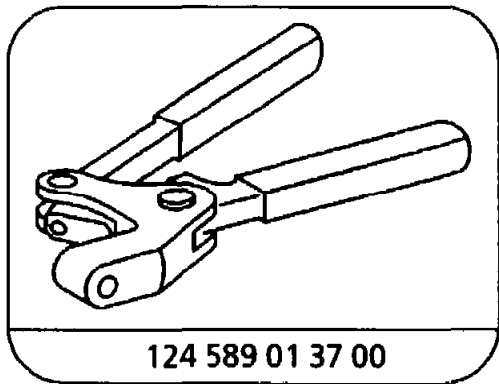
P07.41-0207-01

Model 124.03

Model 129

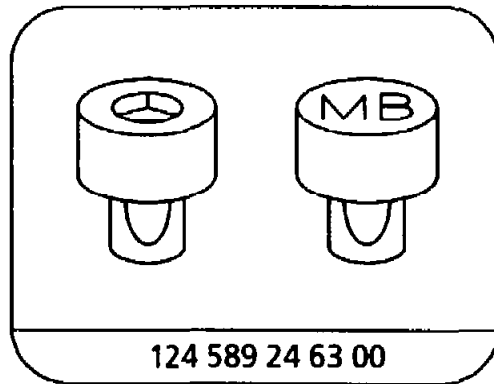
Model 140

Fig. item, etc.	Work instructions		
R17/2	LH-SFI variable reference resistor	see Diagnosis Manual Engine, Volume 1, Index A. Pay attention to correction position; install new anti-tamper seal  	124 589 01 37 00 124 589 24 63 00
 BT	LH-SFI variable reference resistor modified		BT07.41-P-0001-01A <b>F17</b>



124 589 01 37 00

Anti-tamper seal pliers



124 589 24 63 00

Embossing set