

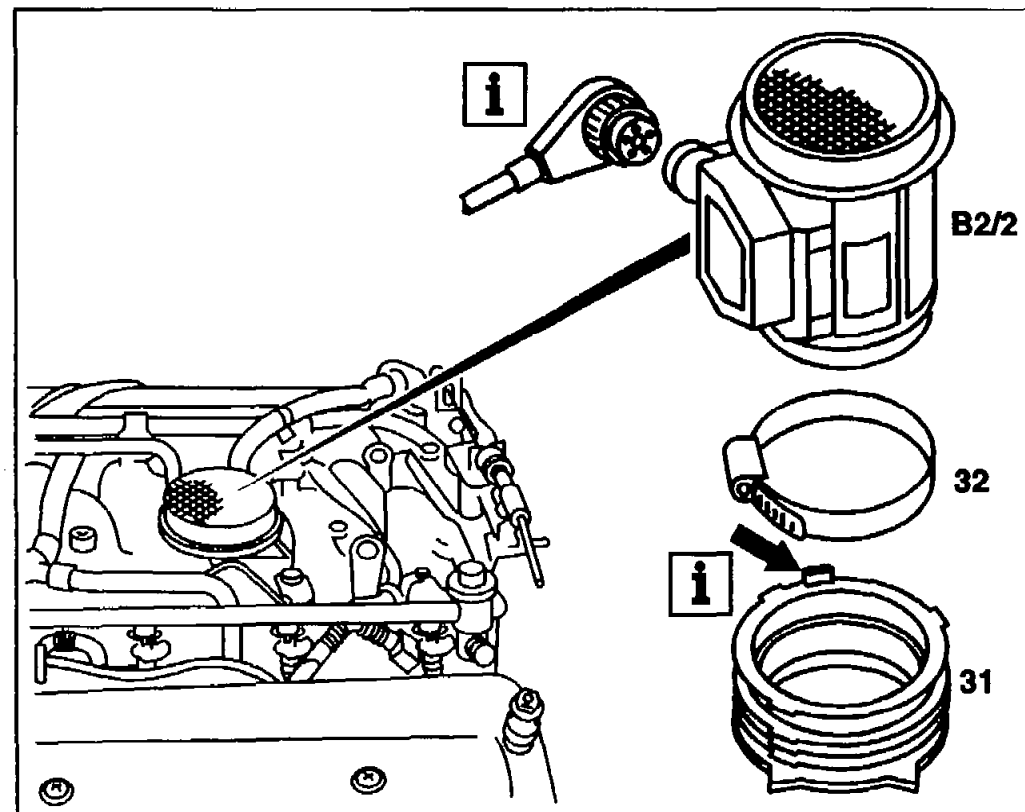


B1 AR07.41-P-1453E **Removing and installing hot wire mass air flow sensor**

13.7.94



ENGINE 119.97

- 31 Connection hose
- 32 Hose clip
- B2/2 Hot wire mass air flow sensor
- Arrow Installation stud



P07.41-0204-11

Fig. item, etc.	Work instructions		
i Installation	Coupling of hot wire mass air flow sensor (B2/2)	Tighten union nut until it locks in place	

31	Connection hose	 replace, if necessary  Pay attention to installation position (arrow) of connection hose/hot wire mass air flow sensor (B2/2)	
32	Hose clip	slacken, tighten; detach vacuum pipe for brake servo unit, if necessary for this step	WH58.30-P-1002-06A

Commercially available tools (see Workshop Equipment Manual)

Number	Designation	Make (e.g.)	Order number
WH58.30-P-1002-06A	7 mm wrench hexagon on flexible shaft for hose clips with worm drive	Hazet Güldenwerther Bahnhofstraße 25-28 D-42857 Remscheid	426-7