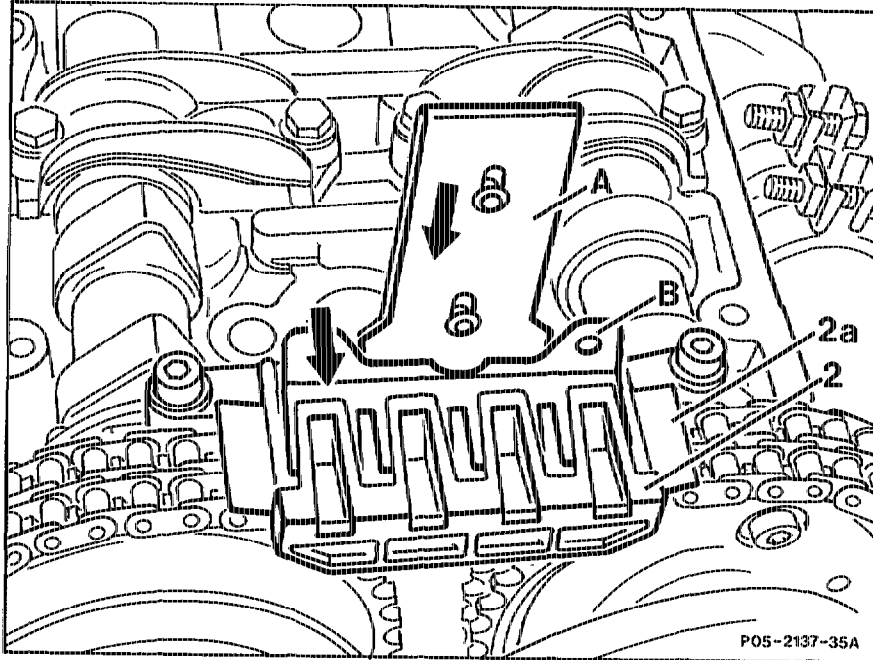


05-3350 Removing and installing guide rails at top of cylinder head

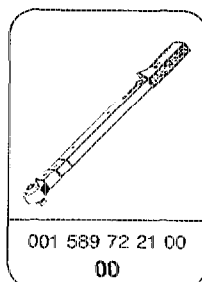
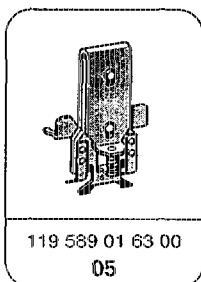
Preceding work:

Valve covers removed (01-0500).



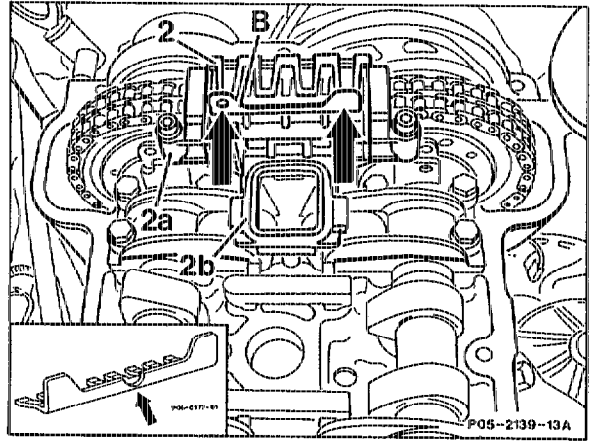
Release device (B)	insert into top detents, special tool 119 589 01 63 03 (step 1).
Pusher (A)	fit onto the rail, special tool 119 589 01 63 00 (steps 2 to 3).
Pusher (A)	push down (step 4).
Front part of guide rail (2)	take off.
Guide rail (2a) with rubber gasket	unbolt, bolt on (9 Nm).

Special tools

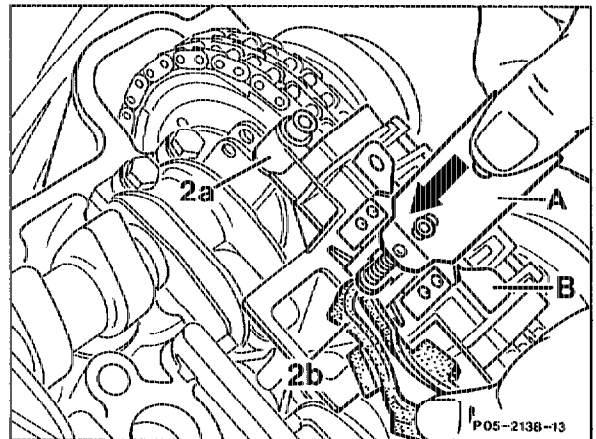


Removing, installing

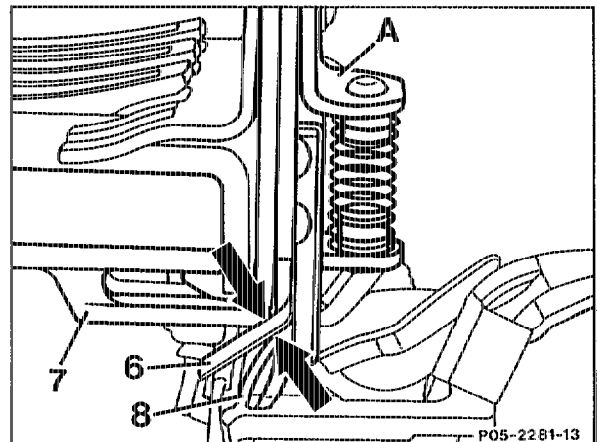
1 Release top detent of rail by inserting the release tool (B) in direction of arrow between bottom part of slide rail (2a) and top part (2).



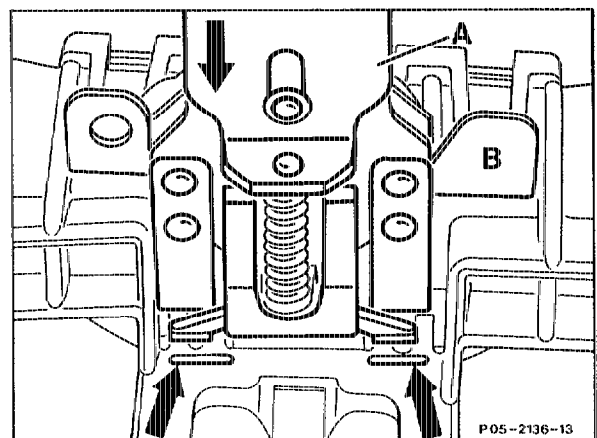
2 Raise rubber gasket (2b) so that pusher (A) can be inserted at the slide rail (2a).



3 Guide the metal tabs (6) of the pusher (A) through between the bottom detent (7) and the locking tabs (8) (arrows).



4 Introduce pusher (A) into the slots (arrows) of the rail and press down vertically at the handle until front part of slide rail can be removed.



Installation instruction

Ensure engaging points are correctly positioned.

5 Unscrew bottom part of slide rail (2a), tightening torque 9 Nm.