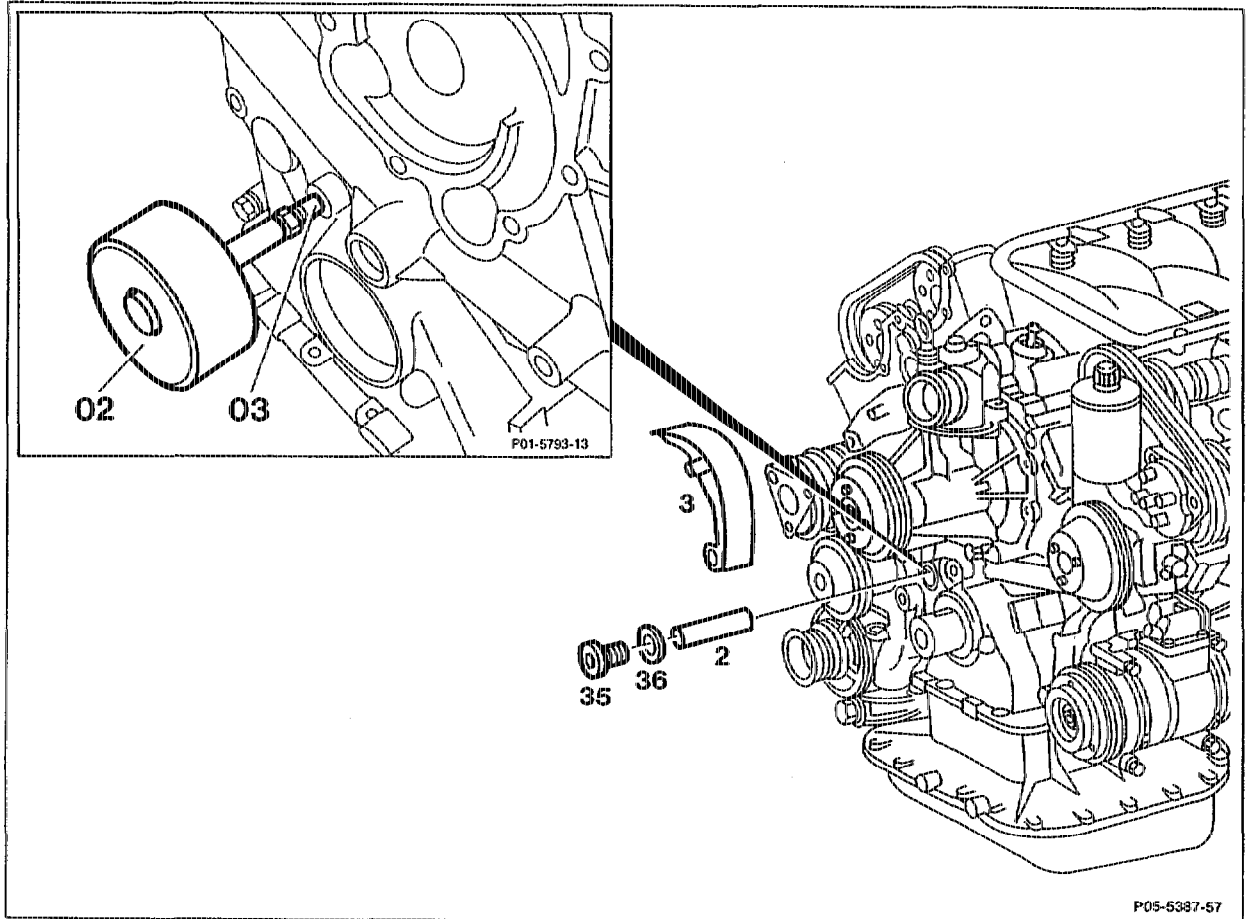


## 05-3300 Removing and installing tensloning rail

### Preceding work:

Right camshaft adjuster removed (05-2170).  
Belt pulley/vibration damper removed (03-3420).

Operation no. of operation texts and work units or standard texts  
and flat rates  
05-8126



Screwplug (35) with seal (36) ..... unscrew, screw on (10 Nm).

Tensioning rail pin (2) ..... pull off with impact extractor (02) and threaded insert (03), special tools 116 589 20 33 00 and 116 589 02 34 00.

Tensioning rail (3) ..... pull out of chain housing, insert.

Tensioning rail pin (2) ..... push in.

### Note

Insertion size: pin to sealing ring contact (timing case cover), maintain 10 mm.