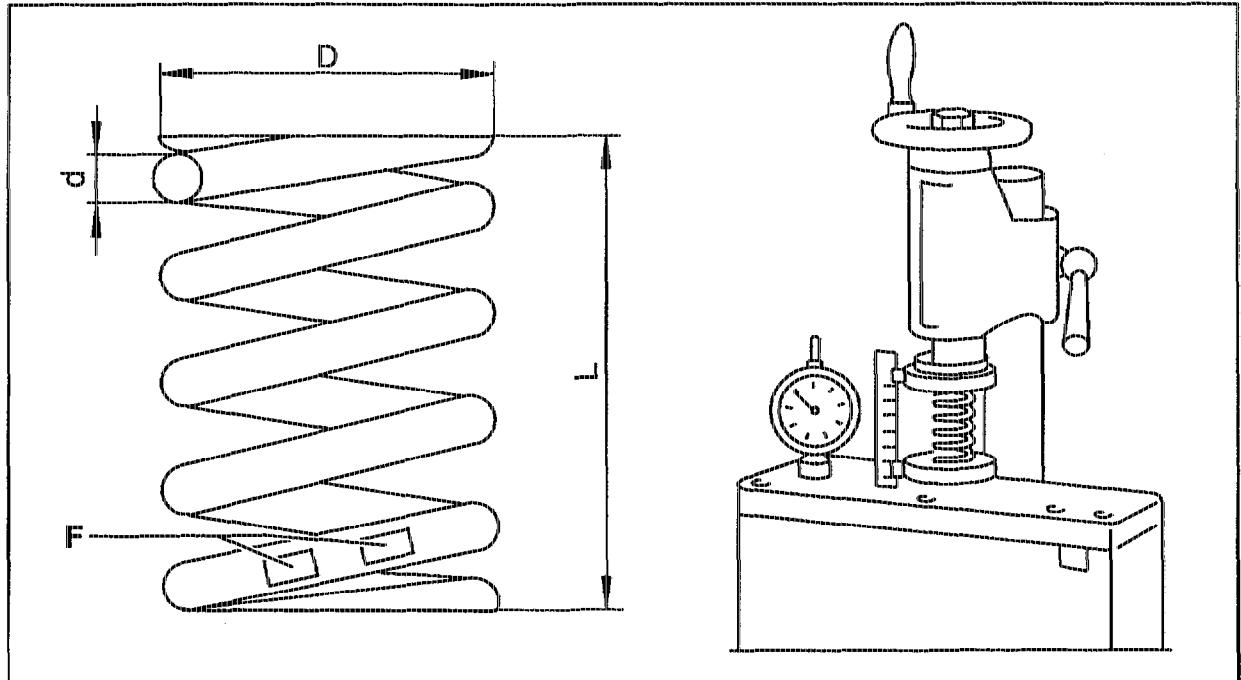


05-2600 Inspecting valve springs

Preceding work:
Valve springs removed (05-2500)

Operation no. of operation texts and work units or standard texts
and flat rates



P05-5506-55

Valve springs

clean.



Replace valve springs which are not to dimensional tolerance, are corroded, have surface rust, mechanical damage or worn at the ends.

Color coding on valve springs

check, match, see table.

Spring force

measure at pretensioned length.
If the valve springs do not achieve the specified spring force, they cause a loss of frictional connection at high engine speeds and should be replaced.



Data for M119

	Valve spring part no.	Color coding (F)	Outer Ø (D) mm	Wire Ø (d) mm	Length untensioned (L) mm	Length L1 and L2 initially tensioned spring force in N	
						L1 / N	L2 / N
1st version cylindrical-shaped	119 053 01 20 (outer)	yellow/blue	29.6	3.9	40	33 / 225	23 / 575
1st version cylindrical-shaped	119 053 01 22 (inner)	yellow/blue	20.7	2.4	41.6	30 / 100	20 / 205
2nd version conical-shaped	119 053 02 20	purple or yellow/blue	<u>24.42</u> 30.22	oval	40.8	33 / 250	23.5 / 630
2nd version conical-shaped	119 053 08 20	purple/blue	<u>23.40</u> 29.20	3.7	40.1	33 / 250	24.1 / 600
2nd version conical-shaped	119 053 04 20	purple or yellow/red	<u>23.76</u> 29.56	oval	41.9	33 / 210	24.5 / 465
2nd version conical-shaped	119 053 09 20	yellow/green	23.00 28.80	3.5	41.7	33 / 220	24.5 / 475
2nd version conical-shaped	119 053 07 20	purple/white	<u>22.80</u> 28.60	3.4	41.9	33 / 210	24.5 / 465