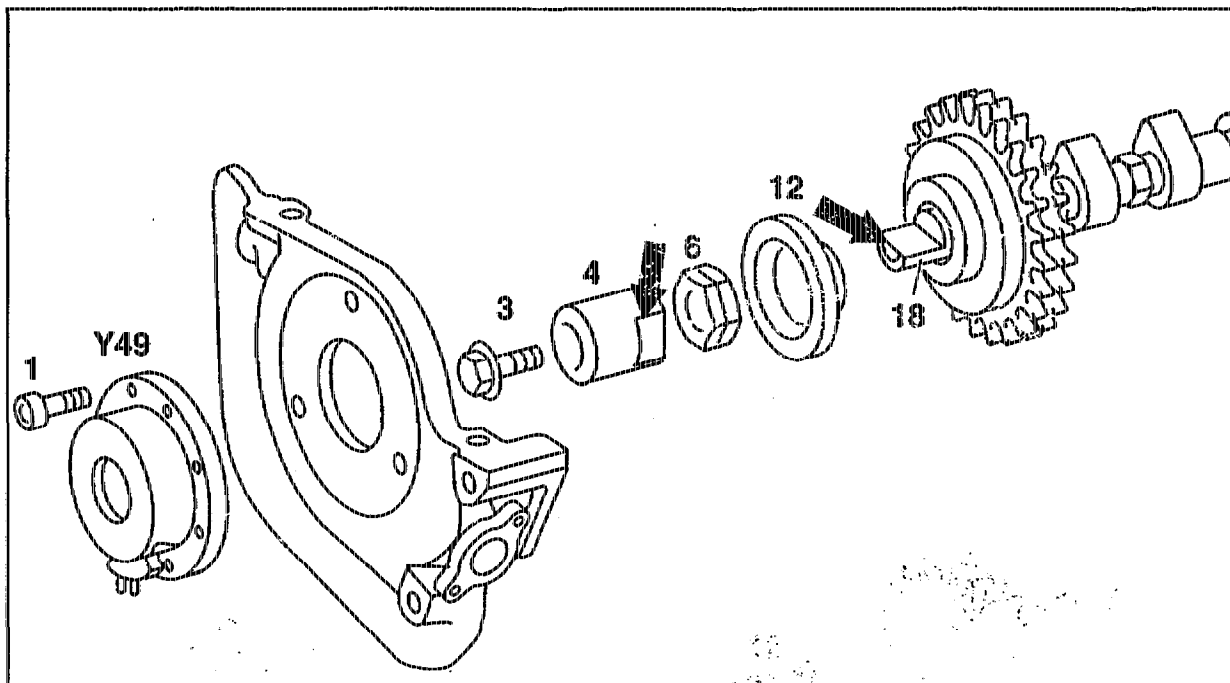


05-2175 Armature and solenoid at camshaft adjuster



P05.20-0249-55

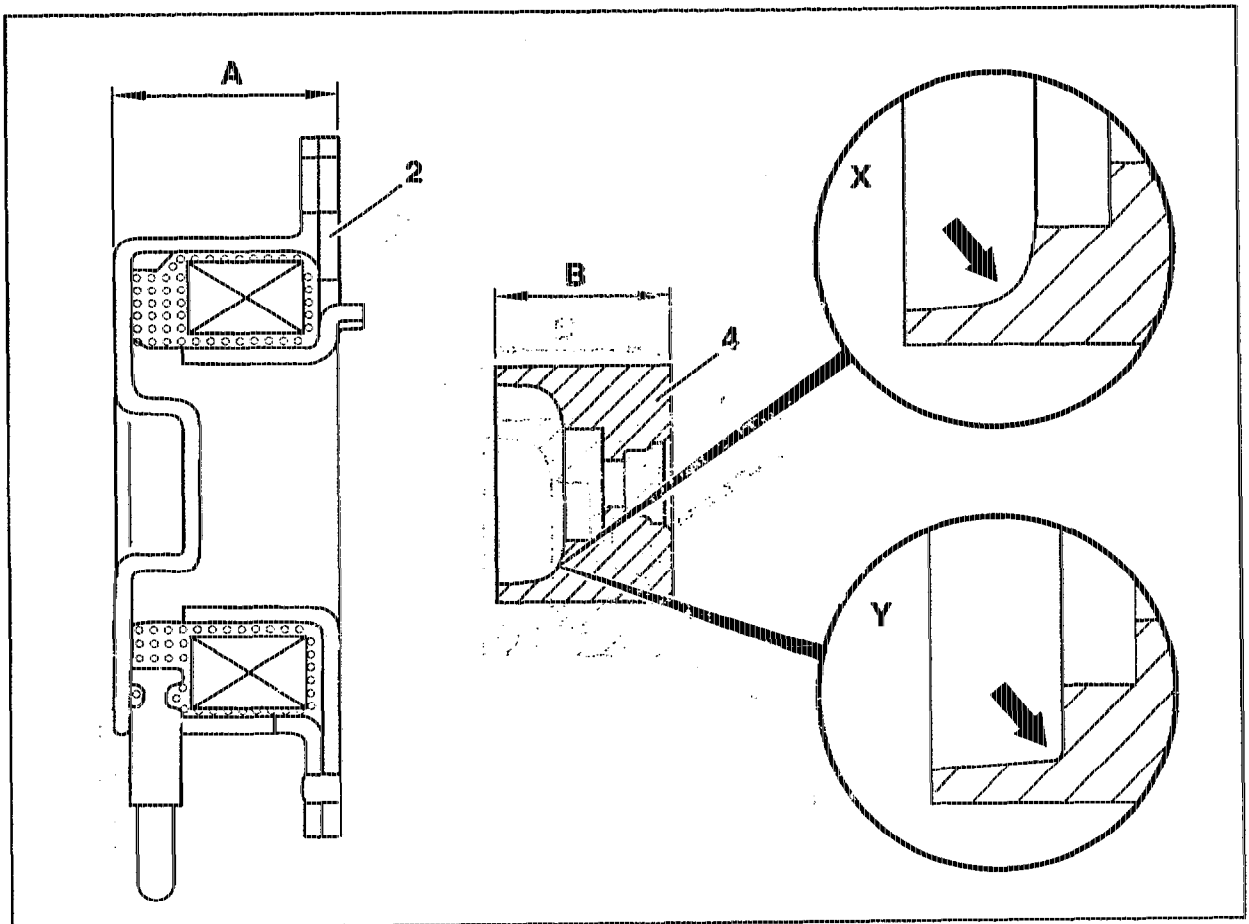
Solenoid (Y49) .....	unbolt, bolt on.
Solenoid (Y49) .....	coat sealing surface with sealant 002 989 47 20 10.
M6 × 16 bolts (1) .....	tighten.
Front cover (7) .....	remove, install (05-2170).
Armature (4) with M5 × 11 bolt (3) .....	unscrew, screw on; counter-hold armature (4) at flats (arrow) for this step; see table for tightening torque; armature (4) can be fitted onto control plunger (18) only in fixed position (arrow).

⚠ It is not permitted to re-use the bolt (3).

**Note**  
The armature (4) together with the control plunger (18) must move freely from stop to stop after the nut (6) has been tightened to the specified torque of 65 Nm.



For operational reasons, the different versions of the armature (4) and of the solenoid (2) must only be installed in the specified combination (see table for matching).



P05.20-0250-57

**Matching armature and solenoid**

1st version	Part no.	Size A in mm	Size B in mm	Identification
Armature (4)	104 051 04 43	--	21	see arrow X
Solenoid (2)	104 050 01 77	27.1	--	--
2nd version				
Armature (4)	119 051 00 43	--	23	see arrow Y
Solenoid (2)	119 051 00 77	29.1	--	--

**Tightening torques in Nm and tightening angle**

Bolt of armature to control plunger	1st version <sup>1)</sup> bolt + washer	7
	2nd version <sup>2)</sup> collar bolt	5 +
	Tightening angle	90°
Bolts of solenoid to front cover		10

<sup>1)</sup> Replace with 2nd version when performing repairs

<sup>2)</sup> Use only once