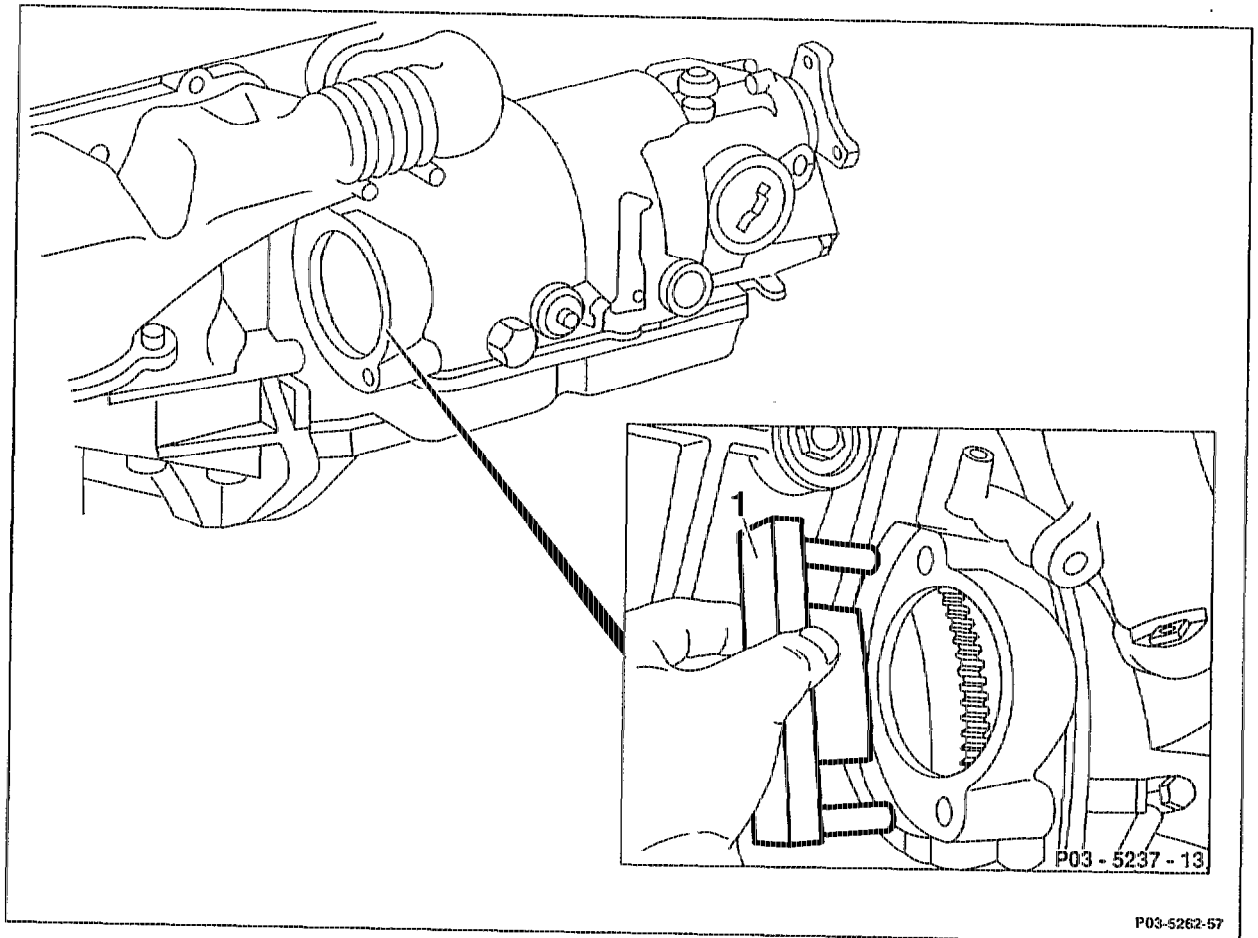


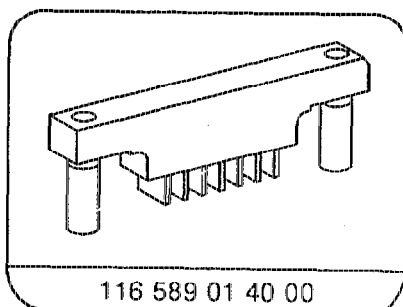
03-5000 Removing and installing retaining lock for crankshaft/ring gear

A. With transmission installed



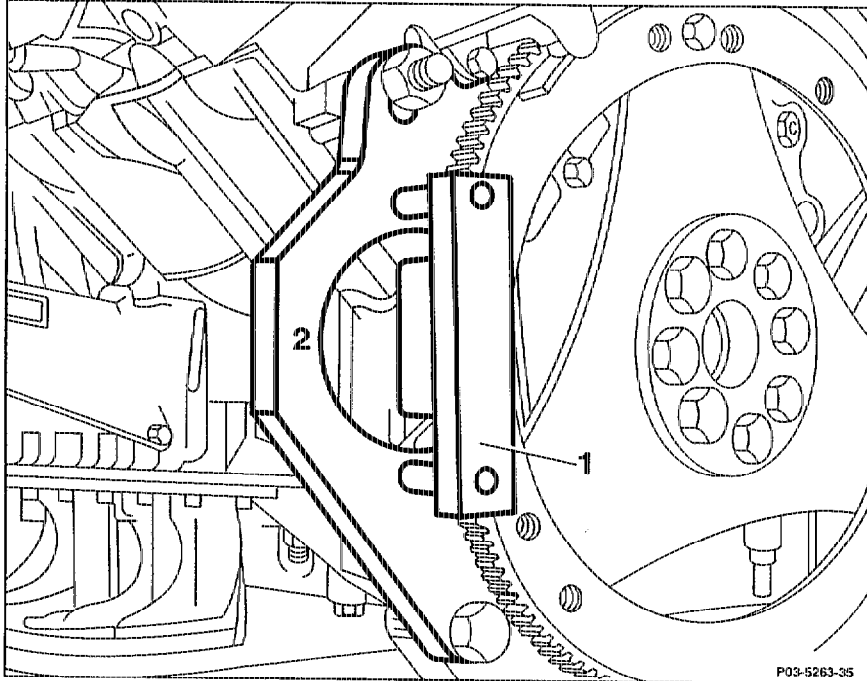
- | | |
|---|--|
| Models 124, 129, 140: left front exhaust cross pipe | remove, install (49-0170). |
| Cover at left starter recess | remove, install. |
| Retaining lock (1) | insert into ring gear until it engages, rotate crankshaft if necessary, special tool 116 589 01 40 00. |

Special tool



B. With transmission removed

Preceding work:
Transmission removed (27-600).



- | | |
|---|--|
| Bracket (2) on left side of crankcase | bolt on, unbolt, special tool
119 589 00 40 00. |
| Retaining lock (1) | insert into bracket (2) and insert into ring gear
until it engages, rotate crankshaft if necessary,
special tool 116 589 01 40 00. |

Special tools

