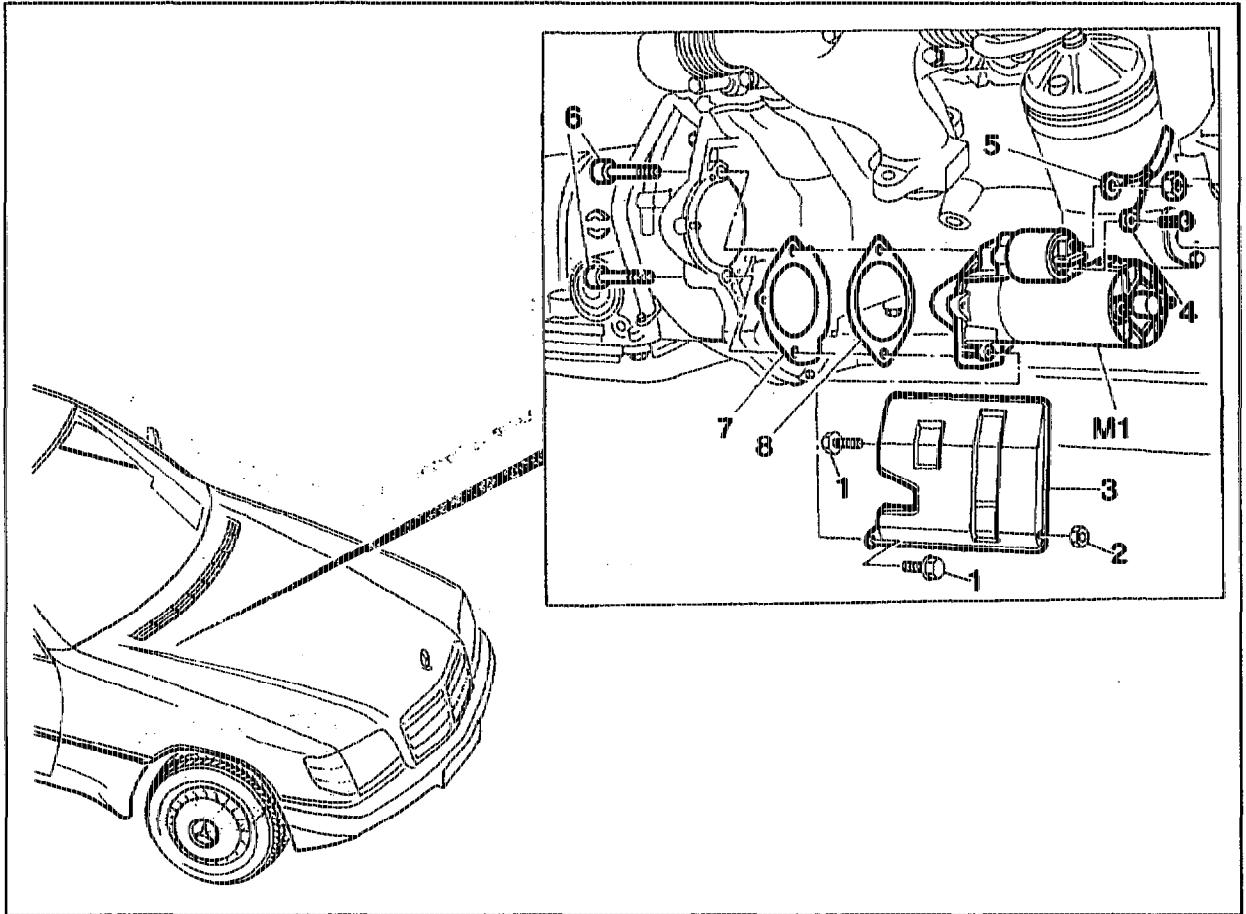


03-4350 Adjusting clearance of ring gear to starter

Preceding work:
Starter removed (AR15.30-7100?)



P15-5024-57

Clearance of starter to ring gear adjust with shims (7, 8).

Note

The specified positioning of the starter relative to ring gear is adjusted by shims (7, 8). The correct clearance ensures that the starter pinion engages and releases properly. When performing removal and installation work, pay attention to shims (7, 8) and adjust clearance of ring gear to starter, if necessary.

Clearance of ring gear to starter in mm

Clearance of rear edge of crankcase to front edge of ring gear	No. of shims fitted at starter
14.3 to 15.2	0
13.3 to 14.2	1
12.3 to 13.2	2