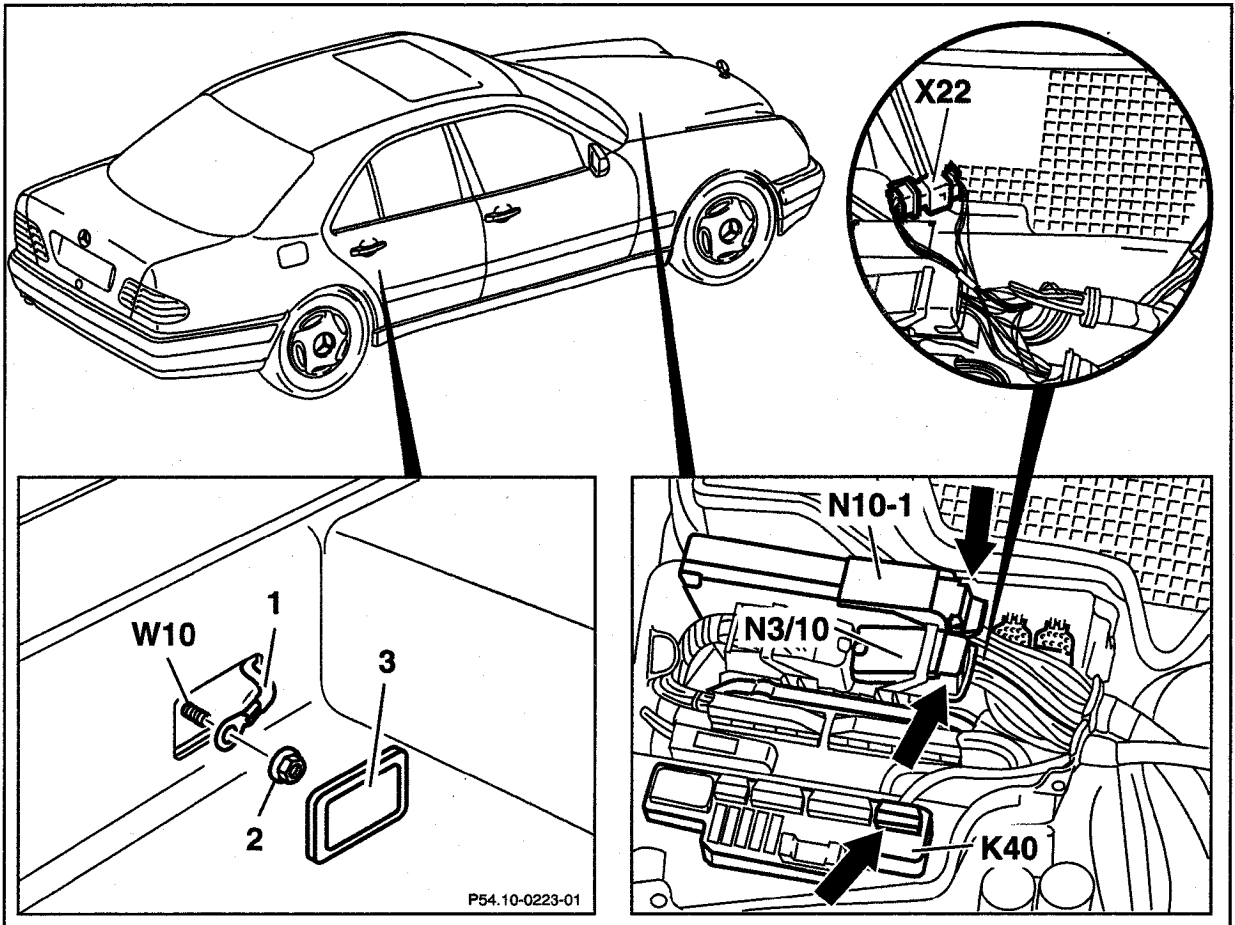


01-0310 Disconnecting, connecting engine wiring harness

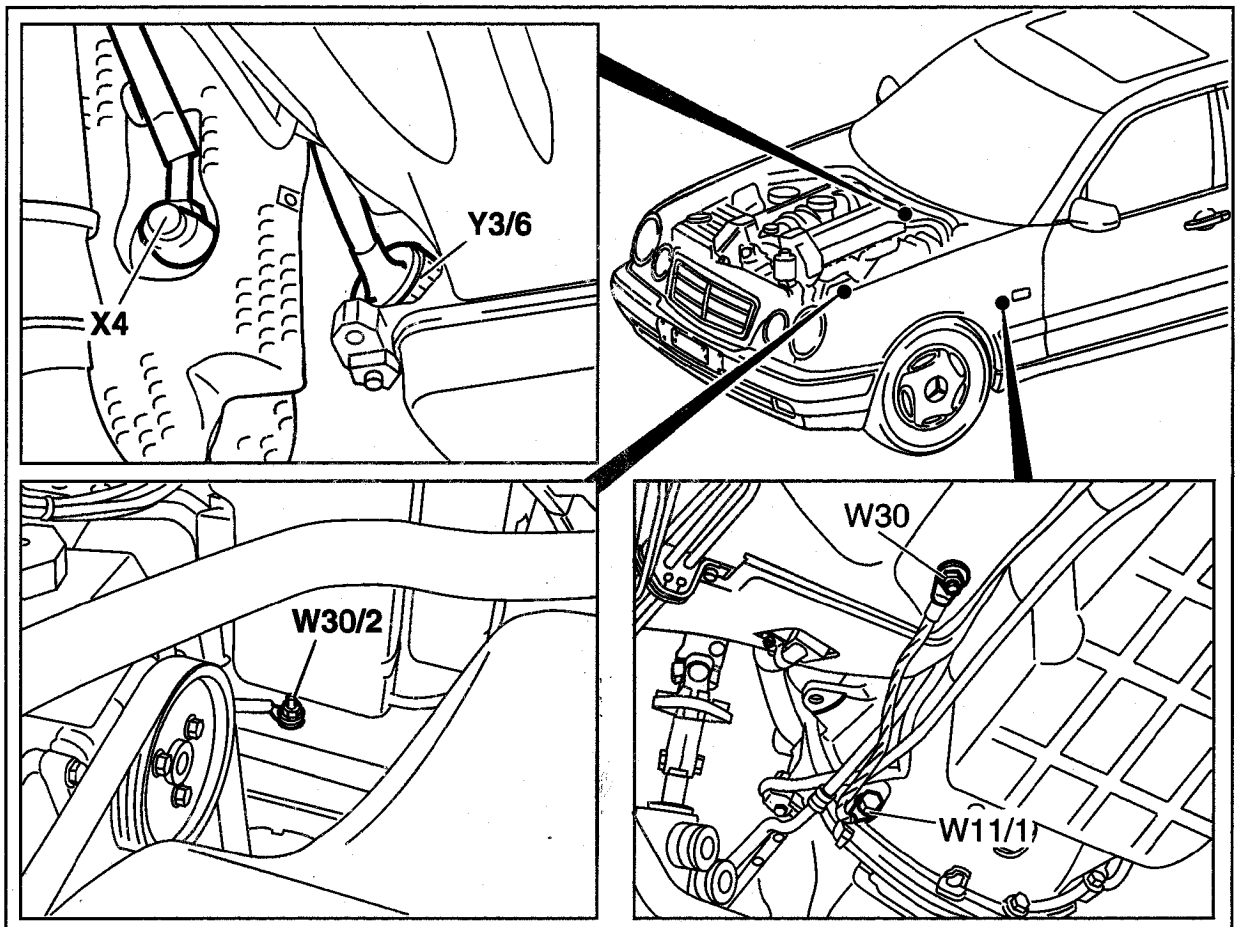
Model 210



P54.10-0223-01

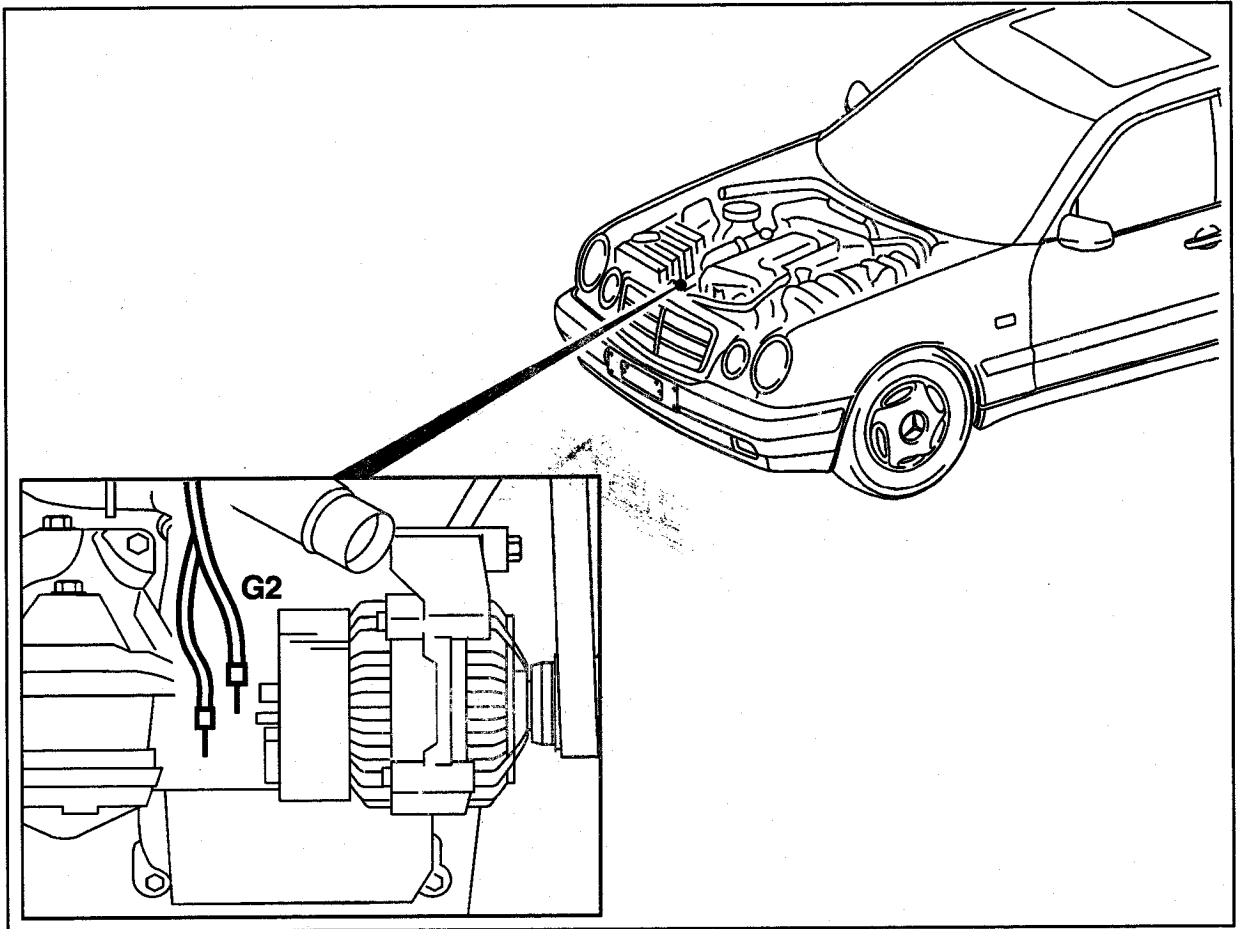
P01.10-0257-57

- | | |
|--|--|
| Ground cable at battery (W10) below rear seat on right | disconnect, connect (AR54.10-0003A). |
| Cover over engine component compartment | remove, install. |
| Connector (arrow) at control module (N10-1) | unplug, plug in to gain access to plug connection (X22). |
| Plug connection (X22) | separate, connect. |
| Connector (arrow) at control module (N3/10) of engine management system (ME-SFI) | unplug, plug in. |
| Connector (arrow) at relay unit (K40) | unplug, plug in. |



P01.10-0258-57

Shields over terminal block (X4) in right footwell and electric transmission control unit (Y3/6)	unbolt, bolt on.
Cable (circuit 30) with bracket at terminal block (X4) (right footwell) and electric transmission control unit (Y3/6)	unbolt, bolt on.
Power steering pump interference suppression ground (W30/2)	unbolt, bolt on.
Ground cable (W11/1) at engine	unbolt, bolt on.



P01.10-0271-57

Wiring at generator (G2) unbolt, bolt on.