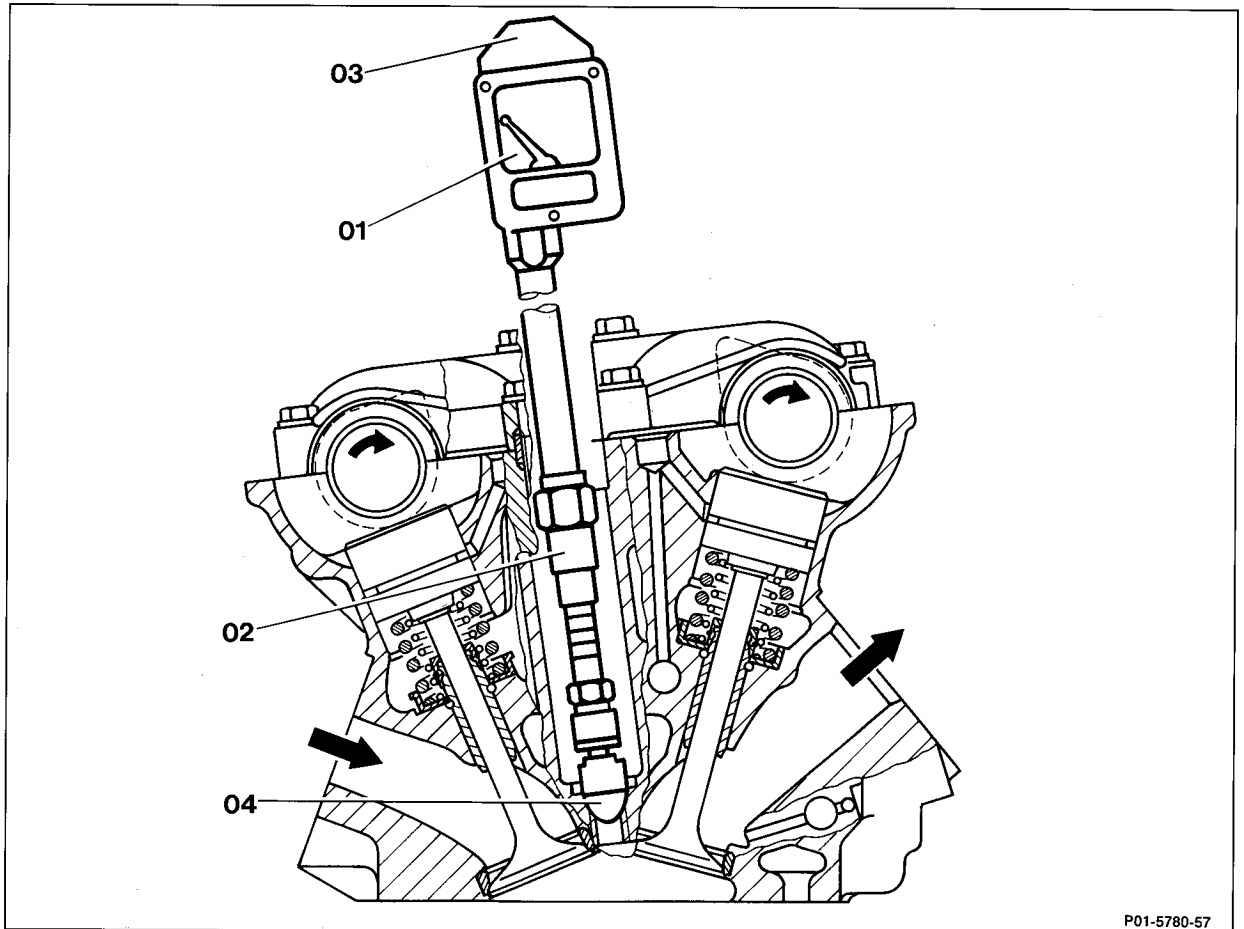


01-0100 Testing compression pressure

Operation no. of operation texts and work units or standard texts
and flat rates
01-1200



P01-5780-57

- 01 Compression tester, special tool 001 589 77 21 00
- 02 Adaptor
- 03 Diagram sheet
- 04 Sealing cone

Engine	warm up to operating temperature.
Spark plugs	remove, install (15-1031).
Engine	crank with starter to expel residues and soot (01-0110).
Diagram sheets (03)	insert into compression tester (01).

- Compression push tester (01) into spark plug hole of relevant cylinder.
- Engine crank about 8 revolutions with starter (01-0110).
- All the cylinders check in this way.
- Spark plug recesses blow out with compressed air.
- If minimum compression pressure not reached, .. check cylinders for leaks (01-0150).

Test data for engine at normal operating temperature, pressure in bar

Compression pressure at	Normal compression	min. 10	max. 14
	Fuel-optimised	min. 6	max. 10
Permissible difference between individual cylinders		max. 1.5	

Special tools

