




G17	BT00.00-X-1000Z	Technical modifications	21.6.99
------------	-----------------	--------------------------------	----------------

BT47.10-P-0002-01A	Sound insulation mat discontinued, fuel tank modified		H17
BT47.10-P-0001-01A	Lever sender replaces immersed pipe sender		J17
BT47.10-P-0003-01A	Expansion reservoir with filler neck modified	Model 202 as of 1.3.96	K17
BT47.20-P-0001-01A	Screw spindle pump replaces double fuel pump unit		L17
BT47.20-P-0002-01A	Fuel pump modified	Model 202.028 C 36 AMG	P17




H17	BT47.10-P-0002-01A	Sound insulation mat discontinued, fuel tank modified		 BT
------------	--------------------	---	--	---

Production breakpoint/Modifications/New features

<i>World manuf. code</i>	<i>Model</i>	<i>LHS RHS</i>	<i>Prod. plant</i>	<i>Veh. ident end no. as of</i>	<i>Veh. ident end no. up to</i>	<i>Prod. period as of</i>	<i>Prod. period up to</i>	<i>Nature and reason for modification</i>	<i>Reference/Remarks</i>
	202.1			274987					
	202.0			274052					

Sound insulation mat at fuel tank is discontinued; about 7 studs are fitted to the fuel tank instead.



J17	BT47.10-P-0001-01A	Lever sender replaces immersed pipe sender		 BT
-----	--------------------	--	--	--

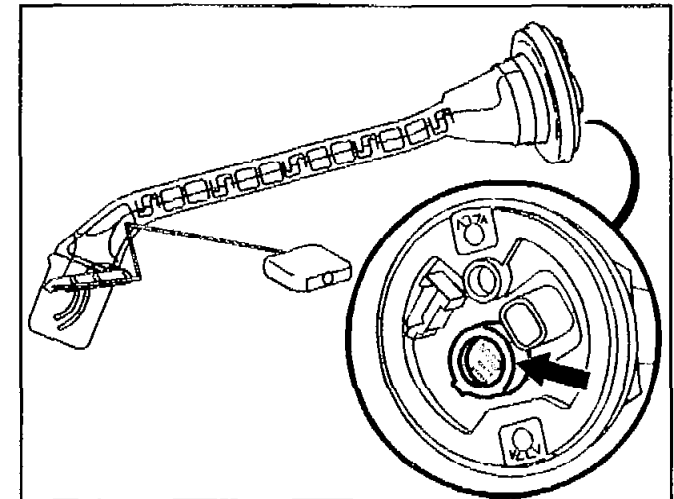
Standard production breakpoints/Modifications/New features

World manuf. code	Model	LHS RHS	Prod. plant	Veh. ident end no. as of	Veh. ident end no. up to	Prod. period as of	Prod. period up to	Nature and reason for modification	Reference/Remarks
	140					1.4.95			
	129					1.10.95			

A lever sender is installed in place of the immersed pipe sender.

Modifications:

- fastened with a bayonet catch
- pressure sensor (arrow) for purging the activated charcoal canister (USA only)



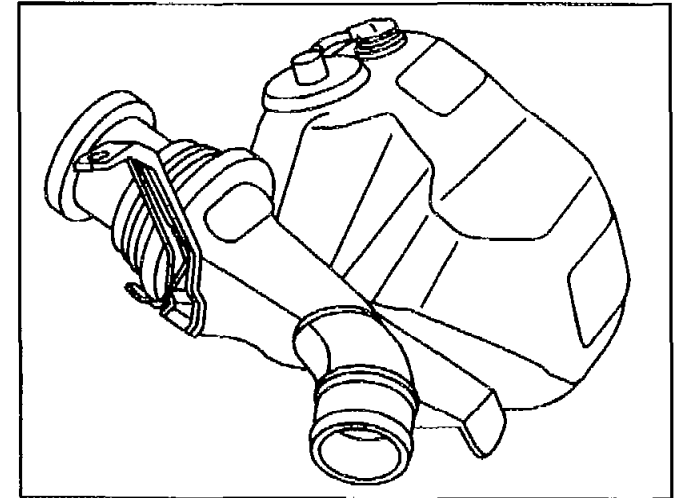
P47.10-0286-01



K17	BT47.10-P-0003-01A	Expansion reservoir with filler neck modified	Model 202 as of 1.3.96	
-----	--------------------	---	------------------------	--


MODEL 202 as of 1.3.96

An expansion reservoir with filler neck and modified attachment points has been installed as phased-in measure as of 3/96.



P47.10-0361-01



L17	BT47.20-P-0001-01A	Screw spindle pump replaces double fuel pump unit		 BT
------------	--------------------	---	--	---

Standard production breakpoints/Modifications/New features

<i>World manuf. code</i>	<i>Model</i>	<i>LHS RHS</i>	<i>Prod. plant</i>	<i>Veh. ident end no. as of</i>	<i>Veh. ident end no. up to</i>	<i>Prod. period as of</i>	<i>Prod. period up to</i>	<i>Nature and reason for modification</i>	<i>Reference/Remarks</i>
	124.008		I			1.8.94			
	124.028		I			1.8.94			
	124.029		I			1.8.94			
	124.088		I			1.8.94			
	124.008		B			1.2.95			
	124.028		B			1.2.95			
	124.029		B			1.2.95			
	124.088		B			1.2.95			
	124.032		I			1.8.94			
	124.052		I			1.8.94			
	124.066		I			1.8.94			
	124.092		I			1.8.94			
	124.032		B			1.2.95			
	124.052		B			1.2.95			
	124.066		B			1.2.95			
	124.092		B			1.2.95			
	124.019		I			1.8.94			
	124.040		I			1.8.94			



Standard production breakpoints/Modifications/New features

<i>World manuf. code</i>	<i>Model</i>	<i>LHS RHS</i>	<i>Prod. plant</i>	<i>Veh. ident end no. as of</i>	<i>Veh. ident end no. up to</i>	<i>Prod. period as of</i>	<i>Prod. period up to</i>	<i>Nature and reason for modification</i>	<i>Reference/Remarks</i>
	124.060		I			1.8.94			
	124.079		I			1.8.94			
	124.019		B			1.2.95			
	124.040		B			1.2.95			
	124.060		B			1.2.95			
	124.079		B			1.2.95			
	124.022		I			1.8.94			
	124.042		I			1.8.94			
	124.062		I			1.8.94			
	124.082		I			1.8.94			
	124.022		B			1.2.95			
	124.042		B			1.2.95			
	124.062		B			1.2.95			
	124.082		B			1.2.95			
	124.034		I			1.8.94			
	124.034		B			1.2.95			
	124.036		I			1.8.94			
	124.036		B			1.2.95			
	129.058					1.10.94			
	129.063					1.10.94			
	129.067					1.10.94			

Standard production breakpoints/Modifications/New features

<i>World manuf. code</i>	<i>Model</i>	<i>LHS RHS</i>	<i>Prod. plant</i>	<i>Veh. ident end no. as of</i>	<i>Veh. ident end no. up to</i>	<i>Prod. period as of</i>	<i>Prod. period up to</i>	<i>Nature and reason for modification</i>	<i>Reference/Remarks</i>
	129.076					1.10.94			
	140.028					1.9.94			
	140.032					1.9.94			
	140.033					1.9.94			
	140.042					1.9.94			
	140.043					1.9.94			
	140.050					1.9.94			
	140.051					1.9.94			
	140.063					1.9.94			
	140.070					1.9.94			
	140.056					1.9.94			
	140.057					1.9.94			
	140.076					1.9.94			
	202.028					1.11.94			
	202.018					1.11.94			
	202.020					1.11.94			
	202.022					1.11.94			
	202.023					1.11.94			
	202.024					1.11.94			
	202.025					1.11.94			
	202.078					1.11.94			

**Standard production breakpoints/Modifications/New features**

<i>World manuf. code</i>	<i>Model</i>	<i>LHS RHS</i>	<i>Prod. plant</i>	<i>Veh. ident end no. as of</i>	<i>Veh. ident end no. up to</i>	<i>Prod. period as of</i>	<i>Prod. period up to</i>	<i>Nature and reason for modification</i>	<i>Reference/Remarks</i>
	202.080					1.11.94			
	202.083					1.11.94			

The previous double fuel pump set has been replaced as a phased-in measure by a Pierburg fuel pump (screw spindle pump).

i Use the hose clips listed in the parts microfiche for attaching the fuel hoses.

Modifications:

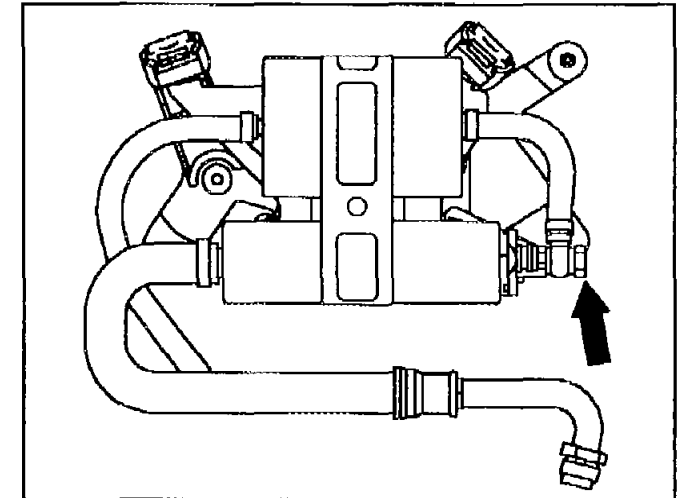
- Fuel pump (screw spindle pump)
- Steel fuel pipe from fuel pump to fuel filter replaced by fuel hose. Installed with hose clips
- Fuel feed pipe no longer bolted on, but inserted and installed with hose clip



P17	BT47.20-P-0002-01A	Fuel pump modified	Model 202.028 C 36 AMG	 BT
-----	--------------------	--------------------	------------------------	--

ENGINE 104 in MODEL 202.028 with CODE (957a) AMG technical package

Fuel pump with HWA number with increased delivery installed



P47.20-0281-01