

F8

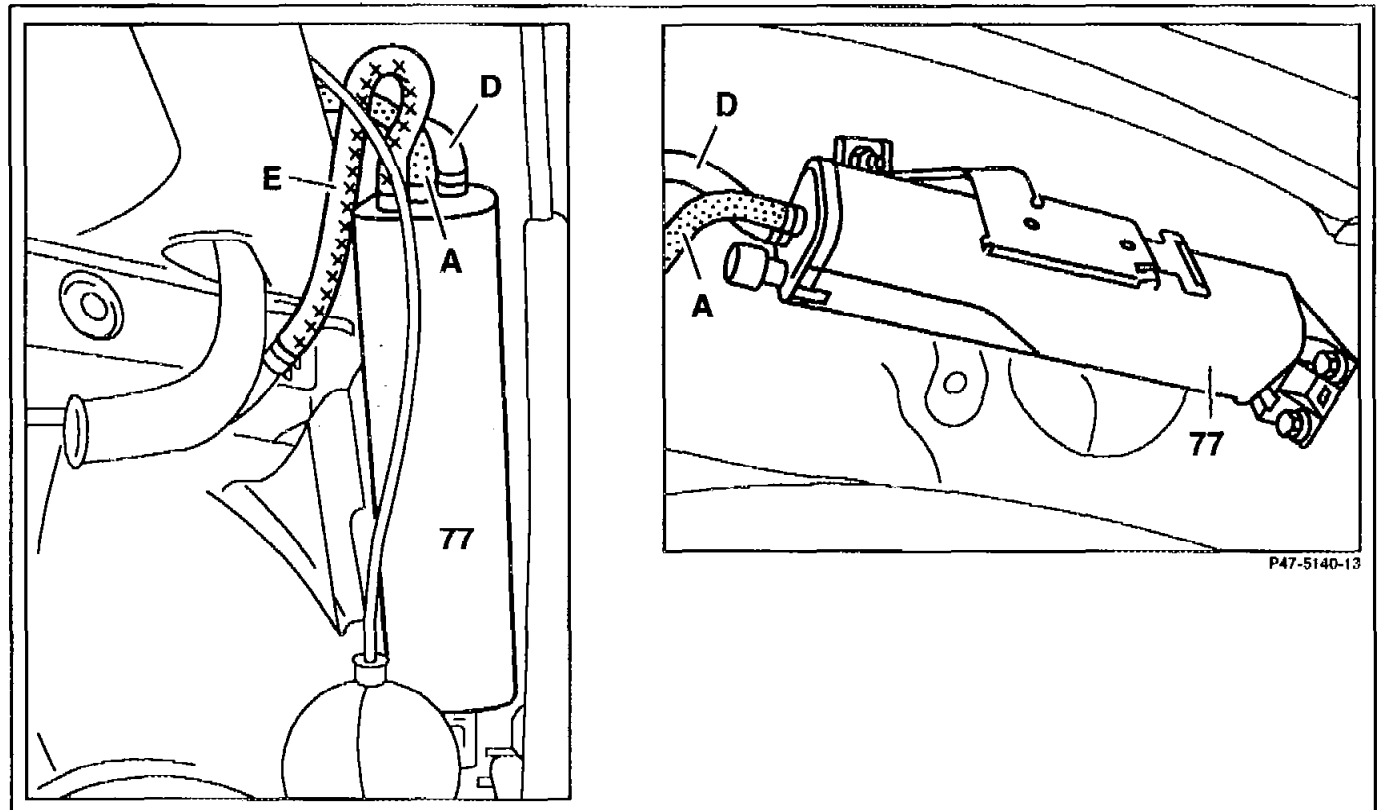
AR47.30-P-8212D

Removing and installing activated charcoal canister

14.2.94

**MODEL 124, 129, 140, 170, 202, 208, 210****MODEL 170 with CODE (491) up to Model Year 97 U.S. version****MODEL 129, 202, 208 with CODE (491) up to Model Year 98 U.S. version***Left-hand illustration**Shown on model 124**Right-hand illustration**Shown on model 202, 208*

- 77 Activated charcoal canister
- A Activated charcoal canister / purge control valve pipe
- D Vent valve / activated charcoal canister pipe
- E Vent pipe

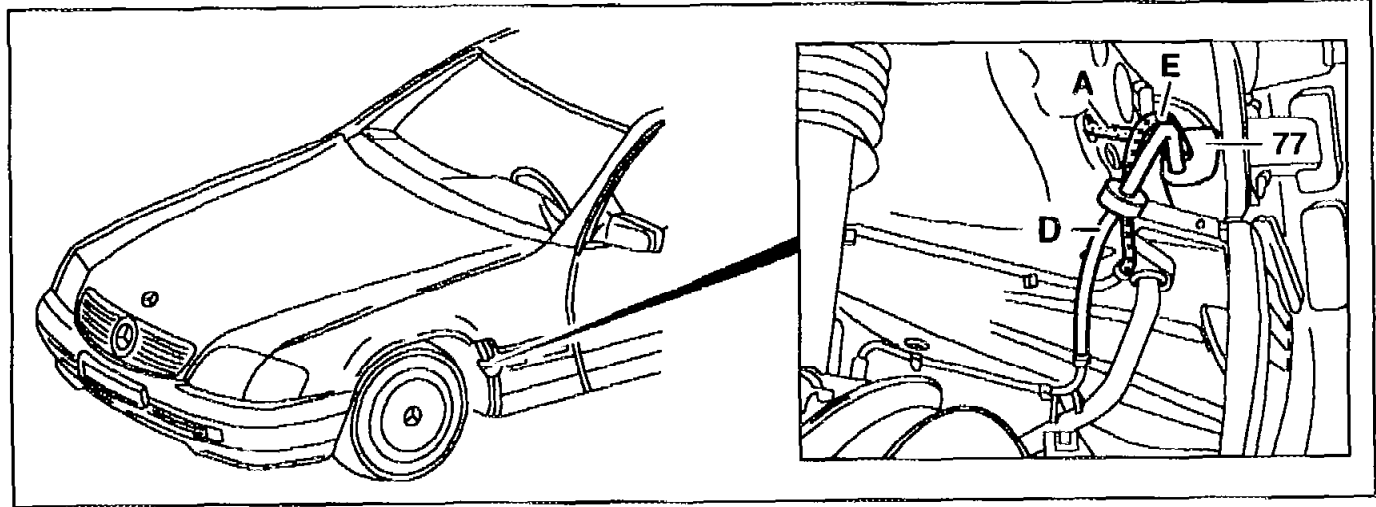


P47-5140-13

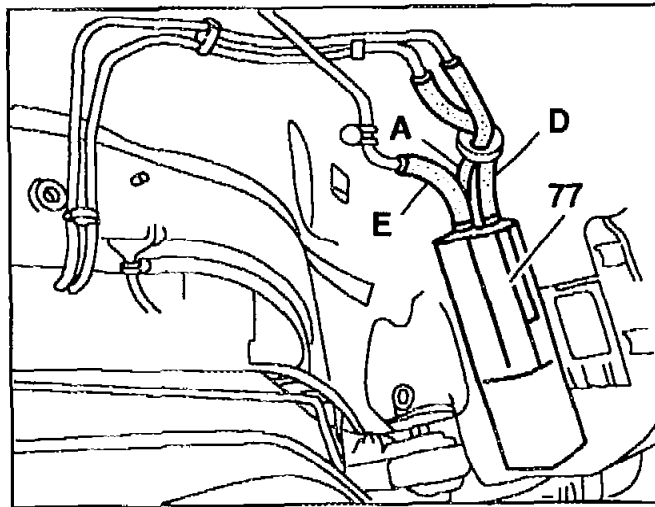
P47.30-0244-05

**Model 129**

- 77 Activated charcoal canister
- A Activated charcoal canister / purge control valve pipe
- D Vent valve / activated charcoal canister pipe
- E Vent pipe

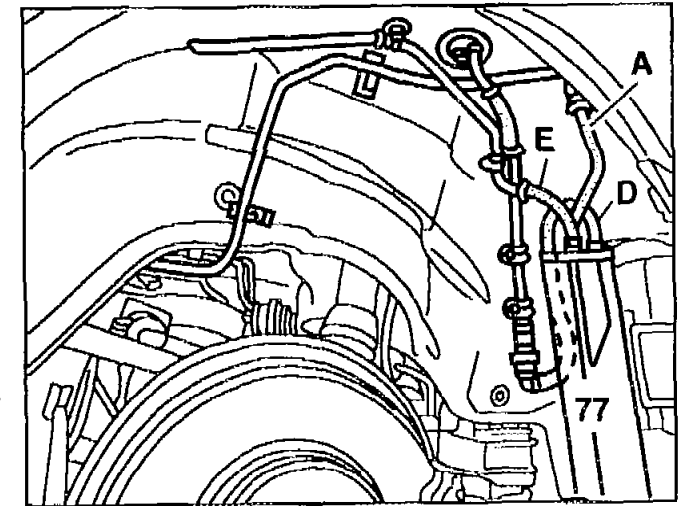


P47.30-0245-04



P47.30-0246-01

**Model 140 with 100-liter fuel tank**

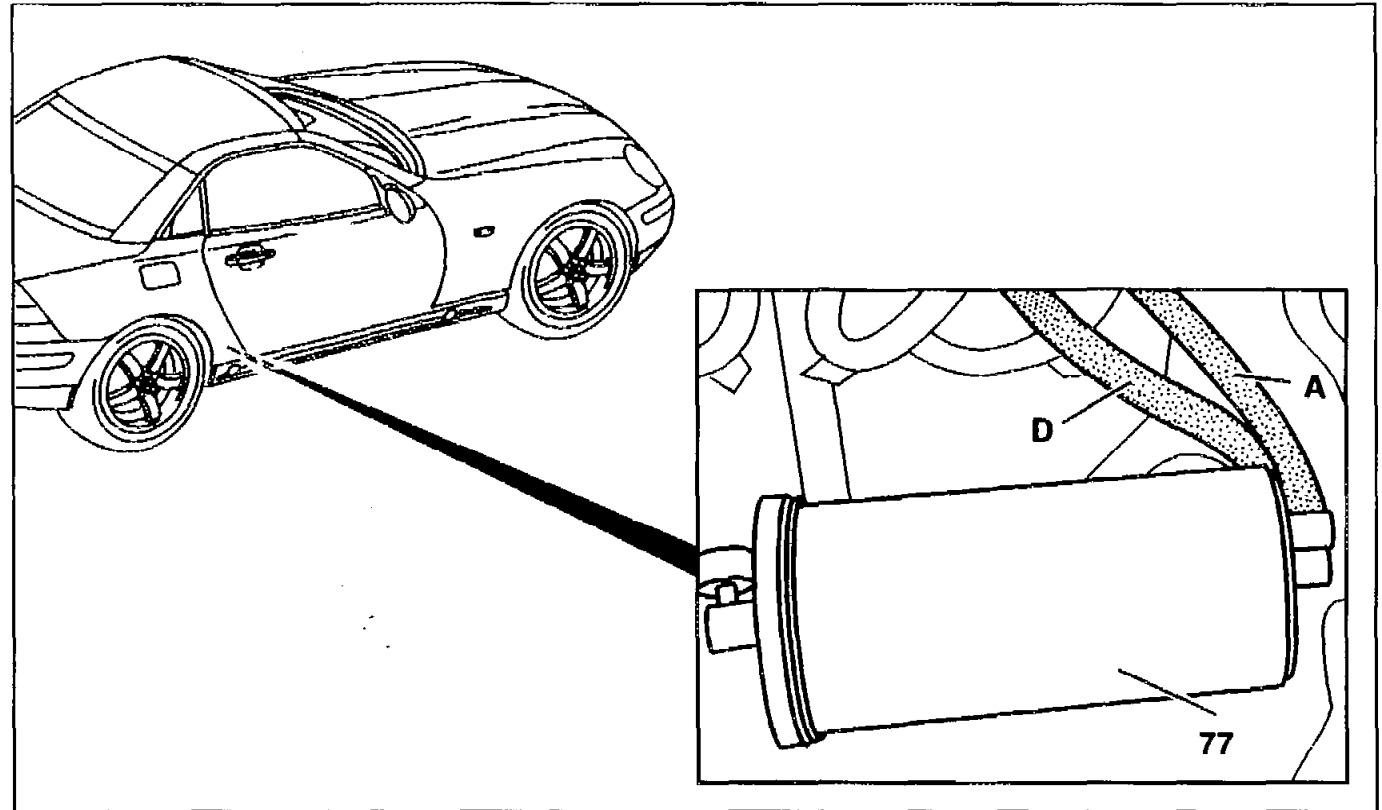


P47.30-0247-01

**Model 140 with 90-liter fuel tank**

**Model 170 (USA) up to MY 97**

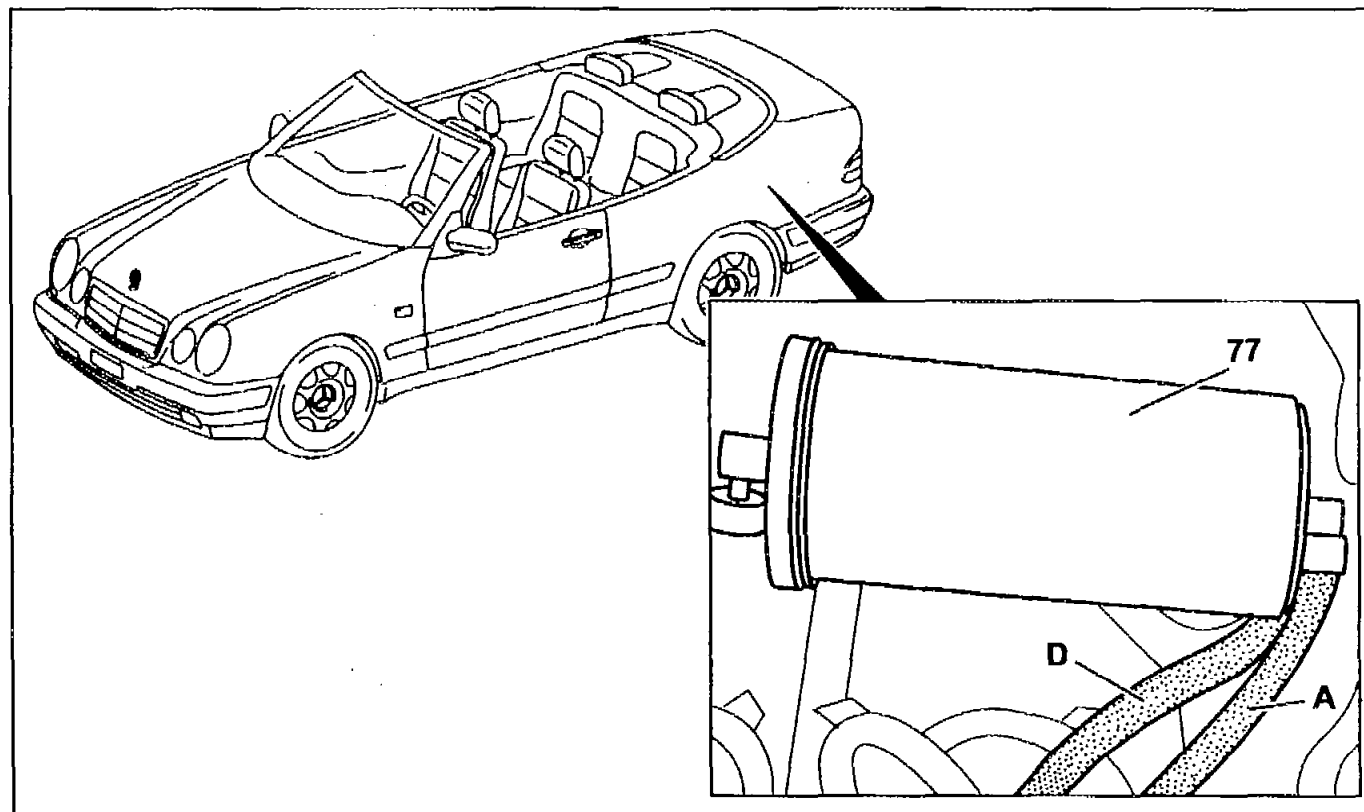
- 77 Activated charcoal canister
- A Activated charcoal canister / purge control valve pipe
- D Vent valve / activated charcoal canister pipe





**Model 208.4**

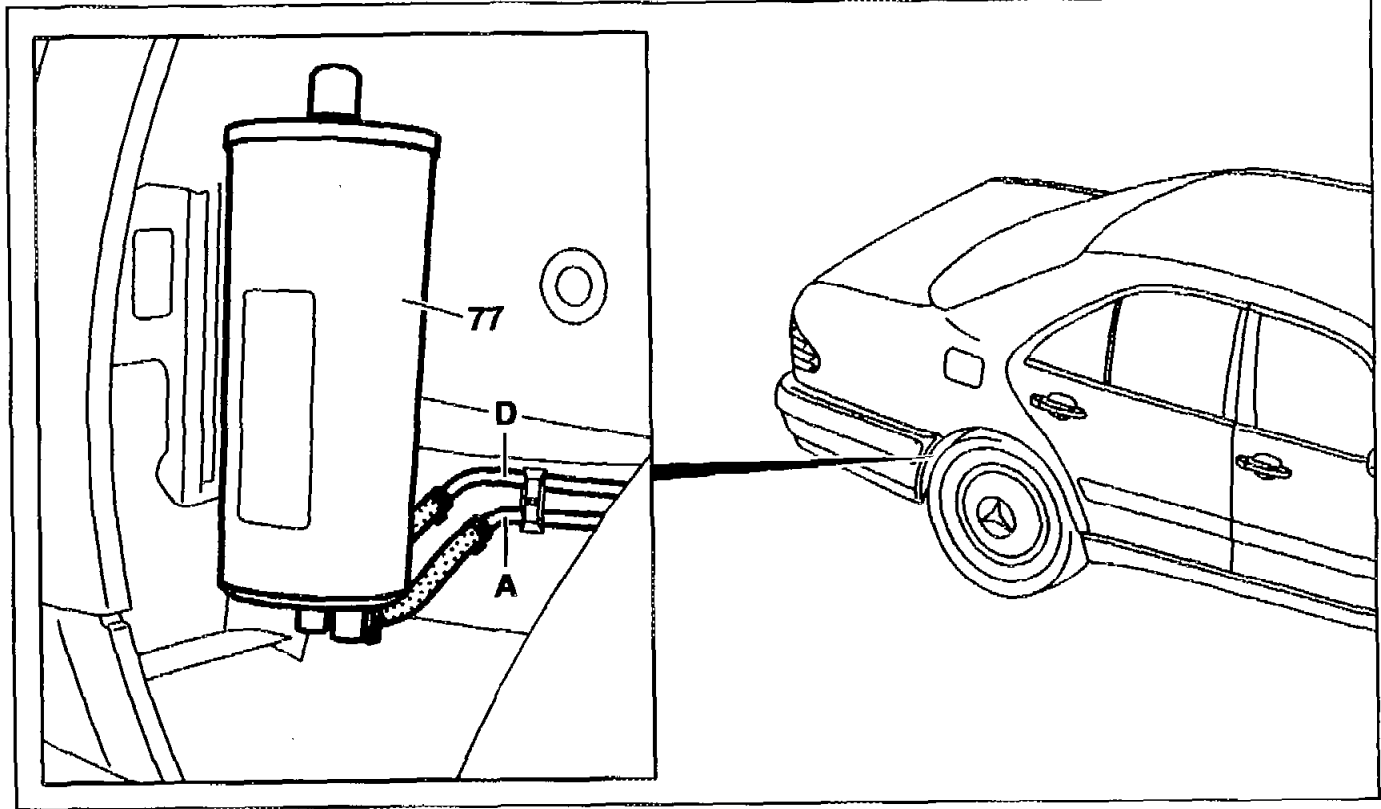
- 77** Activated charcoal canister
- A** Activated charcoal canister / purge control valve pipe
- D** Vent valve / activated charcoal canister pipe



P47.30-2005-05

**Model 210**

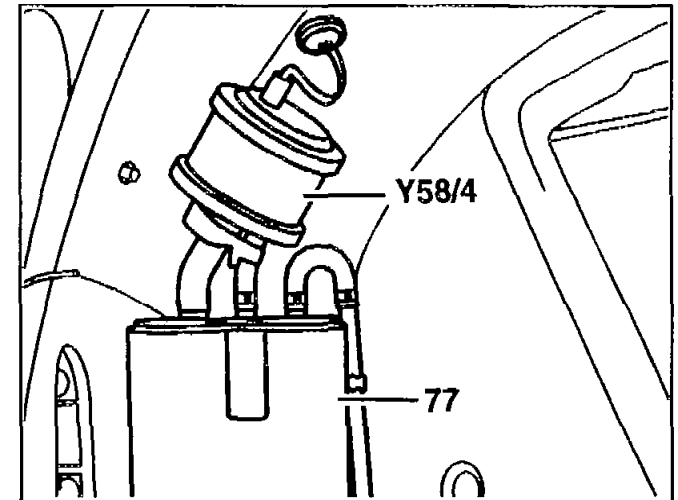
- 77 Activated charcoal canister
- A Activated charcoal canister / purge control valve pipe
- D Vent valve / activated charcoal canister pipe



**Model 210 (USA) up to MY 97**

77 Activated charcoal canister

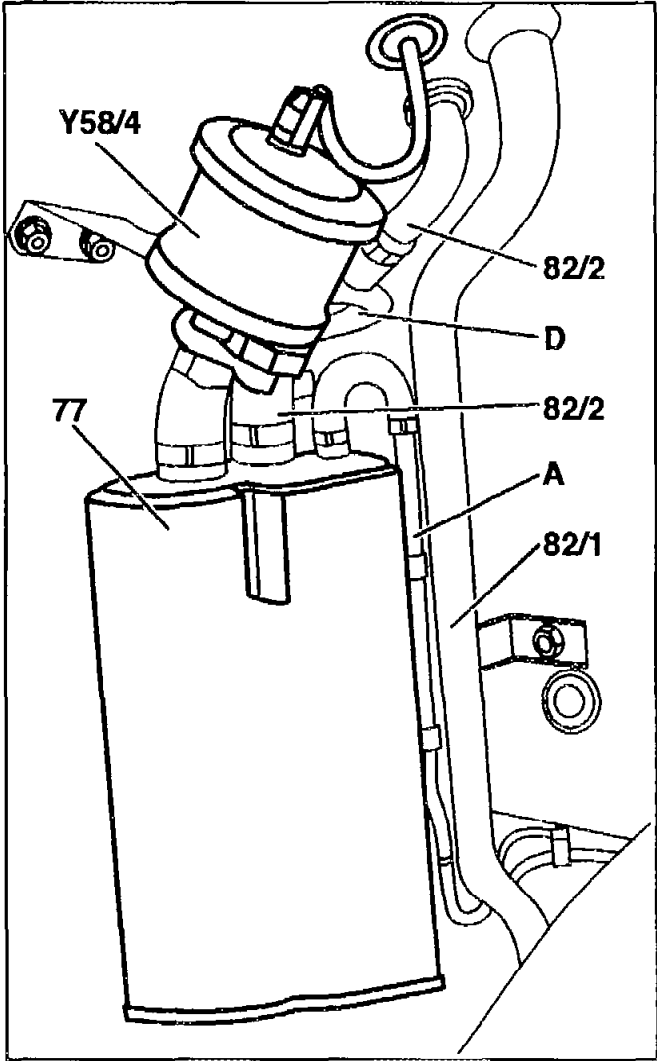
Y58/4 Activated charcoal canister shutoff valve



P47.30-0286-01

Model 210 (USA) as of MY 98

- 77 Activated charcoal canister
- 82/1 Fuel overflow line
- 82/2 ORVR vent line
- Y58/4 Activated charcoal canister shutoff valve
- A Activated charcoal canister / purge control valve line
- D Fuel tank / activated charcoal canister line



P47.30-0308-03

Operation no. of operation texts or standard texts and flat rates

Op. no.	Operation text
0047-8212	Replace activated charcoal canister for evaporation emission control system (after testing)



	<b>Removing, installing</b>		
<b>⚠ Danger!</b>	<b>Risk of explosion</b> due to ignition, <b>risk of poisoning</b> through inhaling and <b>swallowing fuel</b> and as well as <b>risk of injury</b> due to fuel coming into contact with the skin and eyes.	Fire, sparks, naked flame and smoking forbidden. Only pour fuels into suitable, appropriately marked containers. Wear protective clothing when handling fuel.	AS47.00-Z-0001-01A <b>D17</b>
1.1	Remove wheel arch inner panel	Models 124, 129 front left Models 140, 202, 208 rear left Model 210 rear right	
1.2	Detach cover of fuel pump/activated charcoal canister	Model 170	
2	Disconnect lines from activated charcoal canister (77)	Models 124, 129, 140 lines (A, D, E) Models 170, 202, 208, 210 lines (A, D) <b>Installation:</b> Connecting diagram ↓ Model 124 with engine 104, 111 Model 129 with engine 104 Model 140 with engine 104 without ski bag Model 140 with engine 104 with ski bag Model 202 with engine 104, 111 Model 170 with engine 111 Model 210 with engine 104, 111	AR47.30-P-8212-01DA <b>M15</b> AR47.30-P-8212-01DB <b>P15</b> AR47.30-P-8212-01DC <b>A16</b> AR47.30-P-8212-01DE <b>D16</b>



		Models 202, 208, 210 with engine 112 version (USA) up to 09/97	AR47.30-P-8212-01DF	<b>F16</b>
		Model 210 with engine 113 version (USA) up to 09/97	AR47.30-P-8212-01DG	<b>G16</b>
		Models 129, 202, 208, 210, 220 with engine 112 version (USA) as of 09/97	AR47.30-P-8212-01DH	<b>J15</b>
		Models 129, 202.093, 210, 220 with engine 113 as of 09/97	AR47.30-P-8212-01DI	<b>J16</b>
		Models 129, 202.033, 210, 220 with engine 113 Ausführung (USA) as of 09/97	AR47.30-P-8212-01DJ	<b>K15</b>
		Models 129, 202, 208, 210, 220 with engine 112 as of 09/97	AR47.30-P-8212-01DK	<b>K16</b>
		Models 170, 202, 208, 210 with engine 111.921/42/45/46/70/74 without code 923 schadstoffarm D3	AR47.30-P-8212-01DL	<b>L16</b>
		Models 170, 202, 208, 210 with engine 111.921/42/45/46 with Code 923 low-emission D3	AR47.30-P-8212-01DM	<b>M16</b>
		Models 129, 140, 210 with engine 119.97	AR47.30-P-8212-01EA	<b>N16</b>
		Model 129 with engine 119.98 except code 491 (USA) as of MY 98	AR47.30-P-8212-01EB	<b>A17</b>
		Models 140, 210 with engine 119.98		



		Model 129.067 with engine 119.982 with code 491 (USA) as of MY 98	AR47.30-P-8212-01EC	<b>L15</b>
		Model 170.447 with engine 111.973 with code 491 (USA) as of MY 98	AR47.30-P-8212-01ED	<b>B17</b>
3	Remove activated charcoal canister (77)	On models 124, 129, 140, 210, disengage upwards Model 170, disengage to one side Models 202, 208, unscrew		
4	Install in reverse order			