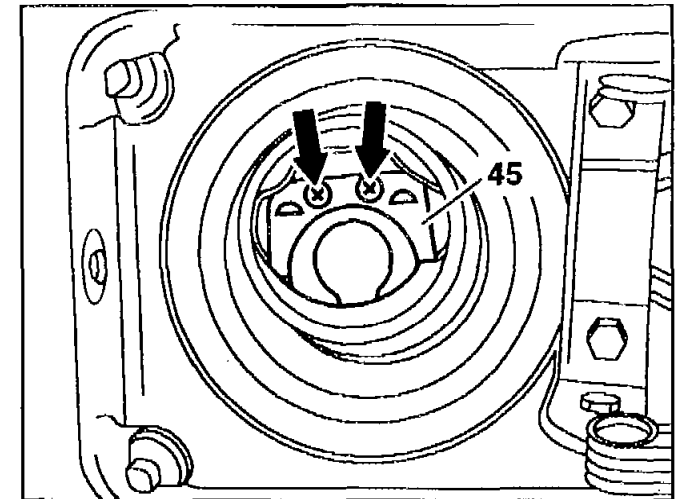




D6	AR47.10-P-7571D	Removing and installing guide funnel	9.2.94
----	-----------------	--------------------------------------	--------

**MODEL 124.0, 129, 140.0, 170, 202.0, 210.03 /04 /05 /06 /07 /08 /23 /24 /26 /27 /28 /663, 208**



45 Guide funnel  
Arrows Rivets

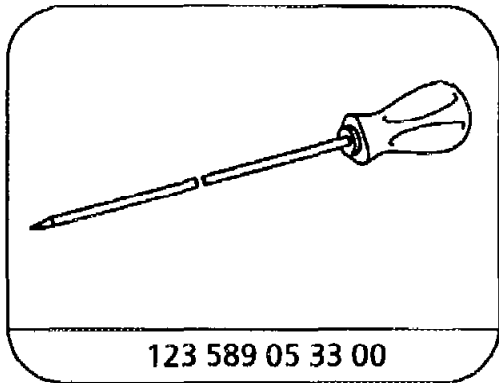


P47.10-0274-01

Fig. item, etc.	Work instructions		
<b>Danger!</b>	<b>Risk of explosion from ignition. Risk of poisoning from inhaling and swallowing fuel. Risk of injury as a result of fuel coming into contact with skin and eyes.</b>	No fire, naked flame or smoking. Pour fuels only into suitable and appropriately marked containers. Wear protective clothing when handling fuel.	AS47.00-Z-0001-01A <b>D17</b>
Arrows	Rivets	pull out of guide funnel	123 589 05 33 00



		 Ensure no rivets drop into the fuel tank. They prevent proper operation of the splash pot (reserve quantity cannot be used).	
45	Guide funnel	 <b>Installation:</b> knock in rivets with a drift	



Extractor