

A7

AR47.20-P-5713D

Removing and installing fuel pumps

3.8.94

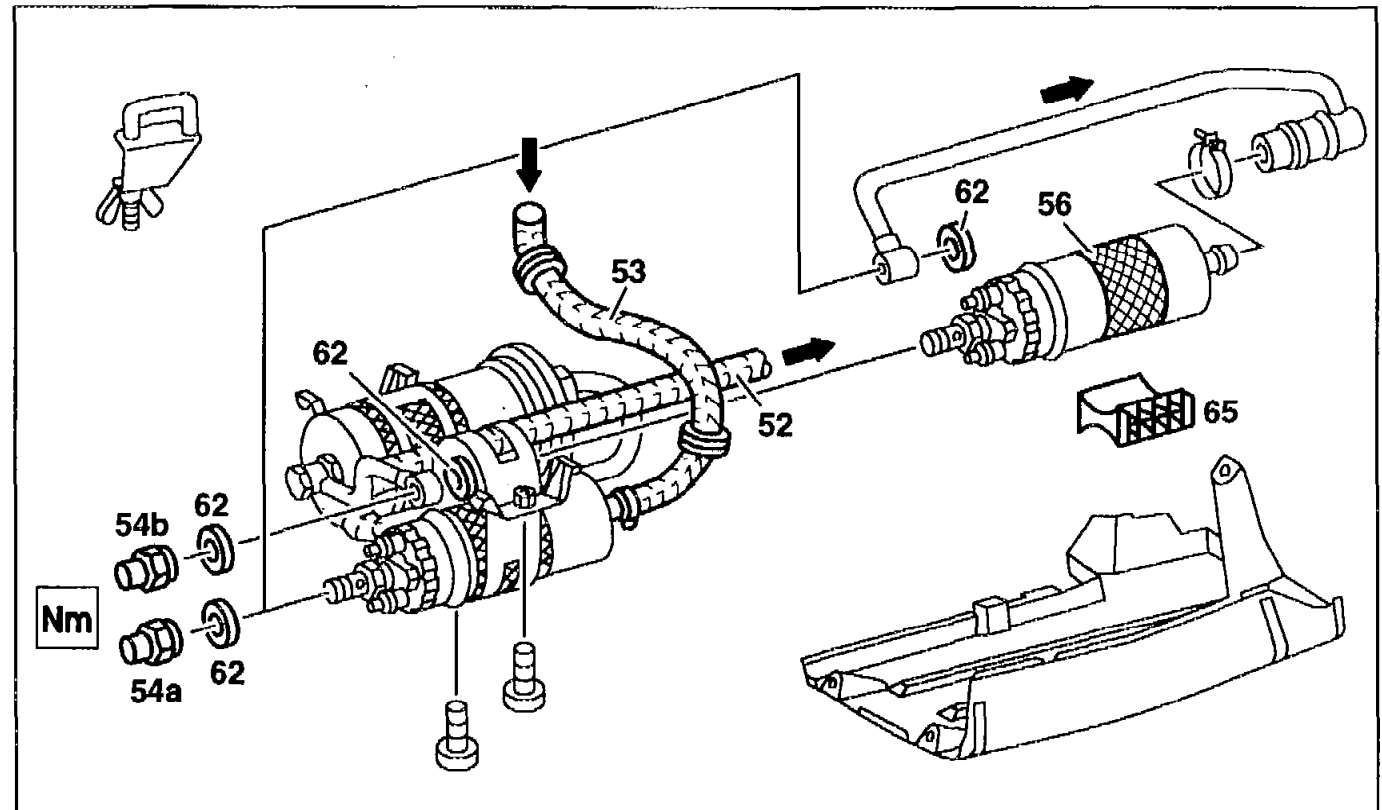
ENGINE 104.941 /942 /943 /944 /991 /992 /994, 111.920 /940 /941 /944 /960 /961 /974 /975

Shown on model 124 sedan/coupé

Engine 104

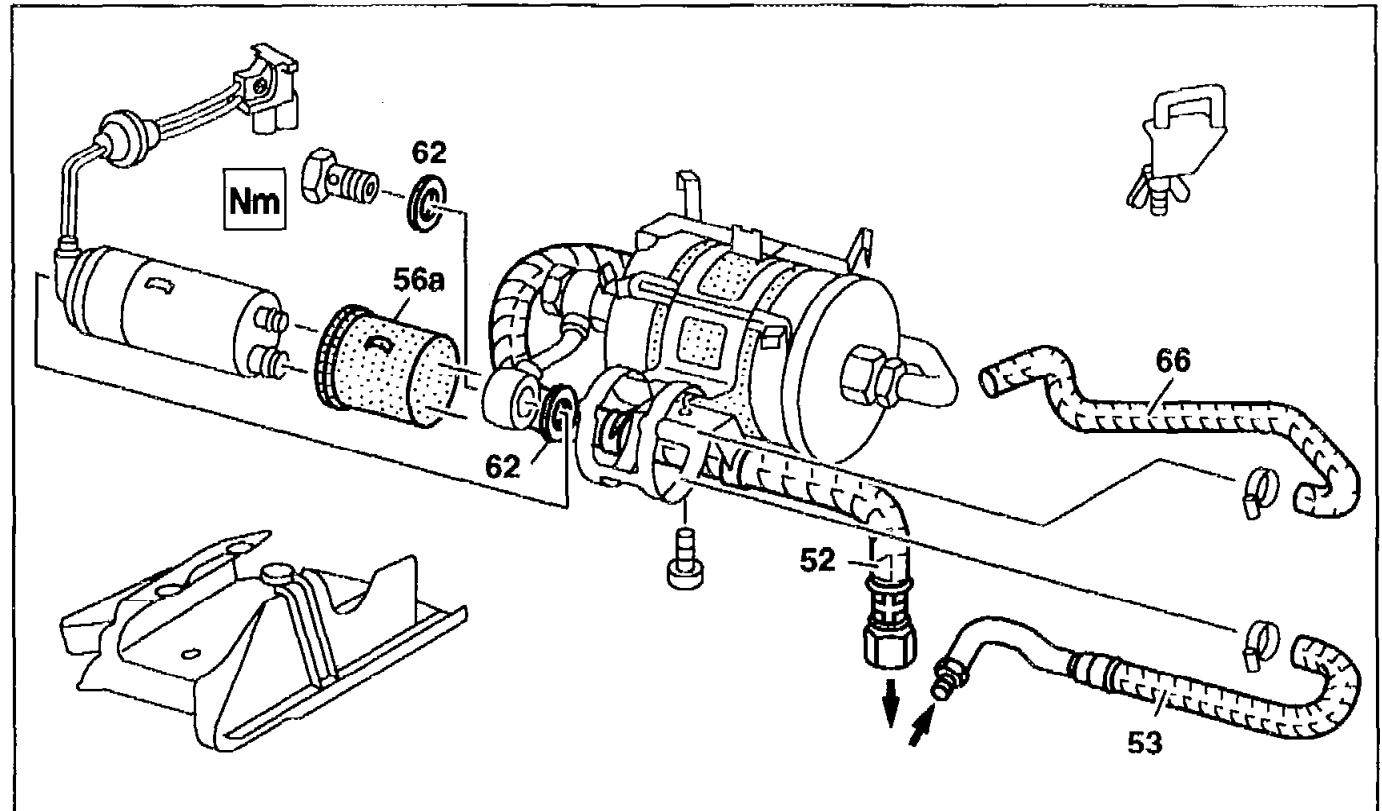
(fuel pump positioned ahead of rear axle)

- 52 Fuel delivery hose
- 53 Fuel suction hose
- 54a Cap nut
- 54b Cap nut
- 56 Plastic sleeve
- 62 Copper sealing ring
- 65 Spacer/adaptor



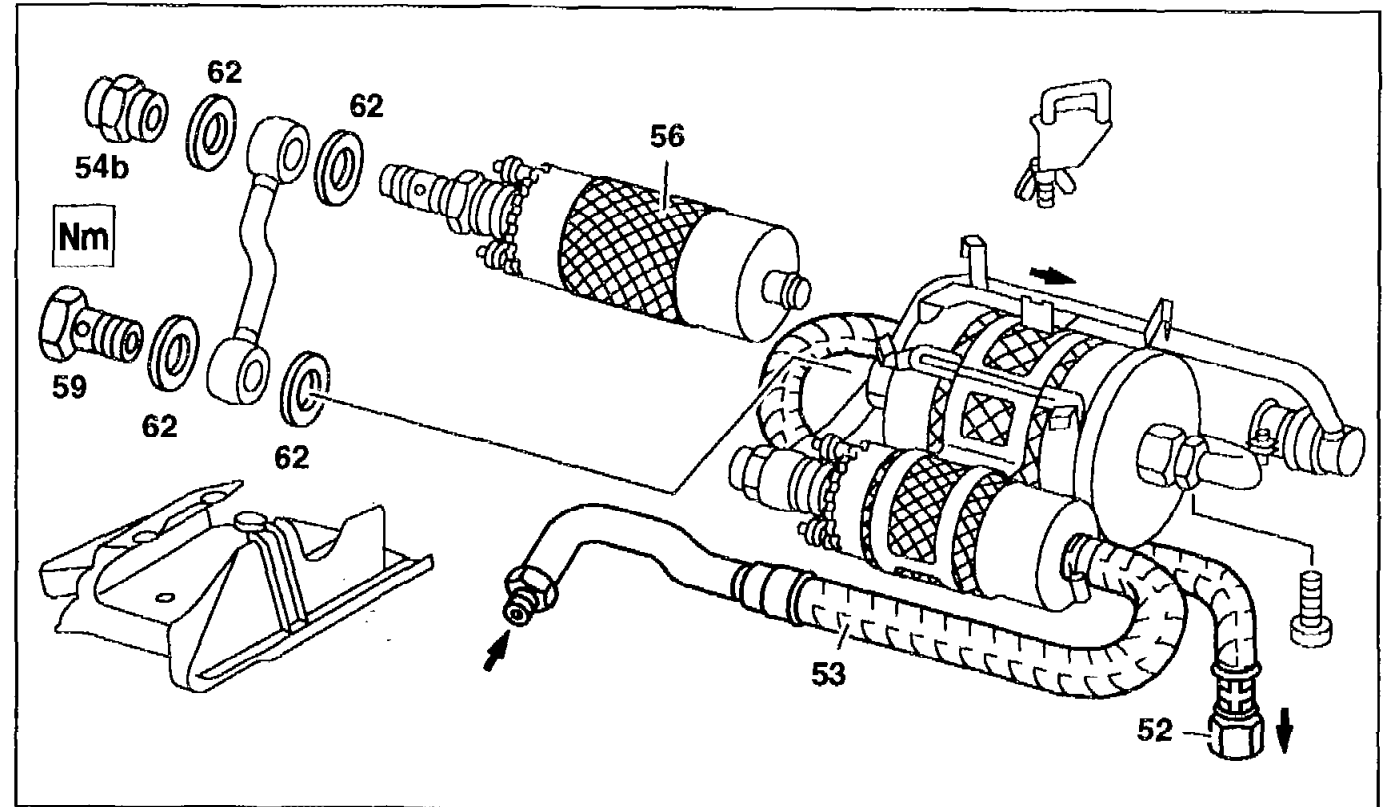
**Model 202, 208 except (USA)**

- 52 Fuel delivery hose
- 53 Fuel suction hose
- 56a Plastic sleeve
- 62 Copper sealing ring
- 66 Degassing hose



**Model 202, 208 (USA)**

- 52 Fuel delivery hose
- 53 Fuel suction hose
- 54b Cap nut
- 56 Plastic sleeve
- 59 Banjo bolt
- 62 Copper sealing ring





Left-hand illustration

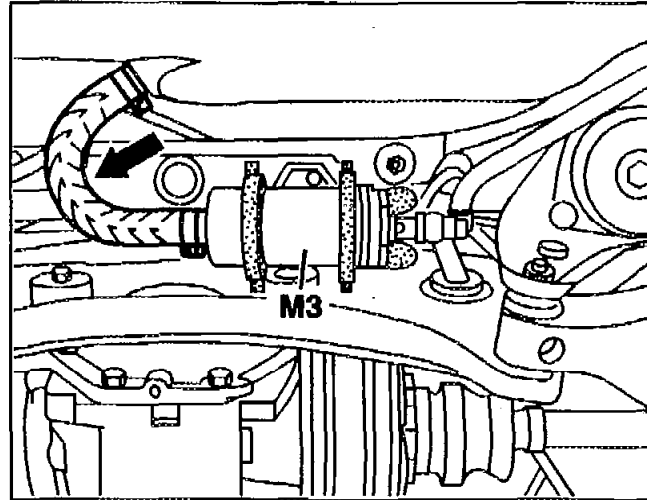
Model 124 T model

M3 Fuel pump

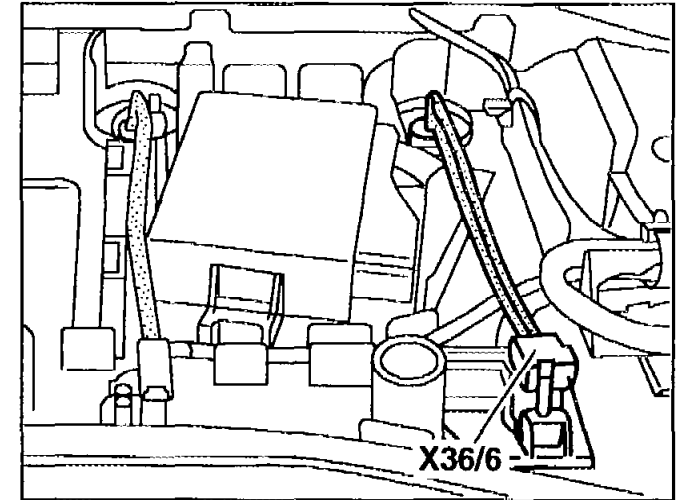
Right-hand illustration

X36/3 Connector, fuel pump harness

(2-pin) (in trunk)






P47.20-0247-01















P47.20-0231-01

Modification notes

1.4.97	Introduction of modified fuel pump	Model 202.028 C 36 AMG, see operation "Installing modified fuel pump"	
--------	------------------------------------	---	--

Fig. item, etc.	Work instructions		
<p> Danger!</p>	<p>Risk of explosion from ignition. Risk of poisoning from inhaling and swallowing fuel. Risk of injury as a result of fuel coming into contact with skin and eyes.</p>	<p>No fire, naked flame or smoking. Pour fuels only into suitable and appropriately marked containers. Wear protective clothing when handling fuel.</p>	<p>AS47.00-Z-0001-01A D17</p>
<p>Arrow</p>	<p>Model 124 T model</p>	<p> Do not pinch fuel suction hose at elbow  Model 124 T model always has two fuel pumps</p>	

	Plastic sleeve (56)	check, replace if necessary. The plastic sleeve must project at both sides of the bracket as contact corrosion may occur if there is direct contact between the fuel pump and bracket	
	Diagonal strut on right	remove, model 208.435/445/447 	BA61.10-P-1003-01C
 BT	Helical spindle pump replaces dual fuel pump assembly		BT47.20-P-0001-01A L17
 GF	Fuel pump summary		GF47.20-P-0001-01A B18
53, 52, 66	Fuel suction hose, fuel delivery hose and degassing hose	Pinch off 	000 589 40 37 00
54a, 54b, 59	Cap nut or banjo bolt	Replace copper sealing rings (62)  	BA47.20-P-1001-01A BA47.20-P-1002-01A
		 	BA47.20-P-1001-01B BA47.20-P-1004-01B
56a	Plastic sleeve	Insert fuel pump with guide into slot of plastic sleeve and insert the latter into bracket guide. Model 202, 208 only except 	

65	Spacer/adapter	Pay attention to installed position	
X36/3	Connector of fuel pump harness	separate in trunk, model 202, 208 only except (USA)	
 BT	Install modified fuel pump Fuel pump modified	Model 202.028 C 36 AMG	AR47.20-P-5713-01A G15 BT47.20-P-0002-01A P17

 Fuel pump

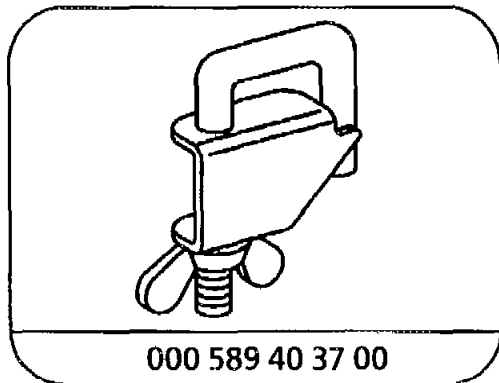
Number	Designation		Engines 104, 119, 120
BA47.20-P-1001-01A	Banjo bolt of fuel pipe to fuel pump or fuel filter	Nm	27
BA47.20-P-1002-01A	Cap nut of fuel pipe to fuel pump	Nm	27

 Fuel pump

Number	Designation		Engine 111
BA47.20-P-1001-01B	Banjo bolt of fuel pipe to fuel pump or fuel filter	Nm	27
BA47.20-P-1004-01B	Cap nut of fuel pipe to fuel pump	Nm	27

**Nm** Frame floor

Number	Designation	Model
BA61.10-P-1003-01C	Self-locking bolt of cross strut at rear to frame floor	208.435/445/ 447/465/470 Nm 60



Clamp