

N2

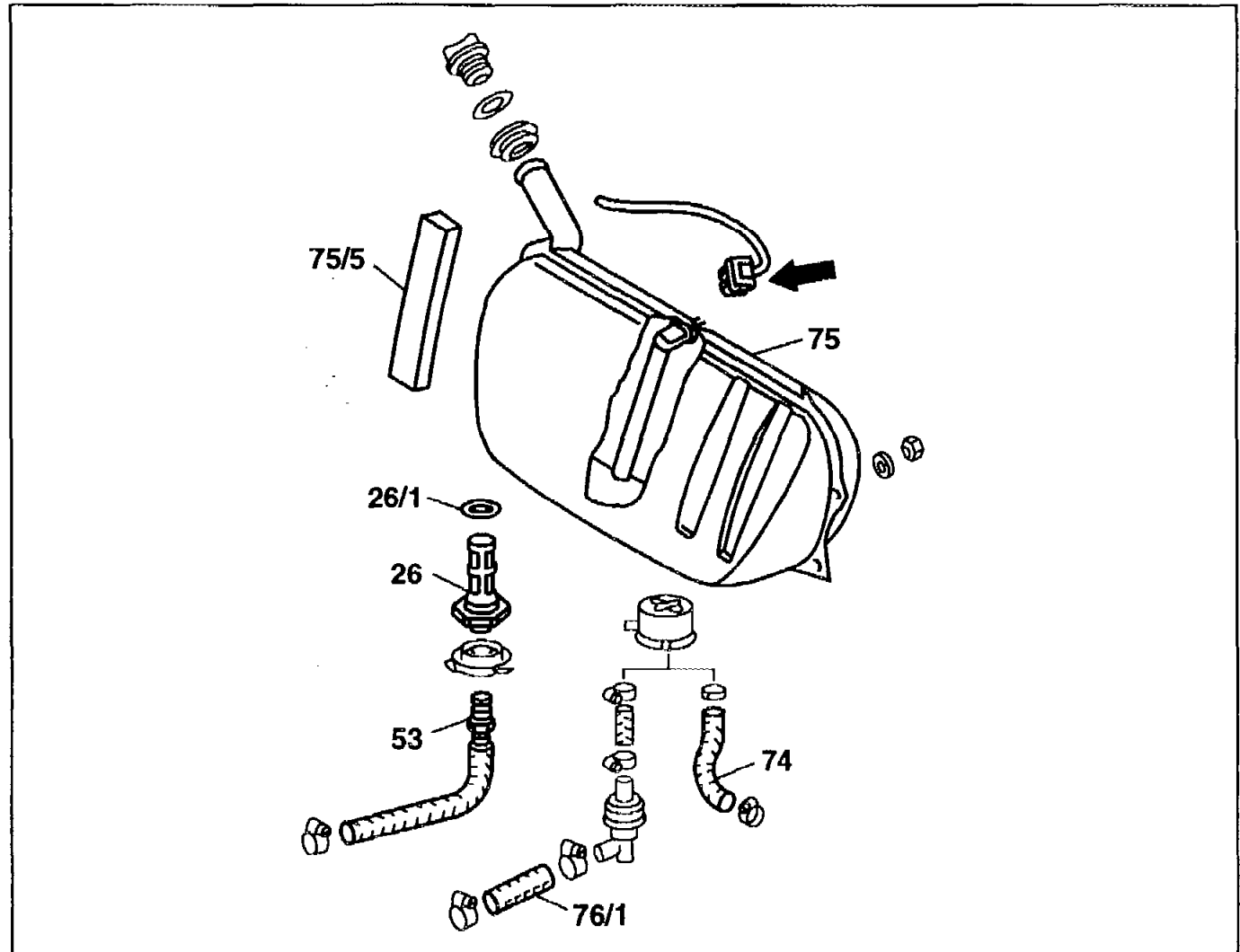
AR47.10-P-4100D

Removing and installing fuel tank

3.8.94








MODEL 124, 129, 140*Shown on model 124 sedan/coupé*

- 26 Fuel strainer
- 26/1 O-ring
- 53 Fuel hose with connector on suction side
- 74 Fuel return hose
- 75 Fuel tank
- 75/5 Sound insulation strips
- 76/1 Vent pipe



Operation no. of operation texts or standard texts and flat rates

Op. no.	Operation text
0047-4100	Removing and installing fuel tank
0047-4250	Removing and installing fuel tank, models with ski bag

 	Removal, installation		
 Danger!	Risk of explosion from ignition. Risk of poisoning from inhaling and swallowing fuel. Risk of injury as a result of fuel coming into contact with skin and eyes	No fire, naked flame or smoking Pour fuels only into suitable and appropriately marked containers Wear protective clothing when handling fuel	AS47.00-Z-0001-01A D17
1	Empty fuel tank, fill		AR47.10-P-4001B H1 BF47.10-P-1001-01A
2	Remove fuel tank trim as well as left and right trunk side trim		
3	Remove fuel hose on suction side (53), fuel return hose (74) and vent pipe (76/1)	 Collect remaining fuel, seal connections  	000 589 71 03 00 BA47.10-P-1004-01B
4	Remove fuel tank (75)	Model ↓ Models 124.008/02/03Z/052	AR47.10-P-4100-01DA G14

		Models 124.088/092 Model 124.066 Model 129 Model 140	AR47.10-P-4100-01DB AR47.10-P-4100-01DC AR47.10-P-4100-01DD AR47.10-P-4100-01DE	H14 L14 N14 P14
5	Check sound insulation strips (75/5)	Replace, if necessary. Stick on sound insulation strips (self- adhesive)		
6	Remove fuel strainer (26)	Clean and check suitability for re-use Nm i The splashpot in the fuel tank is secured by 2 pins to prevent it rotating. It is fixed with the fuel strainer (26)	BA47.10-P-1001-01B	
7	Replace O-ring (26/1)	Lubricate to improve installation		
8	Install in reverse sequence			
9	Dispose of fuel tank		OS47.10-P-0001-01A	F18

 Fuel tank

Number	Designation		Models 124.008/019/ 022/028/029/031/032/ 040/ 042/051/052/091	Models 124.079/082/ 088/092	Model 124.034/ 03/036/06
BA47.10-P-1001-01B	Fuel strainer in fuel tank	Nm	40	40	40
BA47.10-P-1002-01B	Self-locking nut to fuel tank U-rail	Nm	-	30	-
BA47.10-P-1004-01B	Fuel hose with connector to fuel strainer	Nm	30	30	30

 Fuel tank

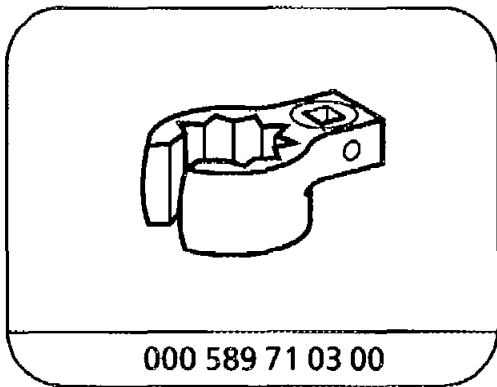
Number	Designation		Model 129	Model 140
BA47.10-P-1001-01B	Fuel strainer in fuel tank	Nm	40	40
BA47.10-P-1004-01B	Fuel hose with connector to fuel strainer	Nm	30	30

 Fuel tank

Number	Designation		Models 124.008/ 019/022/028/029 /032/040/042/ 052	Models 124.07/08/ 09	Models 124.034/ 036	Model 124 with larger tank con- tents, code 915
BF47.10-P-1001-01A	Tank filling quantities	Overall filling quantities liters	70	72	90	90
		Reserve filling quantities liters	9	9	11	11,5

 Fuel tank

Number	Designation	Model 124.06	Model 129	Model 140	Model 140 with ski bag, code 282 or refrigerator box, code 307	
BF47.10-P-1001-01A	Tank filling quantities	Overall filling quantities liters	70	80	100	90
		Reserve filling quantities liters	11	10	12,5	12,5



Box wrench socket