



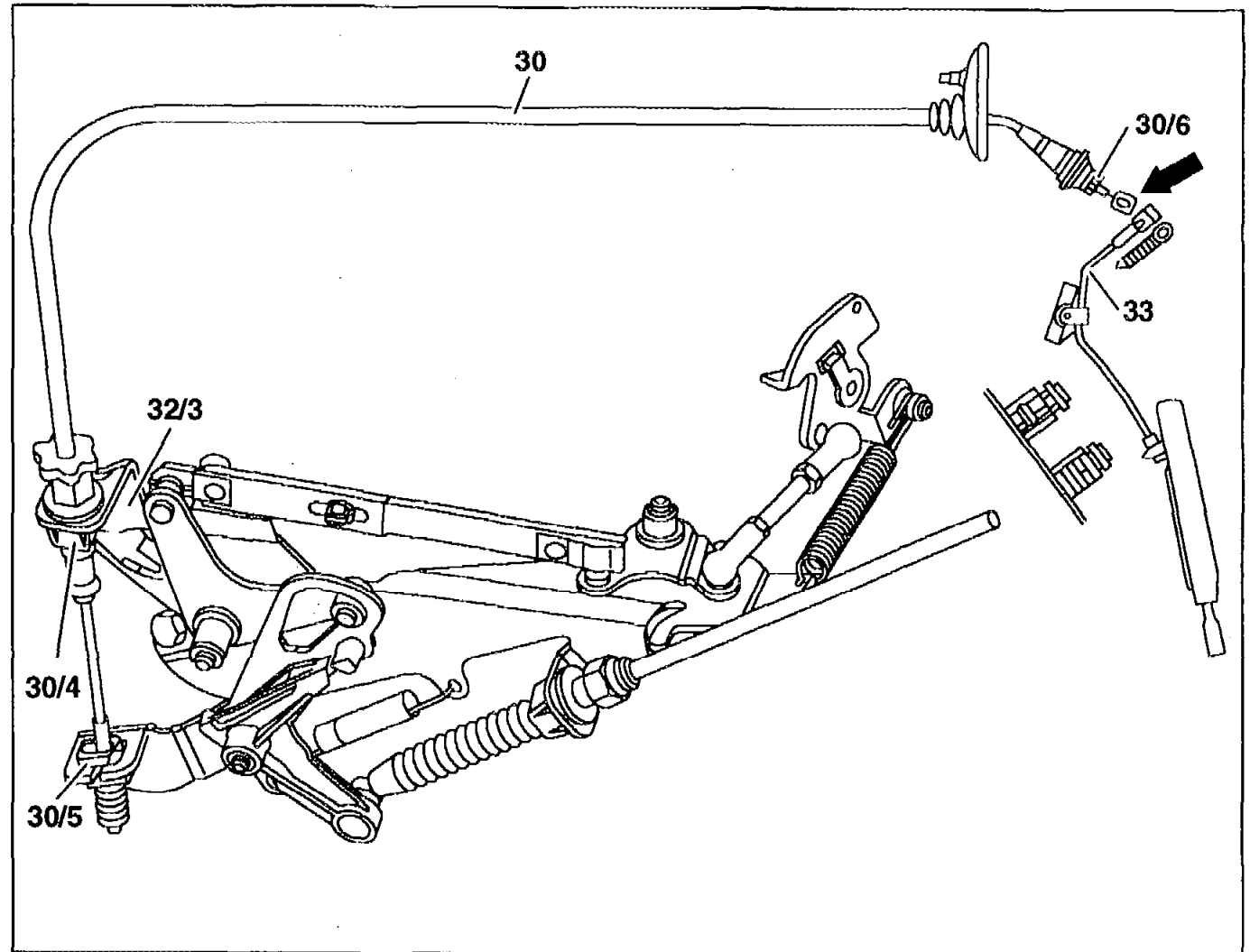
<b>L3</b>	AR30.10-P-3400D	<b>Removing and installing throttle control cable</b>	<b>25.5.94</b>
-----------	-----------------	---	----------------

**ENGINE 104.941 /942 /943 /944 /991 /992 /994, 111.920 /940 /941,  
111.944 up to 31.8.96,  
111.960 /961 /974,  
111.975 up to 31.8.96**



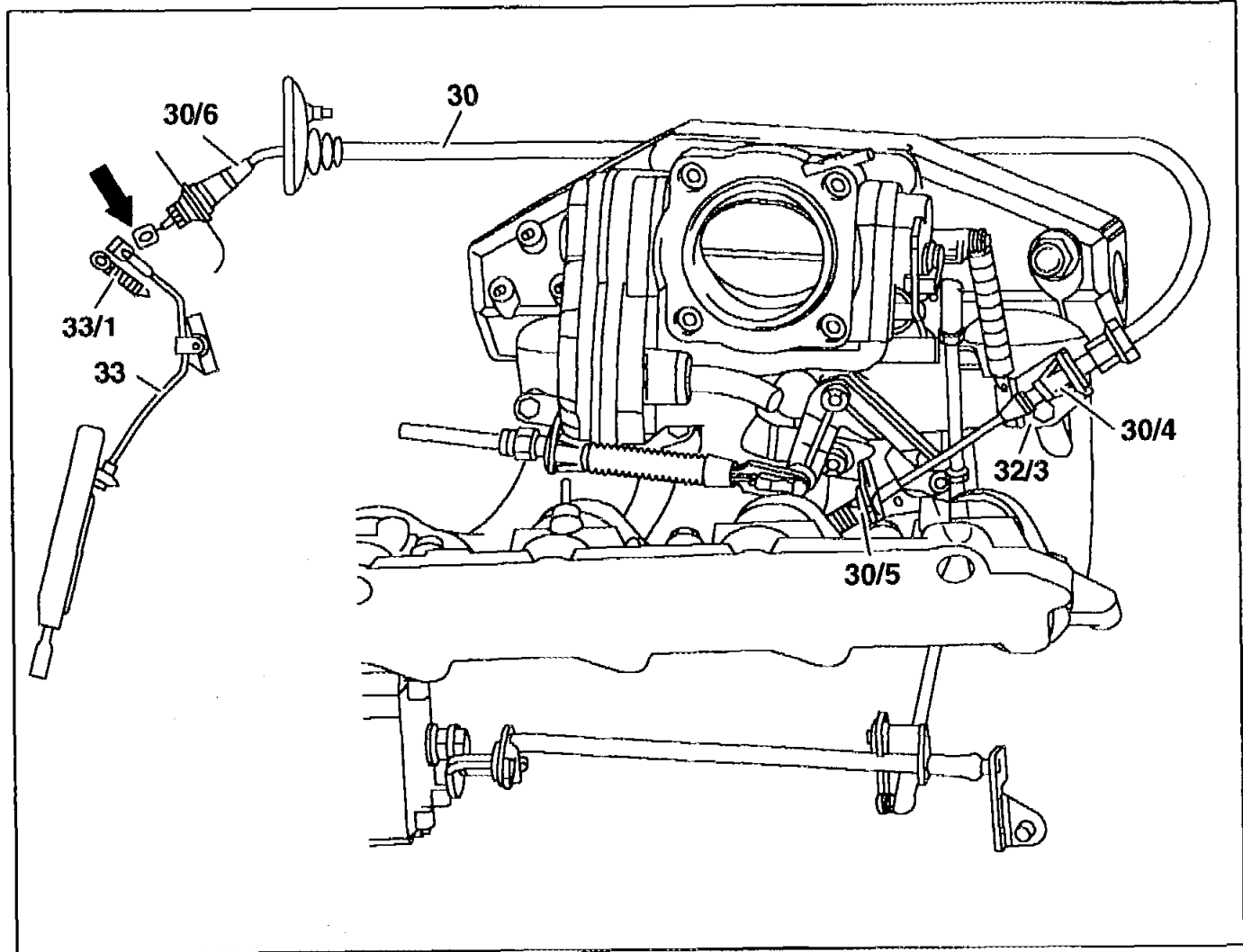
**Engine 104**

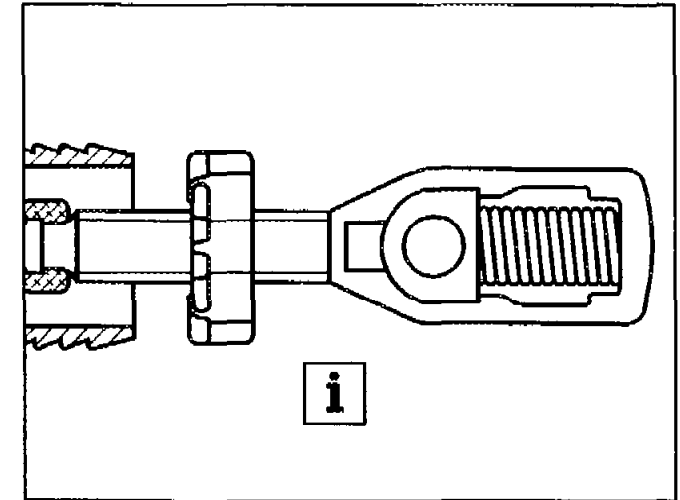
- 30 Accelerator control cable
- 30/4 Plastic clip
- 30/5 Guide piece
- 30/6 Rubber grommet
- 32/3 Accelerator control lever bracket
- 33 Accelerator pedal lever
- 33/1 Restoring spring
- Arrow Accelerator control cable mount




**Engine 111**

- 30 Accelerator control cable
- 30/4 Plastic clip
- 30/5 Guide piece
- 30/6 Rubber grommet
- 32/3 Accelerator control lever bracket
- 33 Accelerator pedal lever
- 33/1 Restoring spring
- Arrow Accelerator control cable mount





P30.10-0213-01

	<b>Removing, installing</b>		
1	Take out guide piece (30/5)	First of all, pull plastic nipple out of guide piece	
2	Compress plastic clip (30/4) and pull off bracket of accelerator control lever (32/3) together with accelerator control cable		
3	Detach accelerator control cable mount (arrow) at accelerator pedal lever (33)	Model 124 release restoring spring (33/1). Model 129, 140, 202 take out bracket together with expanding pin	

		<b>i</b> Accelerator cable with spring in accelerator control cable mount. At WOT stop, the accelerator pedal lever travel is increased by the spring being compressed. This enables the kickdown switch to operate.	
4	Press accelerator control cable (30) out, working from inside the car	Do not press out rubber grommet (30/6)	
5	Take out accelerator control cable (30) complete, working from engine compartment		
6	Install in the reverse order		
7	Grease accelerator control cable (30) between guide piece (30/5) and end piece with anti-corrosion grease		BR00.45-Z-1007-06A
8	Check accelerator control, adjust		AR30.10-P-1010D <b>J1</b>

### Repair products

Number	Designation	Order number
BR00.45-Z-1007-06A	Anti-corrosion grease	001 989 37 51 10