

A2

AR30.10-P-1010DA

Adjusting accelerator control

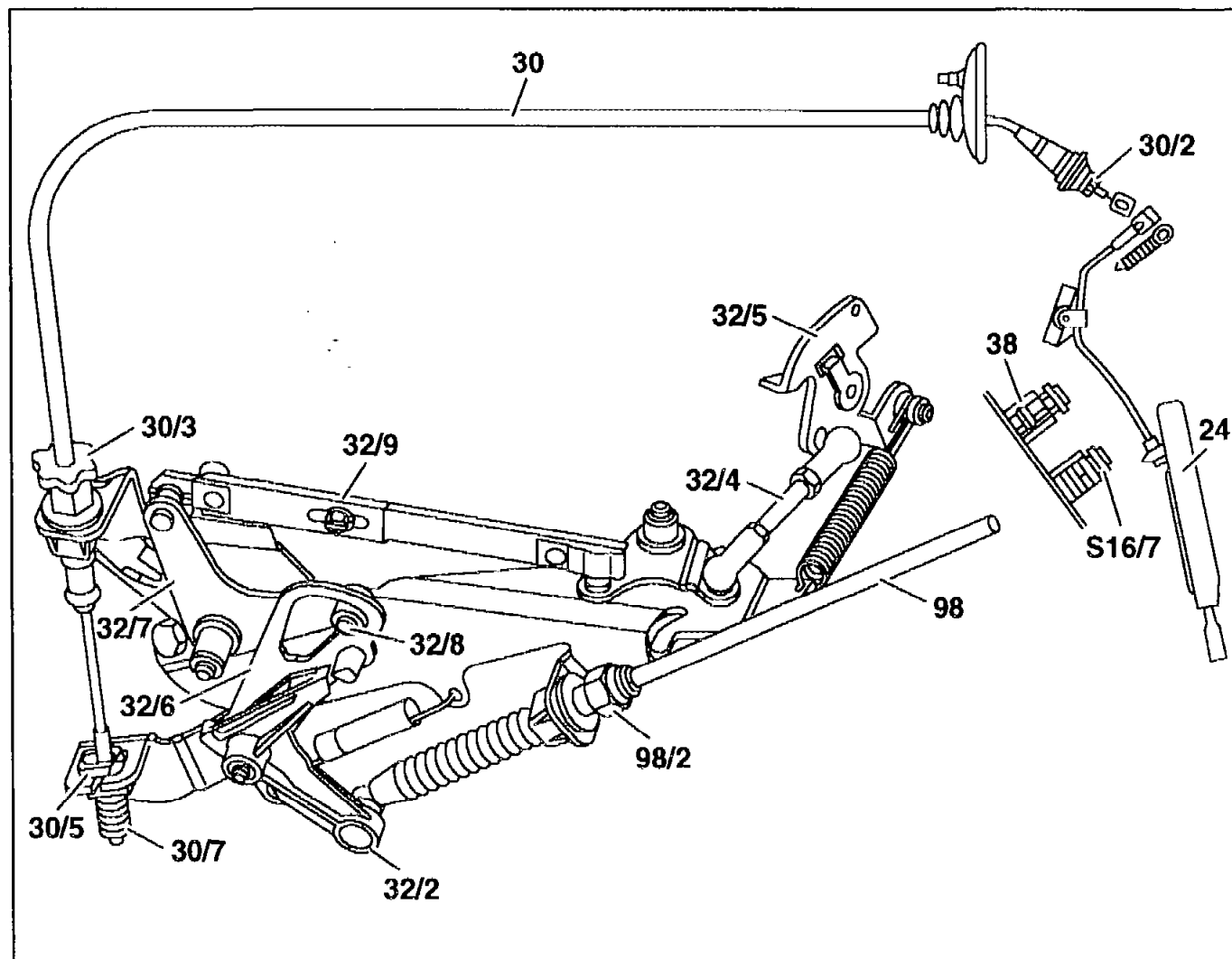
9.2.95

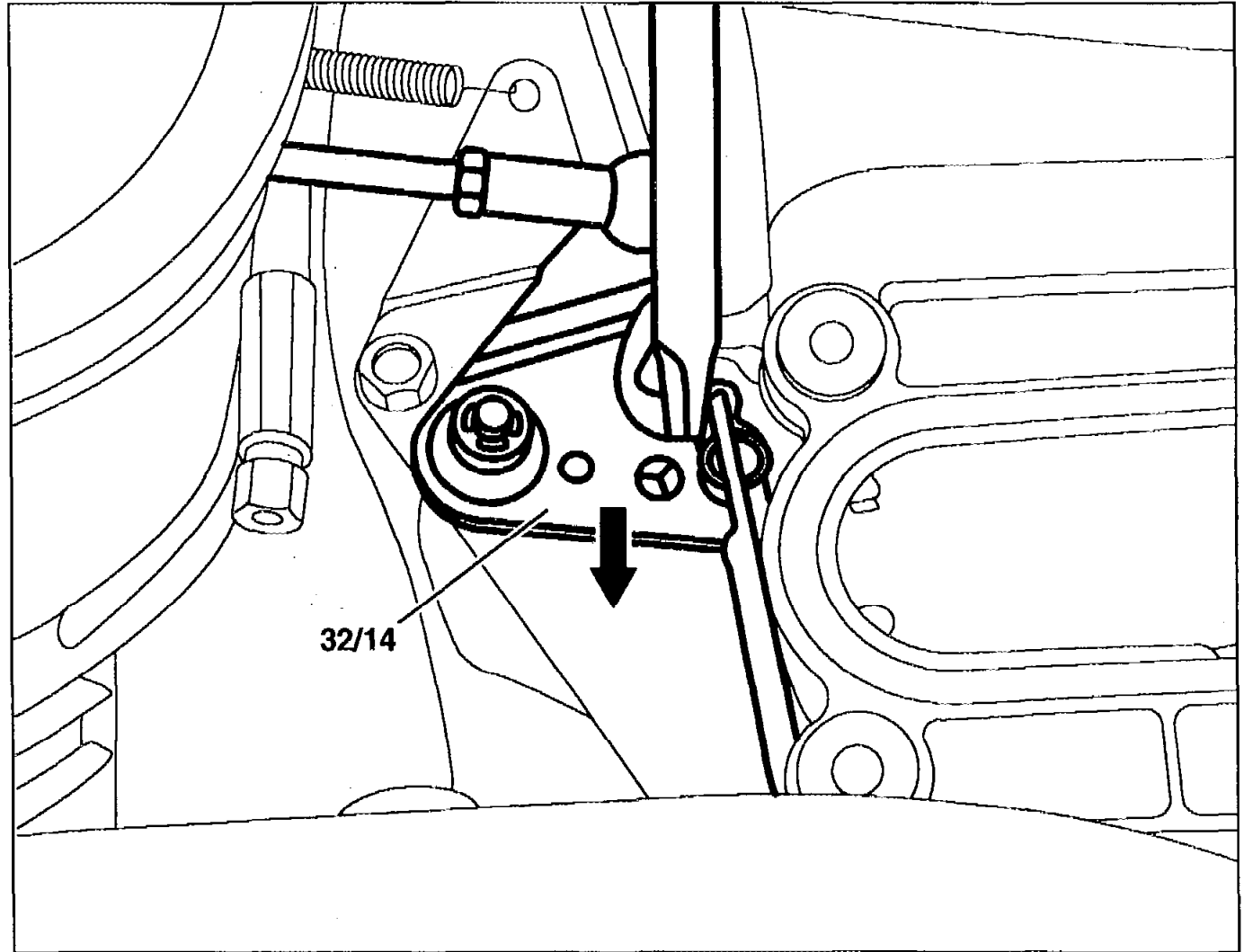
ENGINES 104.945/995
in MODEL 210

Engine 104

Shown with automatic transmission

- 24 Accelerator pedal
- 30 Accelerator control cable
- 30/2 Adjusting nut
- 30/3 Adjusting screw
- 30/5 Guide piece
- 30/7 Driver spring
- 32/2 Drag lever
- 32/4 Connecting rod
- 32/5 Bell crank
- 32/6 Fulcrum lever
- 32/7 Control lever
- 32/8 Roller
- 32/9 Connecting rod
- 38 Variable full throttle stop
- 98 Control pressure control cable
- 98/2 Adjusting screw
- S16/7 Kickdown switch, 2nd transmission mode








	Adjusting		
i	Ignition: OFF		
1	Inspect connecting rods (32/4, 32/9) and accelerator control cable (30) to ensure they operate freely and are in proper condition	Replace parts if necessary	
2	Check play between driver spring (30/7) and guide piece (30/5), adjust	There must be play between driver spring (30/7) and guide piece (30/5). Set with adjusting screw (30/3), if necessary	BE30.10-P-1001-01A
3	Remove, install resonance flap		AR09.20-P-1791D
4	Loosen clamping bolt on connecting rod (32/9)		
5	Press transfer lever (32/14) forwards using large screwdriver	i Against the spring force in the actuator	
6	Tighten clamping bolt on connecting rod (32/9)		
7	Detach connecting rod (32/4) at one end and check closed throttle position (idle) stop	The bell crank (32/5) must be resting against the closed throttle position (idle) stop of the idle speed control actuator.	
8	Attach connecting rod (32/4) free of tension	The connecting rod (32/4) must remain set to a fixed size. Measure between centers of ball sockets	BE30.10-P-1002-01A



		 The adjustment of the connecting rod (32/4) must be performed very accurately. The microswitch for the idle speed control must be operated when doing this (closed)	
9	Idle speed adjustment at engine end Check setting of control lever (32/7), adjust	Engine 104: The roller (32/8) in the control lever (32/7) must be resting free of tension against the end stop of the fulcrum lever (32/6). Adjust fulcrum lever (32/6) with connecting rod (32/9), if necessary, so that the roller (32/8) is resting free of tension against the end stop	
10	Adjust control pressure control cable (98)	With control pressure control cable attached, turn adjusting screw (98/2) until the tip of the drag lever (32/2) is at the same level as the tip of the fulcrum lever (32/6)	
11.1	Checking full throttle stop, adjusting	Manual transmission: With engine switched off, depress accelerator pedal (24) to full throttle stop. Bell crank (32/5) must be resting against full throttle stop of idle speed control actuator. Release variable full throttle stop (38), if necessary, by turning to the left. Pull out stop pin slightly, lock full throttle stop (38) in position by turning to the right.	

11.2		<p>Automatic transmission: With engine switched off, depress accelerator pedal (24) to full throttle stop at kickdown switch (S16/7) (do not operate kickdown switch).</p> <p>Bell crank (32/5) must just be resting against the full throttle stop of the idle speed control actuator; set with adjusting screw (30/3), if necessary</p>	
12	Checking idle speed adjustment at chassis end, adjusting	Accelerator pedal (24) in idle speed position. There must be play between driver spring (30/7) and guide piece (30/5); adjust from inside car with adjusting nut (30/2), if necessary	
13	Grease accelerator control cable (30) between end piece and guide piece (30/5) with anti-corrosion grease		BR00.45-Z-1007-06A

Test values of accelerator control

Number	Designation		Engine 104
BE30.10-P-1001-01A	Play of accelerator control cable between driver spring and guide piece at fulcrum lever	mm	0,5-1,0
BE30.10-P-1002-01A	Length of connecting rod to bell crank (fixed dimension)	mm	84

**Repair product**

Number	Designation	Order number
BR00.45-Z-1007-06A	Anti-corrosion grease	001 989 37 51 10