



B18	GF00.00-X-1000Z	Function descriptions, model/equipment combinations	30.6.99
------------	-----------------	--	----------------

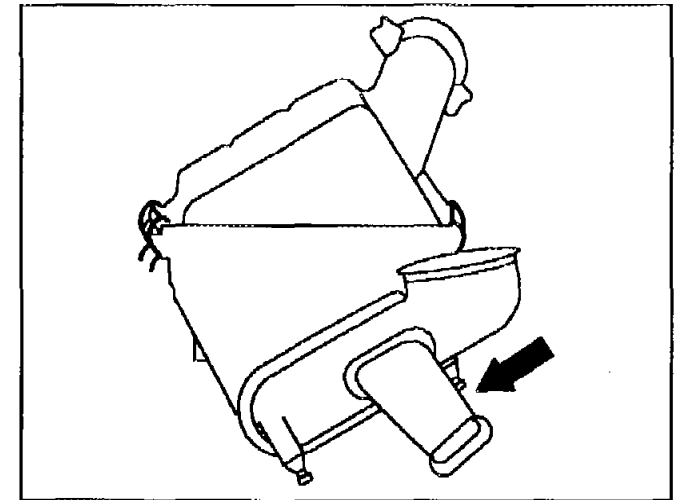
GF09.10-P-1050-02A	Air cleaner housing version	Model 202.028, 210.055 code 957a C 36, E 36 AMG	C18
GF09.10-P-8031-01A	Air cleaner crosspipe version	Model 202.028, 210.055 code 957a C 36, E 36 AMG	D18



C18 GF09.10-P-1050-02A	Air cleaner housing version	Model 202.028, 210.055 code 957a C 36, E 36 AMG	
-------------------------------	-----------------------------	--	--



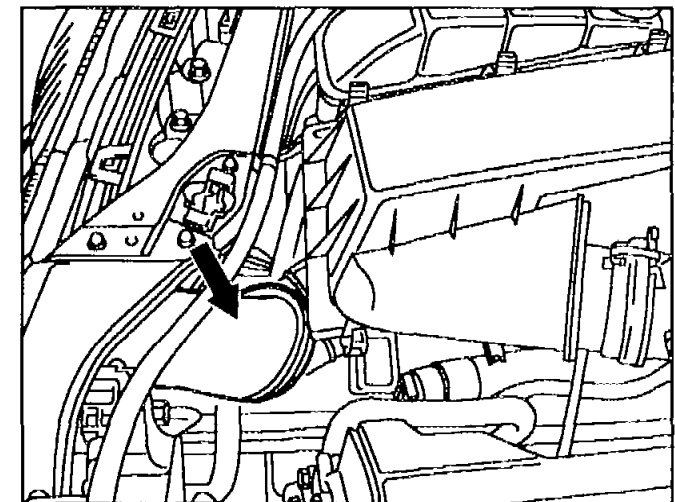
C 36 AMG: The air cleaner is fitted with a second intake connection (arrow) in order to improve the air supply.



P09.10-0293-01



E 36 AMG: The cold air scoop (arrow) of model 210.072 (E420) and a pressure loss-optimized air cleaner element are installed in order to improve the air supply.



P09.00-0241-01



Replace air cleaner element every 30,000 km.

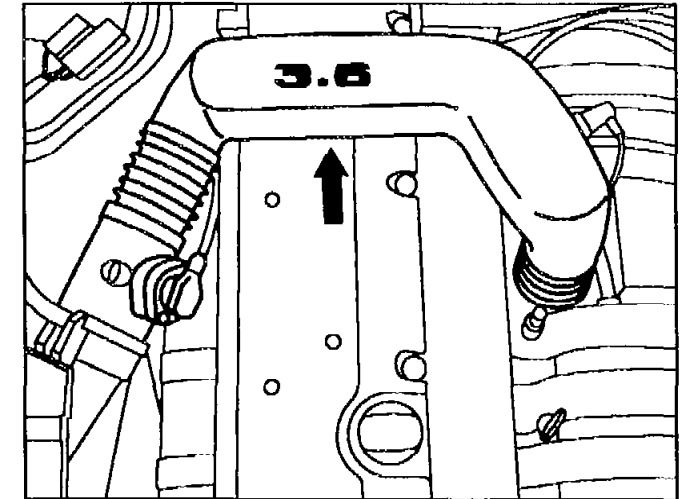


D18	GF09.10-P-8031-01A	Air cleaner crosspipe version	Model 202.028, 210.055 code 957a C 36, E 36 AMG
------------	--------------------	-------------------------------	--

Illustration shows C 36 AMG



C 36 E 36 AMG: For performance reasons the cross-section of the intake pipe (arrow) has been enlarged. An indication of the displacement (3.6) is provided on the intake pipe to provide a visual distinction.

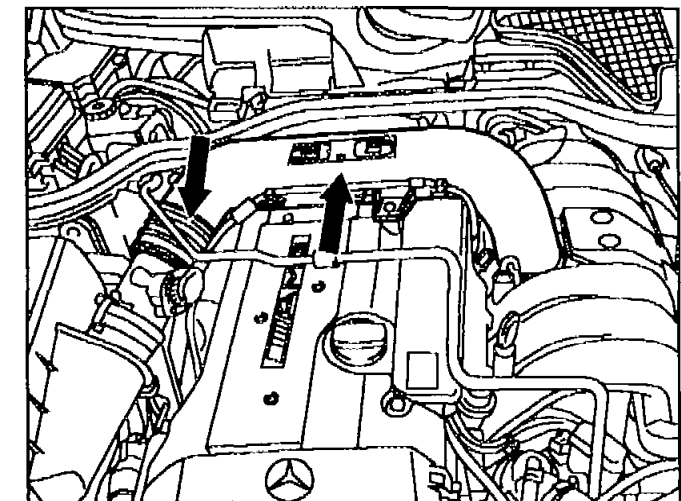


P09.20-0278-01

Illustration shows E 36 AMG



E 36 AMG: The rubber cup seal (arrow) has been replaced by an AMG design of cup seal because of the installation conditions.



P09.20-0268-01