



E8

AR15.12-P-2133G

Removing and installing crankshaft position sensor

3.8.94

ENGINE 104.941 /942 /943 /944 /991 /992 /994, 111.920 /940 /941 /942 /944 /960 /961 /975

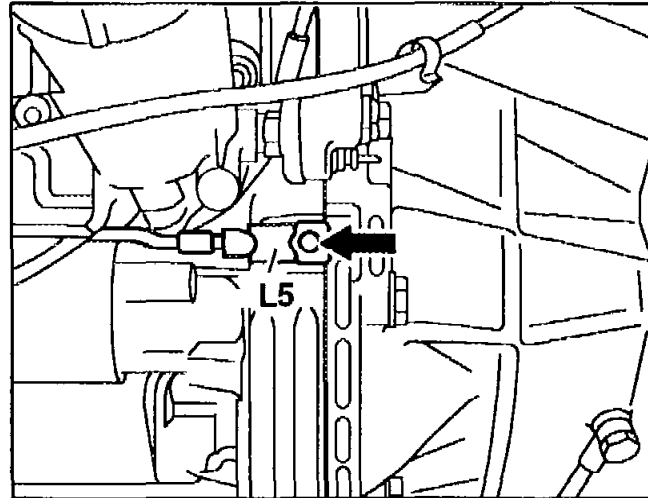
Engine 104

Left-hand illustration

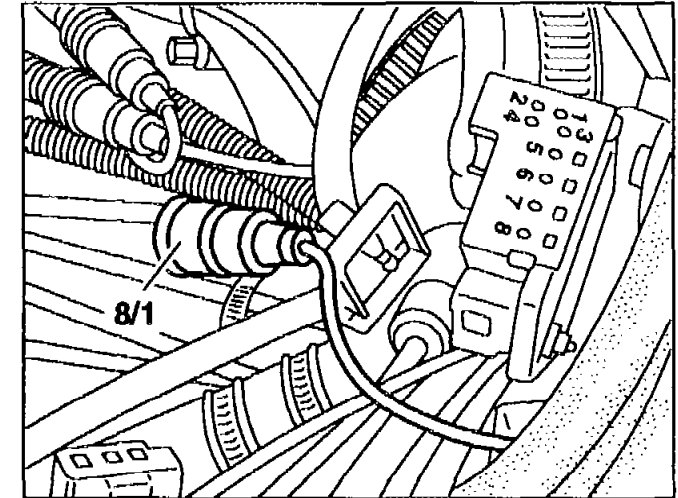
L5 Crankshaft position sensor

Right-hand illustration, model 124

8/1 Connector, crankshaft position sensor (HFM-SFI)



P15.12-0209-01

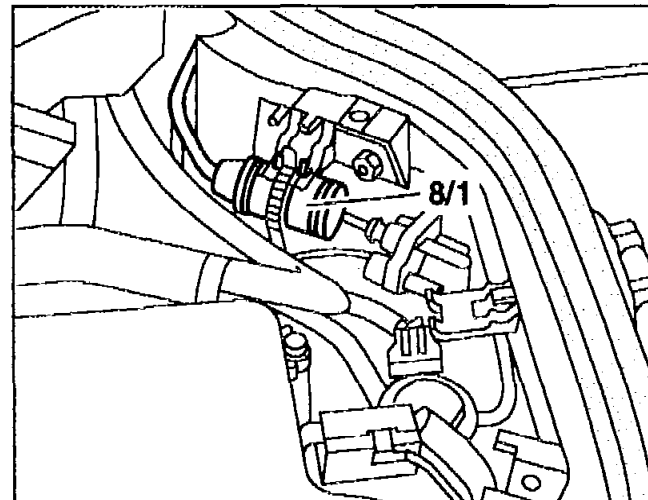


P15.12-0210-01

Engine 104

Left-hand illustration, model 129

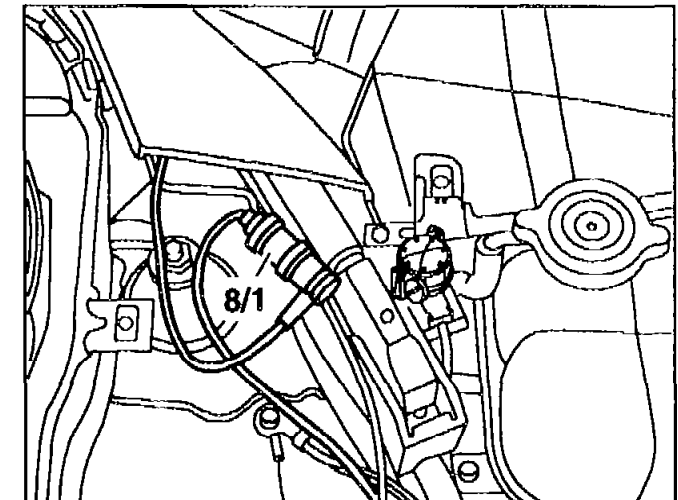
8/1 Connector, crankshaft position sensor (HFM-SFI)



P15.12-0211-01

Right-hand illustration, model 140

8/1 Connector, crankshaft position sensor (HFM-SFI)



P15.12-0212-01

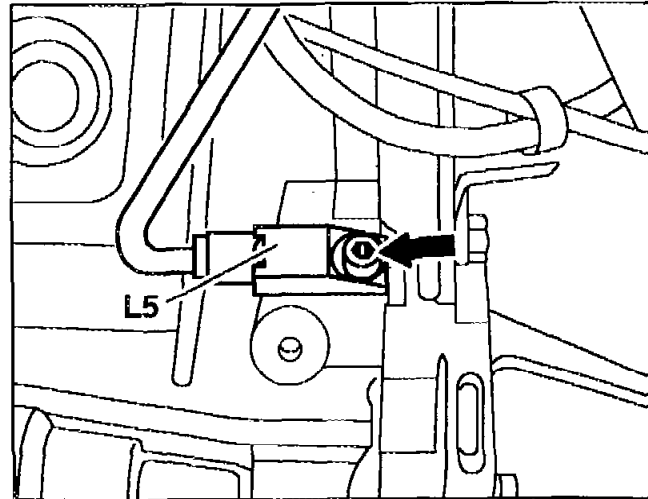
Engine 111

Left-hand illustration

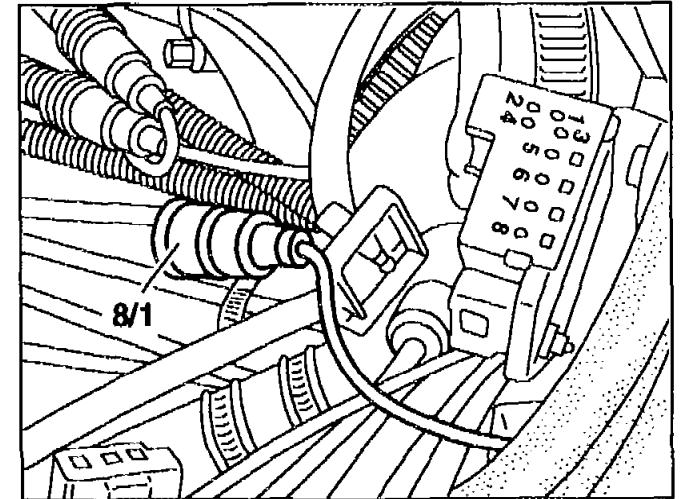
L5 Crankshaft position sensor

Right-hand illustration

8/1 Connector, crankshaft position sensor (HFM-SFI)



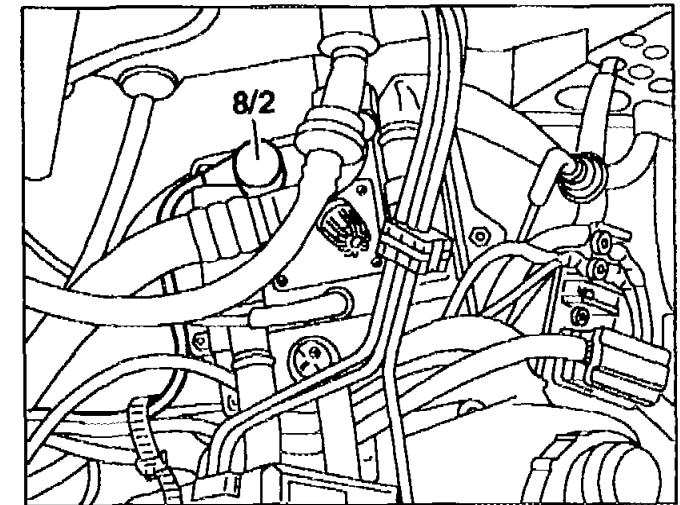
P15.12-0213-01




P15.12-0210-01

Engine 111

8/2 Coupling, crankshaft position sensor (PEC)



P15.12-0214-01

Fig. item, etc.	Work instructions		
	Remove starter, install	Engine 104	AR15.30-P-7100EA



i	Remove cruise control actuator, install	Engine 111 See RI Cruise control systems Op. no. 30-541	
i	Windshield washer reservoir	Engine 111 PMS Detach, put to one side	
8/1, 8/2	Connector or coupling	separate Models 124, 129, 202 on right in component compartment behind battery Model 140 on right in engine compartment	