

C8

AR15.12-P-2003GA

Removing and installing ignition coils AR15.12-2003GA 1

9.12.94

ENGINE 111.921 /942 /943 /945 /946 /947 /970 /973 /974 /975 /977

- 5/1 Ignition cable pocket cover
T1/1 Double spark ignition coil 1
cylinders 1 and 4
T1/2 Double spark ignition coil 2
cylinders 2 and 3

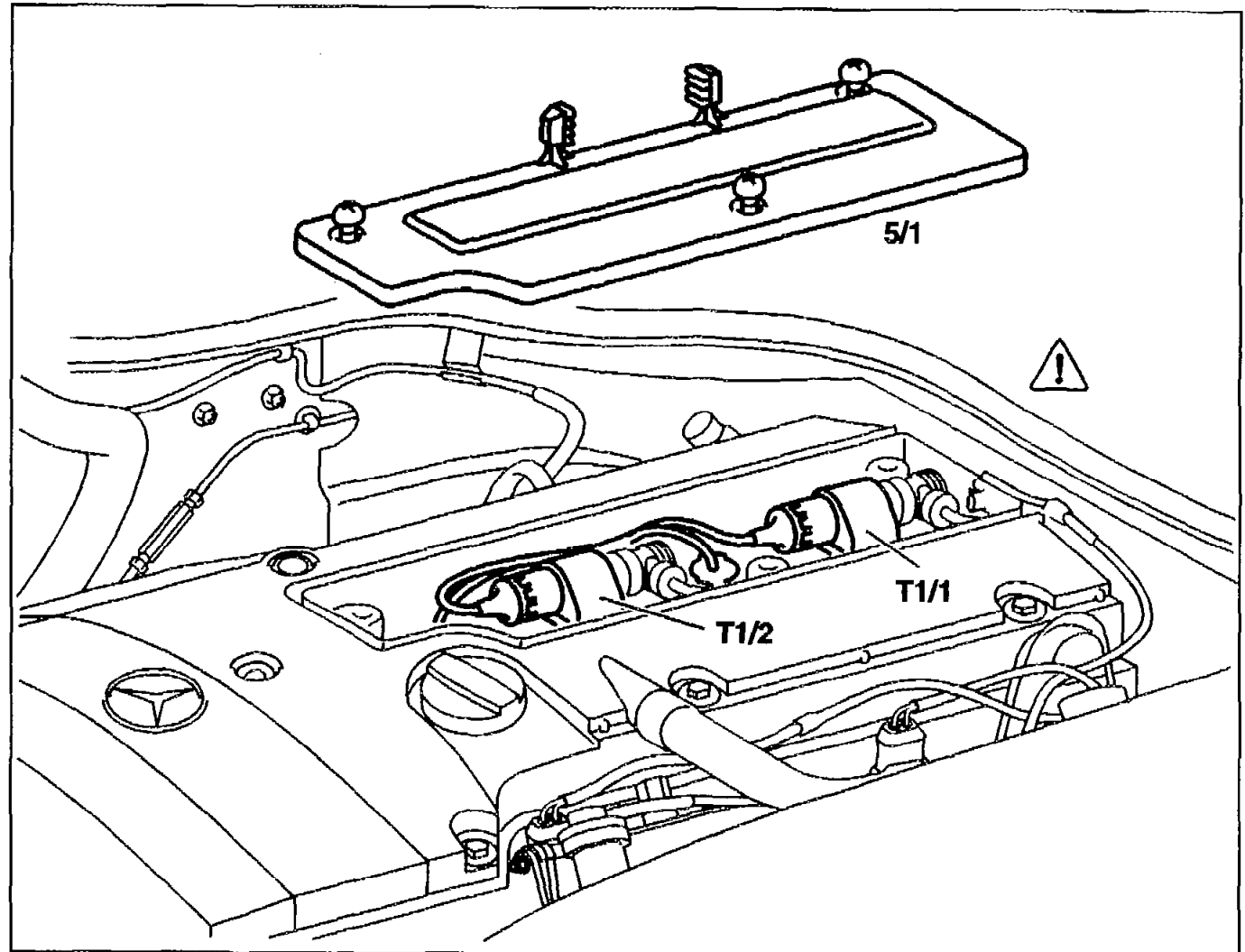






Fig. item, etc.	Work instructions		
 Danger!	Hazard from touching parts conducting high voltages	Do not touch parts conducting high voltages. Persons who are provided with electronic implants (heart pacemakers) must not carry out any work on the ignition system.	AS15.10-Z-0001-01A A17
	Notes re avoiding damage to ignition system	Engine 111 with PEC fuel injection and ignition system	AH15.10-P-0002-01B C17
		Engine 104, 111 with HFM-SFI fuel injection and ignition system Engine 104, 111, 112, 113, 119, 120 with ME-SFI fuel injection and ignition system	AH15.10-P-0002-01C D17 AH15.10-P-0002-01D E17