

07

AR15.12-P-2003G

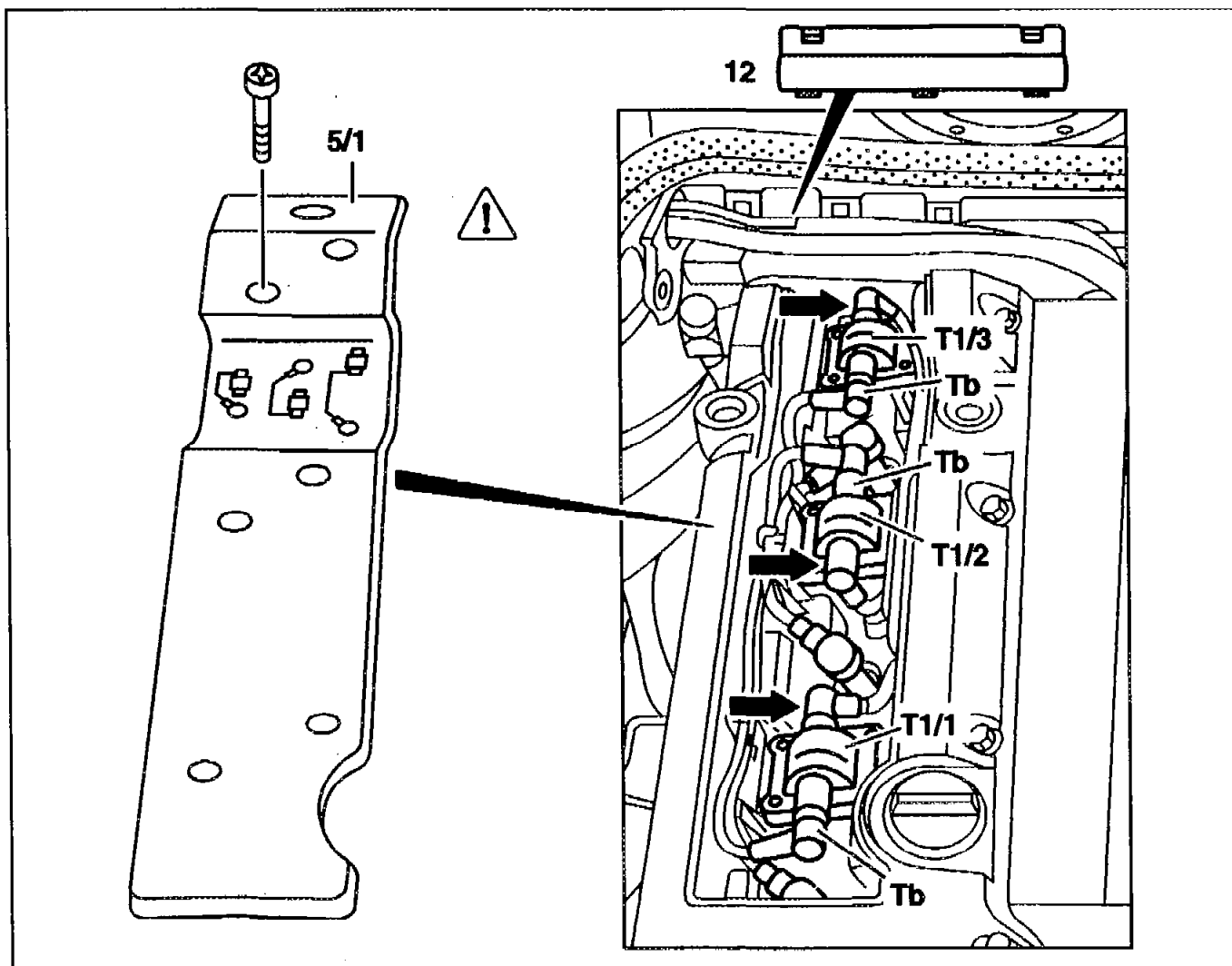
Removing and installing ignition coils

3.8.94

**ENGINE 104.94 /99, 111.920 /940 /941 /944 /960 /961 (except , 104.990)****Engine 104**

5/1 Cover of ignition cable duct

12 Cable duct, model 124

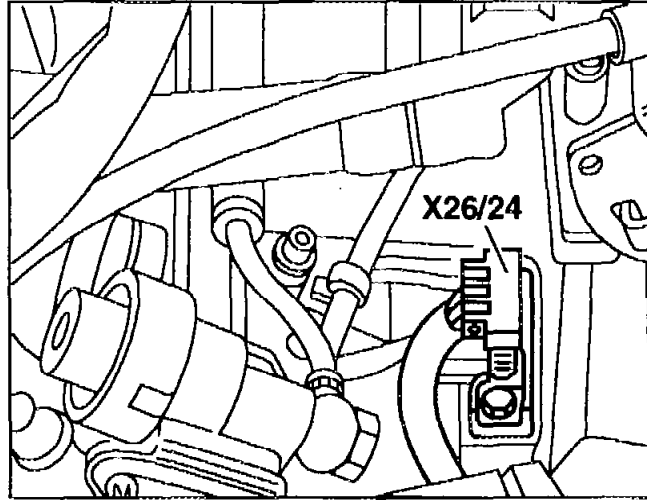




**Shown on engine 111**

**Left-hand illustration**

X26/24 Engine/ignition coil connector

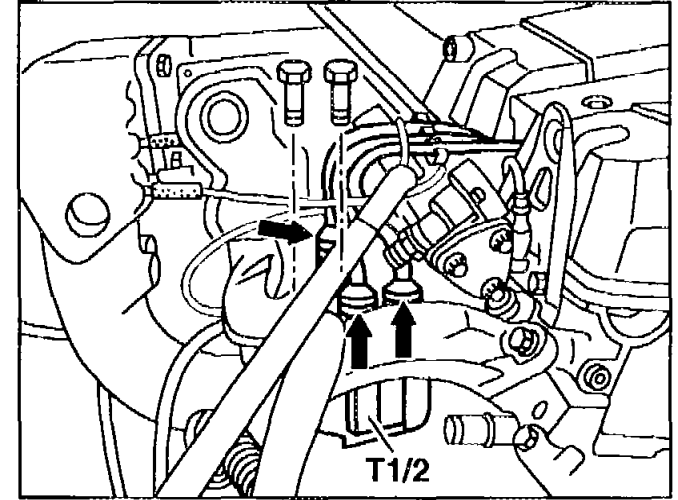


P15.12-0203-01

**Right-hand illustration**

T1/2 Double spark ignition coil 2  
2nd and 3rd cylinder  
(HFM-SFI/PEC)

Arrows Ignition cables



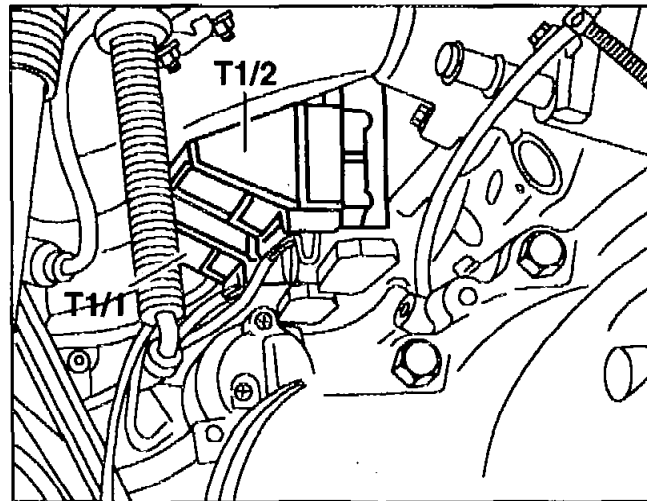
P15.12-0221-01

**Shown on engine 111**

**Left-hand illustration**

T1/1 Double spark ignition coil 1  
1st and 4th cylinder  
(HFM-SFI/PEC)

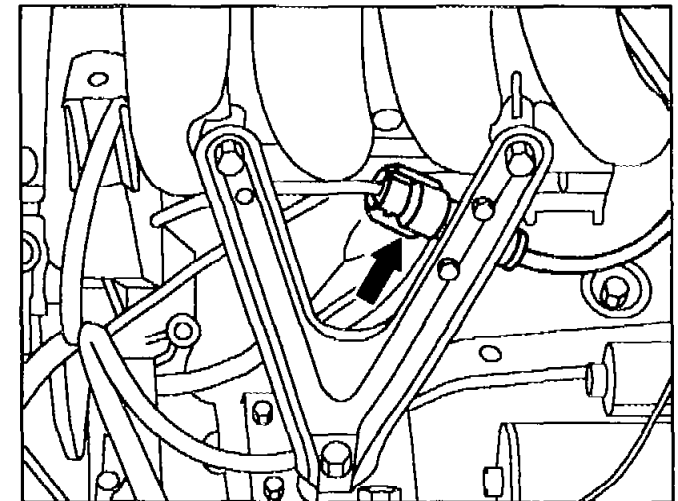
T1/2 Double spark ignition coil 2  
2nd and 3rd cylinder  
(HFM-SFI/PEC)



P15.12-0205-01

**Right-hand illustration**

Arrow Connector

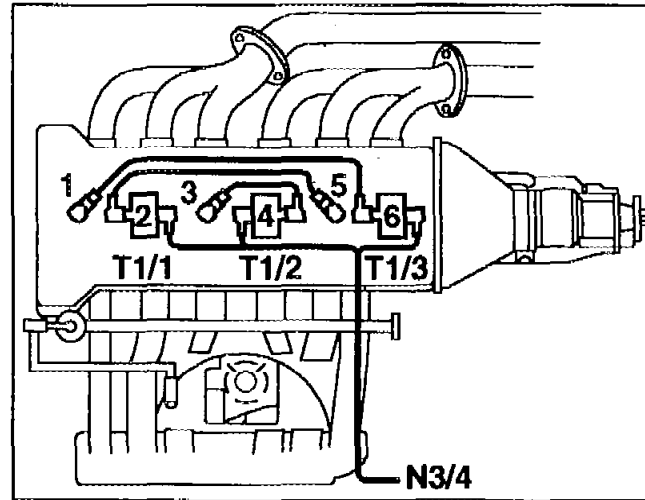


P15.12-0206-01

**Connecting diagram ignition coil/  
ignition cables**

**Left-hand illustration, engine 104**

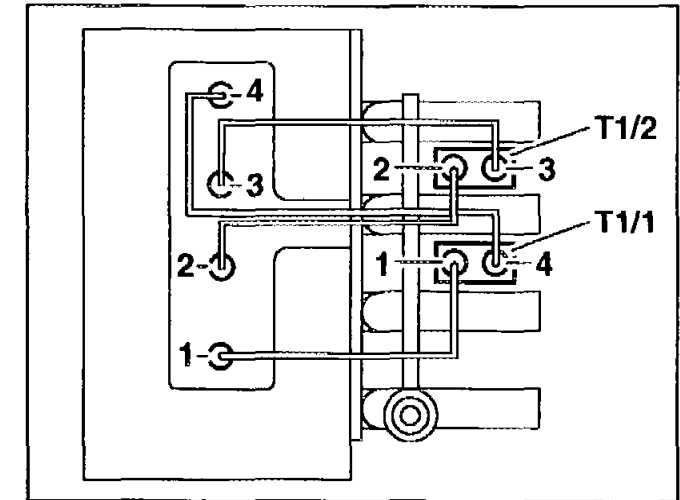
- T1/1 Ignition coil cylinders 2 and 5
- T1/2 Ignition coil cylinders 3 and 4
- T1/3 Ignition coil cylinders 1 and 6
- Firing order: 1-5-3-6-2-4



P15.12-0207-01

**Right-hand illustration, engine 111**

- T1/1 Ignition coil cylinders 1 and 4
- T1/2 Ignition coil cylinders 2 and 3
- Firing order: 1-3-4-2



P15.12-0208-01

| Fig. item, etc.         | Work instructions  |  |  |
|-------------------------|--|--|--|
| <p><b>⚠ Danger!</b></p> | <p>Hazard from touching parts conducting high voltages</p> | <p>Do not touch parts conveying high voltages. Persons who are provided with electronic implants (e.g. heart pacemakers) must not carry out any work on the ignition system.</p>   | <p>AS15.10-Z-0001-01A <b>A17</b></p>   |
| <p><b>ℹ</b></p>         | <p>Notes on avoiding damage to ignition system</p>         | <p>Engine 111<br/>with PEC fuel injection and ignition system</p> <p>Engine 104, 111<br/>with HFM-SFI fuel injection and ignition system</p> <p>Engine 104, 111, 112, 113, 119, 120<br/>with ME-SFI fuel injection and ignition system</p> | <p>AH15.10-P-0002-01B <b>C17</b></p> <p>AH15.10-P-0002-01C <b>D17</b></p> <p>AH15.10-P-0002-01D <b>E17</b></p> |



|            |                |  |                    |            |
|------------|----------------|--|--------------------|------------|
|            |                | Engine 103, 104, 119<br>with CFI fuel injection system           | AH15.10-P-0002-01E | <b>F17</b> |
|            |                | Engine 104, 119, 120<br>with LH-SFI fuel injection system        | AH15.10-P-0002-01F | <b>G17</b> |
| T1/1, T1/2 | Ignition coils | Unbolt circuits 1 and 15 to facilitate<br>installation of cables |                    |            |