

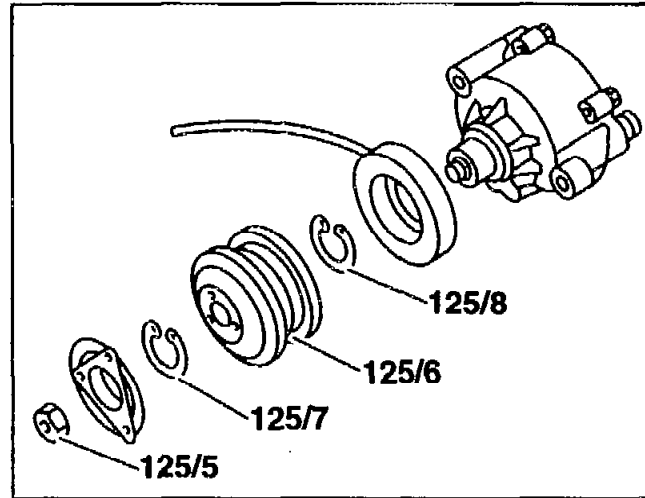


|    |                 |  |         |
|----|-----------------|--|---------|
| K7 | AR14.30-P-7264D | Removing and installing electromagnetic coupling | 22.6.94 |
|----|-----------------|--|---------|

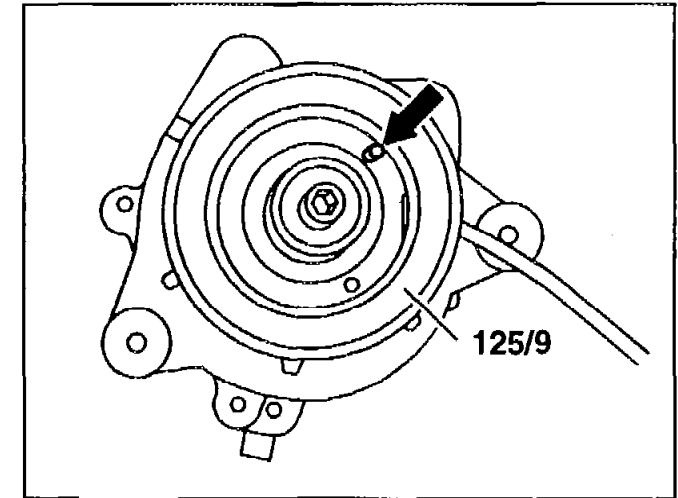
**ENGINE 104.941/942/944/992/994, 119.97, 120.98**  
**ENGINE 104.943/991**



- 125/5 Nut
- 125/6 Belt pulley
- 125/7 Circlip
- 125/8 Circlip
- 125/9 Electro-solenoid
- Arrow Locking pin



P14.30-2003-01



P14.30-0224-01

| Fig. item, etc. | Work instructions                    |   |  |
|-----------------|--------------------------------------|---|--|
| 125/6           | Remove air pump belt pulley, install | Engine 104<br>Engine 119, 120                 | AR14.30-P-7252D <b>H7</b><br>AR14.30-P-7252F |
| 125/9           | Solenoid                             | engage in locking pin (arrow) when installing |  |