



D7

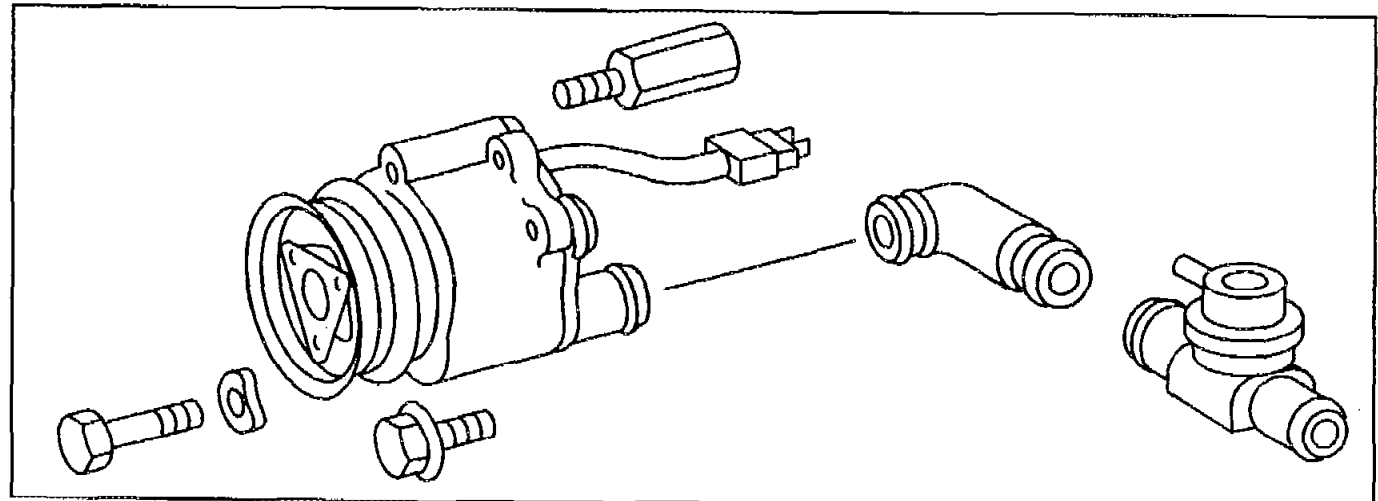
AR14.30-P-7251D

Removing and installing air pump

3.8.94

ENGINE 104.941 /942 /943 /944 /991 /992 /994**ENGINE 111.92 /94 /96**

(USA) (J)

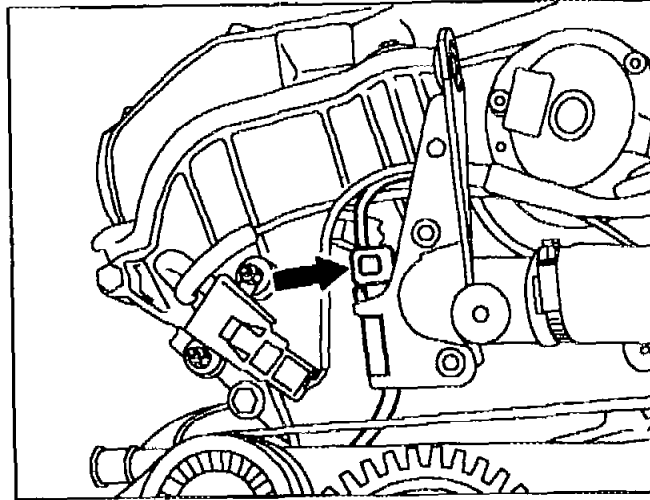
Models 124, 129, 140

P14.30-0215-04

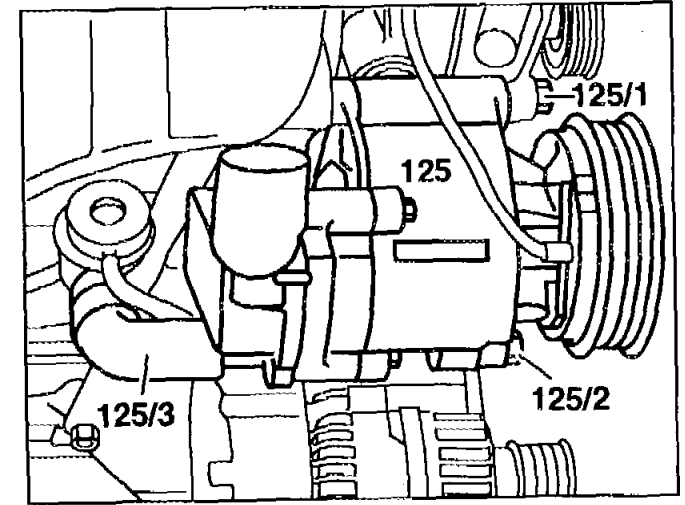


Models 124, 129, 140

- 125 Air pump
- 125/1 Bolt
- 125/2 Bolt
- 125/3 Shaped hose
- Arrow Connector coupling

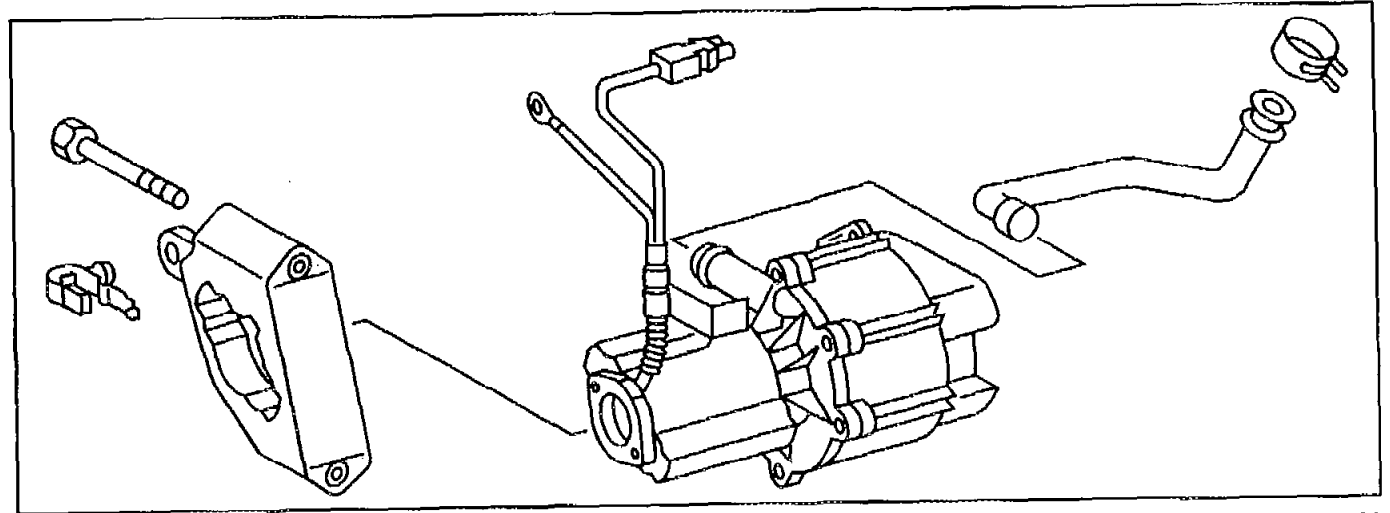


P14.30-0217-01



P14.30-0218-01

Models 202, 208

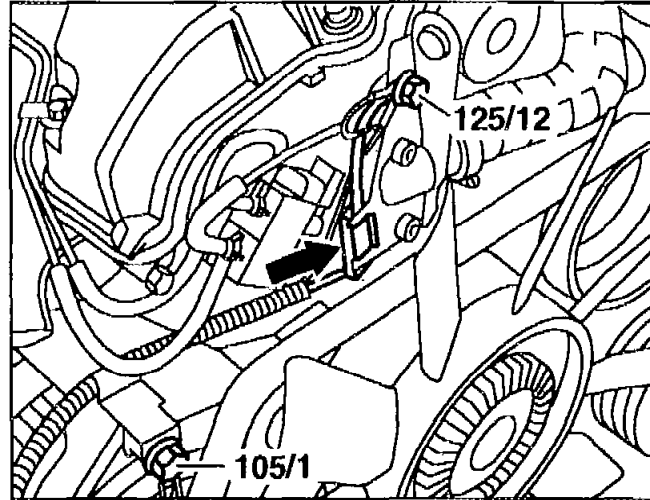


P14.30-0216-04

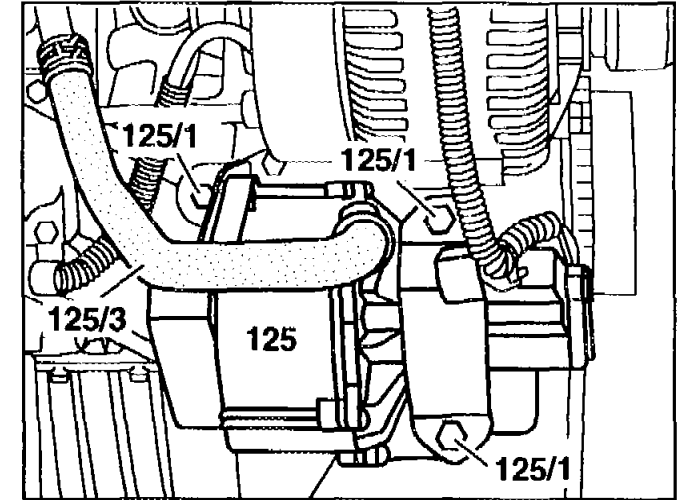


Models 202, 208, 210

- 105/1 Bolt
- 125 Air pump
- 125/1 Bolt
- 125/3 Shaped hose
- 125/12 Bolt
- Arrow Connector coupling

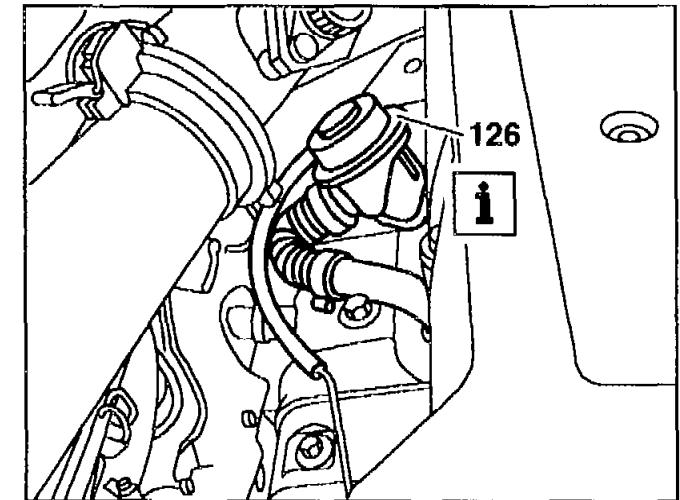


P14.30-0219-01



P14.30-0220-01





126 Air shut-off valve



P14.30-0221-01

	Removing, installing		
1.1	Remove air cleaner	Models 124, 129, 140	AR09.10-P-1050D B2



2.1	Remove poly V-belt	Models 124, 129, 140 See RI Engine Mechanicals II Op. no. 13-1200 engine 104 Op. no. 13-1202 engine 111	
3.1	Take off engine compartment panel	Models 202, 208 Model 210	AR61.20-P-1105A AR61.20-P-1105AB
4	Take off cover of coolant thermostat housing		
5	Remove air pump (125)	To do this, take off connector (arrow) and shaped hose (125/3), unscrew bolts (105/1, 125/1, 125/2, 125/12)  Installing: on model 202, 208 Examine rubber mounts, replace if necessary  When replacing the air pump on vehicles with engine 104 up to 08/94 and with engine 111  , also replace the air shut-off valve (126)	
 BT	Air pump discontinued		BT14.30-P-9404-01D P17
6	Install in reverse sequence		